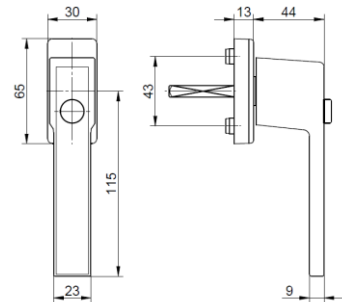


**EVIDENCE OF TESTING No 03-01932/22/Z00NZE**

MANUFACTURER: FKS OKUCIA OKIENNE I DRZWIOWE Sp. z o.o.
Bronikowo, ul. Morownicka 1C,
64-030 ŚMIGIEL

PRODUCT: Window handles FKS 1033D

TEST SAMPLE CONSTRUCTION/ DESCRIPTION: Window handles FKS 1033D made of aluminium, with a plastic rossete. Non-key-operated locking mechanism (PTO- push-to-open). Click mechanism - 90°



THE ITB BUILDING ELEMENTS ENGINEERING DEPARTMENT confirms the conduct of tests of the window handles above mentioned, according to PN-EN 13126-3:2012.

Scope of tests		Grade	Classification standard
Characteristic	Test methods		
Category of use	PN-EN 13126-3:2012	1	PN-EN 13126-3:2012
Durability		5/180	
Mass		- (no requirement)	
Fire resistance		0 (no requirement)	
Safety in use		1	
Corrosion resistance		3	
Security		1/1	
Application		3/C1	
Test sizes		- (no requirement)	

Classification of window handles (FKS 1033D):

1	5/180	-	0	1	3	1/1	3/C1	-
---	-------	---	---	---	---	-----	------	---

According to PN-EN 13126-3:2012

The test results and the detailed description of the tested elements are included in the test report No LZE01-01932/22/Z00NZE

Responsible for the tests:
Stefan Nowakowski Msc eng.

**Head of the ITB Building Elements
Engineering Department:**

Authorizing person:

Marzena Jakimowicz Msc eng.

Wojciech Woźniak Msc eng.

Poznan, 06.12.2022

Expiration date: 06.12.2025

* - The document also loses its validity if the assortment, component materials and / or technology change.

Test certificate No 01-01932/22/Z00NZE is a document confirming the obtained test results in the field of tested properties.

Placing the product on the market should be in accordance with applicable laws and regulations at the place of use.

The Evidence of testing is not equivalent to a certificate of compliance issued by the Certification Body.

