

# FKS



2020 / 2021

# HENDLES



FOR WINDOWS AND DOORS

Information about Company.....	Str.	2
--------------------------------	------	---

## WINDOW HANDLES

Technical information about window handles.....	Str.	7
1. Series of window handles .....	Str.	15
2. Object window handles - MA system .....	Str.	48
3. Balcony door handles .....	Str.	55
4. Handles for sliding systems .....	Str.	67
5. HST handles.....	Str.	71

## DOOR HANDLES

Technical information about door handles.....	Str.	81
6. Knobs for door profiles		
6.1 Sets with covered screws.....	Str.	97
6.2 Shared door handles and inserts patent signs .....	Str.	129
6.3 Sets of cast signs .....	Str.	141
6.4 Sets of door handles made of aluminium profile .....	Str.	175
7. Sets with full milled signs - SKG*** / SKG** .....	Str.	196
8. Anti-burglar door handles .....	Str.	218
9. Object door handles .....	Str.	237
10. Handles for internal doors .....	Str.	261
11. Handles for internal doors .....	Str.	269
MOUNTING ELEMENTS .....	Str.	277





## COMPANY HISTORY

The company FKS Okucia Okienne i Drzwiowe was established in 1998. From the very beginning, the company has been focused on high quality and speed of orders execution. The main speciality is production of aluminium handles for windows and doors. The efforts of both the management board and specially trained employees bring satisfaction to customers all over Europe and beyond. Several years of company history is a continuous development of the machinery, improving technology, and above all developing the range of products.

## CREATIVE POTENTIAL

Dynamic expansion of the company is a result of work of many teams of engaged involved employees who set themselves ambitious goals, are not afraid to take tough challenges, with determination strive to ensure that the final product meets all expectations of the most demanding customers, and at the same time gives satisfaction of a job well done.

The work of professionals is supported by advanced technology. Design office uses the software to create technical documentation, build three-dimensional shapes of new products and tools to implement them. Tool department, having specialized CNC machines, realizing ideas of designers and engineers, creates even the most complex production tooling. Production technologies use any automation solutions. We use industrial robots, obtaining repeatability, minimizing losses using computer control for entire production lines, e.g. in anodising department, and painting houses. We do not forget to care for the environment, hence continuous investment in these new technologies.



## OBJECTIVES OF ACTIVITY

Our primary goal is to ensure meeting any Customer expectations. We do this by continually studying needs of all Buyers; we guarantee the highest quality of products that are comprehensive, tailored to individual needs. We also provide technical consultancy for custom solutions. We are known for short delivery times and uncompromising business reliability.



# HANDLES

## PRODUCTION

The FKS company means modern production technologies. Our potential allows us to manufacture all products in a comprehensive manner. As a result, we have full control over the quality of products at every stage of production.

In our plant with an area of almost 14,000 sq. m. we employ about 250 workers, who during the year produce tens of millions of products.

We offer a range of products the wholly exhausts the needs of PVC, wooden and aluminium joinery manufacturers. Therefore, customers FKS is the largest global commercial centres in Europe, point locking hardware manufacturers and manufacturers of windows and doors. Export of our products accounts for about 70%.

## FOR WINDOWS AND DOORS

### QUALITY

FKS striving to provide quality products has been backed up by cooperation with Certification Bodies in the country and abroad, where we test our products to meet our Customers' expectations regarding sustainability and security. The technical level in our factory is overseen by the Quality Assurance System ISO 9001: 2008.

As a flexible and dynamically developing company, we can offer quality, speed and minimum bureaucracy.

### Certyfikat

Standard odniesienia: **ISO 9001:2015**  
 Numer rejestracyjny: 01 100 133/1977

Posiadać certyfikatu: **FKS**  
**FKS OKUCIA Okienne i Drzwiowe Sp. z o.o.**  
 Bromowice, ul. Mikromińska 1c  
 64-030 Śmigolec  
 Polska

Zakres ważności: projektowanie, produkcja i sprzedaż okuć okennych i drzwiowych z aluminium

Na podstawie audytu potwierdza się spełnienie wymagań normy ISO 9001:2015.

Okres ważności: Certyfikat jest ważny od 2017-08-04 do 2020-08-03. Pierwsza certyfikacja w 2008 r.

2017-08-02 *Grzegorz Gwałba*  
TÜV Rheinland Cert GmbH  
 Am Tuchholzer Stein 11100 Köln





www.tuv.com

## OUR PRODUCTS

– materials, protective coatings, colour palette

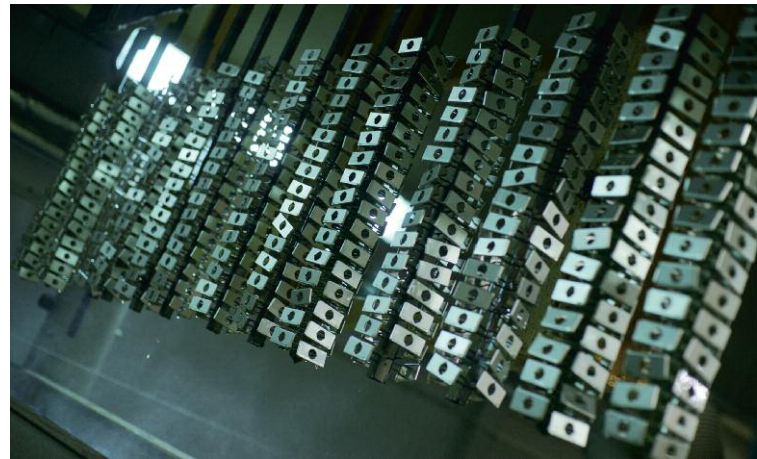
Acting many years on the market of building hardware, we strive to provide our customers with satisfaction from the quality and durability of our products. This is accomplished by using, i.a. material properties of which determine the durability and safety of products. They are also resistant to weather conditions, as well as heavy use.



In order to provide customers with even richer selection of colours, we also offer coating our door handles with water-borne coating method. Colours that we obtain are glossy metallic colours. The chemical composition of these paints is selected in a manner preventing the content of harmful substances. Their durability, resistance to external factors is very high; therefore they perfectly complement our range of colours.

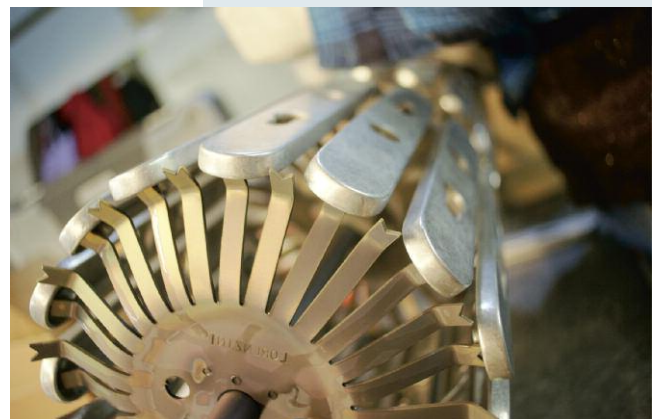
## ANODIZING

Another method of refining our products is anodizing. This is a process of electrolysis, which causes the phenomenon of oxidation, during which the connection of metal with oxygen occurs. The chemical reactions are taking place due to the use of current in a sulphuric acid environment. Articles thus prepared are gaining resistance to external factors such as moisture, as well as to the acidic sweat coming from hands. Mechanical strength is also increased, in case of damage to the anodized layer (e.g. by keys) there is no corrosion.



## ALUMINIUM PRODUCTS

The primary product groups are fittings made of aluminium. This aluminium is coming from reputable smelters, with a specific alloy composition. Resistance to external factors is increased using smooth, protective surfaces. The primary protective layer is a paint coating, made with powder technology / It involves spraying powder painted surfaces that thanks to static electricity is attracted to the coated object. This is followed by firing at the temperature of about 180 °C. The powder melts and firmly adheres to the metal surface.



## STAINLESS STEEL PRODUCTS

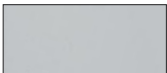

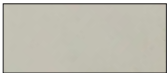

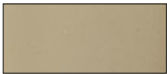
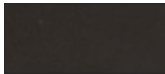


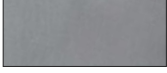
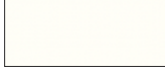

Our hardware is also a wide range of stainless steel products. The material we use is chrome-nickel steel with the designation 1.4301. It is characterized by stability, corrosion and acid resistance and resistance to abrasion. Its advantages are used in food industry it plays a great importance in medicine, is applicable wherever doing no harm to the environment and health matters. Stainless steel is free from corrosion. In exceptional situations tarnish may occur on surfaces, looking like rust, but they do not constitute any danger. To get rid of them, just use household cleaners for stainless steel.



## PVD BRASS FITTINGS

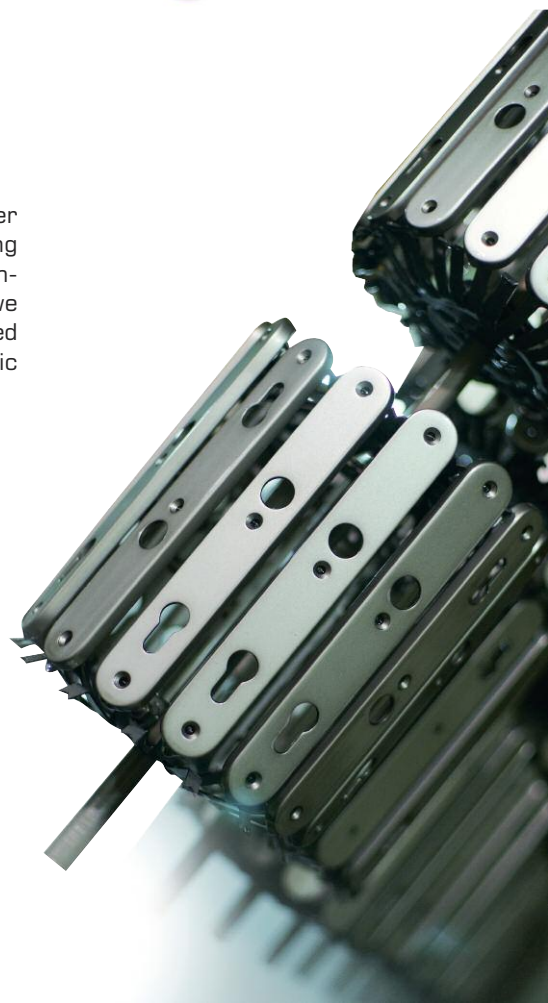
Brass is a noble material, known and respected for centuries. For production of our handles we use grips caps made in PVD technology, which allows obtaining shiny brass grips and caps. This is technology used to coat cutting tools, which is why our products please the eye for years; do not give up even to the toughest conditions. The outer surface is polished. Products delivered to customers are extra secured with special very durable coating. Handles of this type do not require special cleaning agents and maintenance.

## A set of primary colours

Anodised	Coating
	
F1	8022
	
F2	8077
	
F3	8019
	
F4	9016
	
F9	9010
	
	9001


With own production lines for powder coating and anodizing, and cooperating with many companies providing high-quality dyes for these technologies, we can offer a wide range of colours painted and anodized. Here we present basic palette of offered colours.

Note! The actual colours may vary.



**In the catalogue letter abbreviations of function names, varieties of products often occur. Here are the most important:**

- A** – In the catalogue letter abbreviations of function names, varieties of products often occur. Here are the most important:
- A** – symbol used in the name of door handles indicating the use of signs with covered screws
- BB** – hole for the traditional key
- D** – symbol used in the name of window handles indicating the handle locking function with the button
- K** – marking the distance of mounting lugs for door handles
- MA** – system of window handles
- O** – symbol used in the name of door handles indicating the use of rotary knob mounted on the sign
- PZ** – lock cylinder hole
- RZ** – hole of lock cylinder RZ type - round
- S** – symbol used in the name of door handles indicating the use of permanent knob mounted on the sign
- TBT** – function of window handles used to appropriate fittings of this type
- TS** – door thickness
- WC** – elements of handles to be uses in toilet doors
- ZA** – burglary protection of the lock cylinder



In order to ease the use of our catalogue, we have divided it into sections presenting a wide range of our products. The first of them relate to window handles, balcony door handles and sliding systems handles. The following sections are door handles divided according to the criterion of application. The last chapter are mounting elements that allow to expand the range of basic solutions presented in the catalogue.



# WINDOW HANDLES

**FKS**



# TECHNICAL INFORMATION



# HANDLES WINDOW



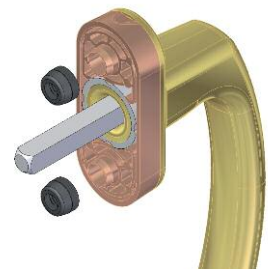
## PROVEN SOLUTIONS

Window handles manufactured by the FKS company are characterized by high quality and durability, which is obtained by using proven technology solutions, combined with the best materials.

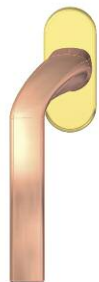
Handles cooperate with rosettes made of wear-resistant plastic. Element connecting the handle with rosette is a sleeve made of zinc alloy. Combination of all parts is performed with radial riveting technology, which ensures compliance with high durability expectations. It is a proven technology and the used by us from the very beginning of our existence on the market.



To meet the various expectations of our customers, we offer a variety of user options for window handles. Handles working with different windows of different functions require different types of positioning grips. In our products we can use a 45°, 90° and 180° catch. This is done by selecting the appropriate ZnAl alloy sleeve, which differ in the amount of cut-outs at the periphery.



In the case of windows with mounting holes of a larger diameter, we suggest the use of clip-ons on rosette pegs, increasing diameter from 10 mm to 12 mm.



Left handle



Right handle

The wide range of window handles covers also holds bent to the right or to the left. As handle bent to the right we understand a grip the handle of which is placed on the right side.



We offer handles with the possibility to place the Customer logo on the covering plate. The logo may have a three-dimensional, concave or convex form. We also perform the logo in a painted form.



# ZERTIFIKAT

Certificate

FKS Okucia Okienne i Drzwiove Sp. z o.o.  
Bronikowo, ul. Morownicka 1c  
64-030 Smigiel  
Polen/ Poland

wird für das Produkt/ for the product

**Fenstergriffe-  
Rastbare, verriegelbare und verschließbare Fenstergriffe/  
Window handles-  
Clickable and lockable window handles**  
DIN 18267:2015-02

mit der Produktbezeichnung/ with the product name

**Rastbarer Fenstergriff/ Clickable window handle**

Art. Nr.:/ Item no.: 1005

weitere Art. Nrn. siehe Produktmatrix/ additional product versions, see product matrix

gefertigt in der Fertigungsstätte/ manufactured in the production plant

FKS Okucia Okienne i Drzwiove Sp. z o.o.  
Bronikowo, ul. Morownicka 1c  
64-030 Smigiel  
Polen/ Poland

die Konformität mit dem Zertifizierungsprogramm Z0009 PIV CERT bestätigt  
und das Recht zum Führen des PIV CERT Zeichens/  
is in conformity with the certification program Z0009 PIV CERT and that the product is entitled to bear the symbol

in Verbindung mit der Registrierungsnummer 35V01 erteilt/  
in conjunction with the registration number 35V01

PIV CERT Zertifizierungsvereinigung/  
PIV CERT Association of certification  
Wallstraße 41, D-42551 Velbert

Unsere Zertifikat liegt der NO-Broschüre 35-1/3 und 35-1/3.1/17  
Our PIV certificate  
Bestätigung der Vereinigung (3-2018, Die Größe hat 33 9659 /  
No. and date is based on the program no.: 35-1/3 and 35-1/3.1/17 to PIV  
Produkt- /Produktcode 35 1/3, 7-11 und 65-85 923)



D. Löske, Dipl.-Ing. (FH)  
Leiter der Zertifizierungsstelle  
Director of the Certification Office  
15. März/ March 2018

PIV CERT Zertifizierungsvereinigung - Wallstraße 41 - 42551 Velbert



## Nachweis Baubeschläge, Beschläge für Fenster und Fenstertüren gemäß EN 13126-3 : 2011

Prüfbericht  
Nr. 14-001191-PR01  
(PB-G05-03-de-01)

Auftraggeber  
**FKS Okucia Okienne i Drzwiove Sp. Z o.o.  
Bronikowo, Morownicka 1C  
64-030 Smigiel  
Polen**

Grundlagen  
EN 13126-1 : 2011  
EN 13126-3 : 2011  
Normenref.  
EN 13126-3 : 2011

Entsprechende nationale Fä-  
sungen (z.B. DIN EN)  
Darstellung



Verwendungshinweise  
Dieser Prüfbericht dient zum  
Nachweis der Anforderungen  
Beschläge für Fenster und  
Fenstertüren gemäß EN 13126-  
3 : 2011.  
Die Bestimmungen aus  
EN 13126-3 : 2011 zur Kon-  
zeption und Konformitäts-  
bewertung der Bauprodukte  
sind zu beachten.

Produkt **drehbarer Fenstergriff mit Rastung**  
Bezeichnung **1010A-HF-02-MA33**  
Leistungselevante  
Produktdetails  
Ausführung **Fenstergriff mit Stahlvierkant,**  
Befestigungsabstand: **43 mm,**  
Art der Befestigung **verschraubt,**  
Anzahl der Befestigungsmittel **2 Stück,**  
Befestigungsmittel **M5 x 45 mm,**  
Griffdurchmesser **22 mm,**  
Grifflänge **139 mm,**  
Griffhöhe (B x L x H) **33 mm x 74 mm x 14 mm**  
Vierkantschliff **7mm,**  
Material Vierkantstb: **115MnPb30**

Besonderheiten **-**

Ergebnis

Klassifizierung gemäß EN 13126-3 : 2011

Ge- brauchs- kategorie	Dauer- funktions- tauglichkeit	Stoß- festigkeit	Feuerbe- stän- digkeit	Ge- brauchs- sicherheit	Korrosi- ons- bestän- digkeit	Schutz- wirkung	Anwen- dung	Prüf- größen
2	3/180	-	0	1	4	2/2	3/C1	-

Gültigkeit  
Die genannten Daten und Ein-  
zelergebnisse beziehen sich  
ausschließlich auf den geprüf-  
ten beschriebenen Produktkör-  
per. Die Klassifizierung gilt so  
lange das Produkt unverändert  
ist und die o.g. Grundlagen sich  
nicht geändert haben. Das Er-  
gebnis kann unter Beachtung  
entsprechender Festlegungen  
der Produktnorm in Eigenver-  
antwortung des Herstellers  
übertragen werden. Diese Prü-  
fungsbewertung ermöglicht kei-  
ne Aussage über weitere  
Leistungs- und qualitätsbestim-  
mende Eigenschaften der vor-  
genannten Konstruktion; insbe-  
sondere Witterungs- und Alter-  
ungsaspekte wurden nicht be-  
rücksichtigt.  
Veröffentlichungshinweise  
Es gilt das 8-Merkblatt "Wer-  
bung mit 8-  
Prüfakzessionen" Das  
Deckblatt kann als Kurzfassung  
verwendet werden.  
Der Nachweis umfasst insge-  
samt 40 Seiten.

ift Rosenheim  
21.05.2014

*K. Oettinger*  
Konrad Oettinger, Dipl.-Ing. (FH)  
Prüfungsleiter  
Sicherheitsfachkraft

Alexander Sauer, Dipl.-Ing. (FH)  
Produktingenieur  
Bauteile

*Alexander Sauer*

ift Rosenheim GmbH

Gevelhofstr.

St. Josten, Pilsen

Prüf-Strich, Garmisch

Theodor Graf Str. 7-9

D-83020 Rosenheim

AZ Rosenheim: 140 14143

Starkwies Rosenheim

Str. 1287-1302, D-83023 ROSENHEIM

089 458 180, 089 458 180-1020

www.ift-rosenheim.de

Stz. 80220 Rosenheim

AZ Rosenheim: 140 14143

Starkwies Rosenheim

Str. 1287-1302, D-83023 ROSENHEIM

089 458 180, 089 458 180-1020

www.ift-rosenheim.de

Anerkanntes Institut

Verfahren nach DIN

ISO 9001:2015

ISO 14001:2015

ISO 45001:2018

ISO 9001:2015

ISO 14001:2015

ISO 45001:2018

ENASS

ENASS

ENASS

ENASS

ENASS

ENASS

ENASS

ENASS

**SKG-IKOB PRODUCTCERTIFICATE**  
441.861.01

Date of issue: 22-02-2019

**SKG-IKOB**  
Certificate

**SKG**

Certificate holder  
FKS Okucia Okienne i Drzwiowe Sp zoo  
Bronikowo, Morownicka 1c  
P64-030 Śmigiel  
T: + 48 (0) 8551 88 024  
E: fks@home.pl  
I: www.fks.home.pl

**Declaration of SKG-IKOB**  
This certificate has been issued on the basis of BRL 3104 in accordance with the SKG-IKOB Regulations for Attestation, Certification and Inspection.

SKG-IKOB declares that the by or on behalf of the certificate owner produced building hardware product:

**window handle**  
delivered under logo / brand:

**FKS**  
delivered under type- and / or article number:

**TYP 10xx A**  
meets class 2 STER according BRL 3104 and NEN 5089: 2009 if the product is indelibly marked with the SKG mark, as shown above.

For SKG-IKOB



ir. H.A.J. van Dartel  
Certification manager

Verify at [www.sterrenkeizer.nl](http://www.sterrenkeizer.nl) if this certificate is still valid and actual.  
This certificate contains 2 pages.

SKG-IKOB Certificate  
Poppenbouwing 56  
4191 NZ Geertruidenberg

Postbus 202  
4190 CE Geertruidenberg

T 088-2440100  
info@skgikob.nl  
www.skgikob.nl

**SKG-IKOB PRODUCTCERTIFICATE**  
441.862.01

Date of issue: 22-02-2019

**SKG-IKOB**  
Certificate

**SKG**

Certificate holder  
FKS Okucia Okienne i Drzwiowe Sp zoo  
Bronikowo, Morownicka 1c  
P64-030 Śmigiel  
T: + 48 (0) 8551 88 024  
E: fks@home.pl  
I: www.fks.home.pl

**Declaration of SKG-IKOB**  
This certificate has been issued on the basis of BRL 3104 in accordance with the SKG-IKOB Regulations for Attestation, Certification and Inspection.

SKG-IKOB declares that the by or on behalf of the certificate owner produced building hardware product:

**window handle**  
delivered under logo / brand:

**FKS**  
delivered under type- and / or article number:

**TYP 10xx A 100N**  
meets class 3 STER according BRL 3104 and NEN 5089: 2009 if the product is indelibly marked with the SKG mark, as shown above.

For SKG-IKOB



ir. H.A.J. van Dartel  
Certification manager

Verify at [www.sterrenkeizer.nl](http://www.sterrenkeizer.nl) if this certificate is still valid and actual.  
This certificate contains 2 pages.

 **INSTYTUT TECHNIKI BUDOWLANEJ**  
ODDZIAŁ WIELKOPOLSKI

LABORATORIUM OKUĆ I ŚLUSARKI BUDOWLANEJ (LOW ITB)  
61-819 Poznań, ul. S. Taczaka 12  
Tel. 61 853-76-29 Fax 61 853-78-33 e-mail: laboratorium@itb.poznan.pl

WYCIĄG Z RAPORTU Z BADAŃ nr LOW01-2241/14/Z00OWN.

### Świadectwo Badań

Laboratorium LOW ITB przeprowadziło badania:

**Kłameczek okiennych FKS**

przedłożonych przez Firmę:

**FKS Okucia Okienne i Drzwiowe Sp. z o.o.**  
**ul. Morownicka 1C**  
**Bronikowo 64-030 Śmigiel**

#### Klasyfikacja kłameczek okiennych FKS

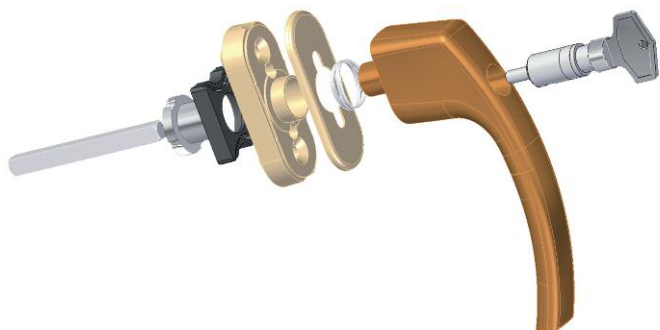
Kłameczka 1005 (bez blokady)	2	5/180	-	0	1	3	0	3/C1	-
Kłameczka 1005D (z blokadą z przyciskiem)	2	5/180	-	0	1	3	1/1	3/C1	-
Kłameczka 1005A (z blokadą kluczową)	2	5/180	-	0	1	3	1/2	3/C1	-
Kłameczka 1005A 100N (z blokadą kluczową)	2	5/180	-	0	1	3	2/2	3/C1	-
Kłameczka 1005 TBT (z blokadą kluczową)	2	5/180	-	0	1	3	1/2	3/C1	-

zgodnie z PN-EN 13126-3:2012

Poznań, 15 grudnia 2014 r.

# HANDLES

## 100Nm



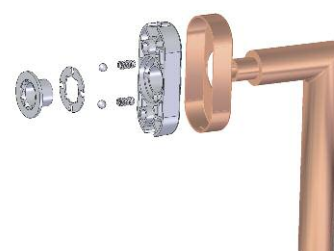
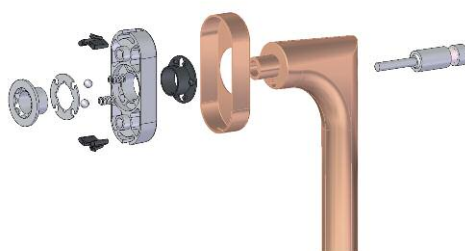
Particularly noteworthy is the group handles marked 100 Nm, which are equipped with key cylinder of increased strength, as well as a metal rosette what sets them apart. All of the elements, apart from the key cylinder, provider of which is a worldwide known manufacturer, we make ourselves. Thanks to this we have a complete control over quality of our products. Details are on a current basis undergoing strength and durability checks in the Quality Control Department, where from each batch random sample is taken.

# HANDLES

## MA

An interesting alternative to standard window handles are products of MA system, which in addition to above-average durability also offer a very interesting modern look. Aesthetics refer to the system of door handles 1010 type etc. or handles of 35A, R32 system.

They provide an excellent complement to the design of offices, public buildings. Their specific construction and technical solutions give users a sense of security and reliability that make them more attractive.

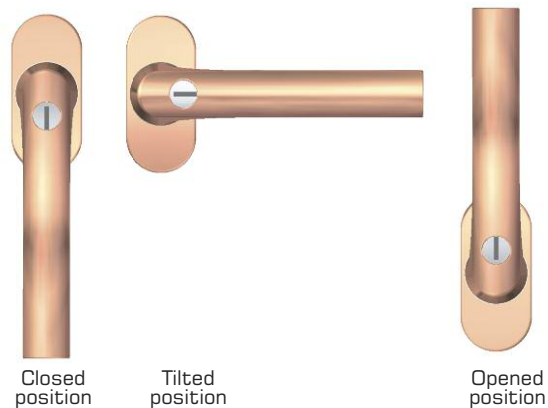


Construction of the MA system window handles allows using them in rooms with increased requirements for safety and durability. Each of these handles is equipped with a ball mechanism for positioning the handle. Rosettes of handles with burglary protection are made of ZnAl alloy. In addition to the basic version, we also have a TBT version.



# HANDLES TBT

One of the more interesting solutions from window handles is the TBT system handle -Tilt Before Turn, meaning tilt before opening, designed for windows with envelope ironwork TBT. Its action allows tilting the window by turning the handle to a horizontal position, even in case when the lock is blocked. Opening the window takes place after turning the handle to the vertical position after unlocking the lock with a key. These door handles allow easy ventilation of the rooms while protecting against accidental opening. The range covers handles of TBT type performed both on plastic rosettes, as well as on object handles MA system rosettes.





With a wide range of machinery and expertise, we are able to provide Customers with implementation of their own designs. We individually consider each set topic, seeking to ensure satisfaction of Clients. Among the wide range of products, we also supply handles to roof windows, handles for new varieties of windows point locking mechanisms. We also make handles grips, which are reserved exclusively by recipients.

## SPECIAL PROJECTS



Apart from the basic palette of colours performed both in powder coating technology, and paint and anodising, we can offer execution in colours that the Customer needs. The standard of special versions is e.g. introduction of different length for spindle, bolts. The Buyer may also decide on the packaging a labelling of products.

WINDOW HANDLES SERIES



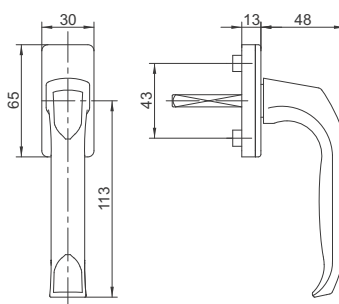


1003

Aluminium handle, plastic, rectangular rosette with handle colour plate masking screws, square spindle, plugs 10 mm diameter



Latch	Spindle length	Colour								
		9016	8019	8077	F1	F4	F9			
45°	35	101-00001	101-00002	101-00337	101-00003	101-00004	101-00005			
	37	101-00006	101-00007	101-00338	101-00008	101-00009	101-00010			
	40	101-00011	101-00012	101-00339	101-00013	101-00014	101-00015			
	45	101-00016	101-00017	101-00340	101-00018	101-00019	101-00020			
90°	35	101-00021	101-00022	101-00341	101-00023	101-00024	101-00025			
	37	101-00026	101-00027	101-00342	101-00028	101-00029	101-00030			
	40	101-00031	101-00032	101-00343	101-00033	101-00034	101-00035			
	45	101-00036	101-00037	101-00344	101-00038	101-00039	101-00040			

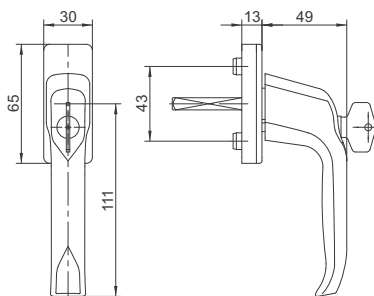


1003A

Aluminium handle with key cylinder, plastic, rectangular rosette with handle colour plate masking screws, square spindle, plugs 10 mm diameter



Latch	Spindle length	Colour								
		9016	8019	8077	F1	F4	F9			
45°	35	101-00041	101-00042	101-00345	101-00043	101-00044	101-00045			
	37	101-00046	101-00047	101-00346	101-00048	101-00049	101-00050			
	40	101-00051	101-00052	101-00347	101-00053	101-00054	101-00055			
	45	101-00056	101-00057	101-00348	101-00058	101-00059	101-00060			
90°	35	101-00061	101-00062	101-00349	101-00063	101-00064	101-00065			
	37	101-00066	101-00067	101-00350	101-00068	101-00069	101-00070			
	40	101-00071	101-00072	101-00351	101-00073	101-00074	101-00075			
	45	101-00076	101-00077	101-00352	101-00078	101-00079	101-00080			

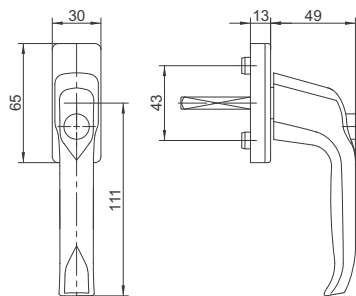


**1003D**

Aluminium handle with a handle colour button in door handle colour, plastic, rectangular rosette with handle colour plate masking screws, square spindle, plugs 10 mm diameter



Latch	Spindle length	Colour											
		9016	8019	8077	F1	F4	F9						
45°	35	101-00081	101-00082	101-00353	101-00083	101-00084	101-00085						
	37	101-00086	101-00087	101-00354	101-00088	101-00089	101-00090						
	40	101-00091	101-00092	101-00355	101-00093	101-00094	101-00095						
	45	101-00096	101-00097	101-00356	101-00098	101-00099	101-00100						
90°	35	101-00101	101-00102	101-00357	101-00103	101-00104	101-00105						
	37	101-00106	101-00107	101-00358	101-00108	101-00109	101-00110						
	40	101-00111	101-00112	101-00359	101-00113	101-00114	101-00115						
	45	101-00116	101-00117	101-00360	101-00118	101-00119	101-00120						

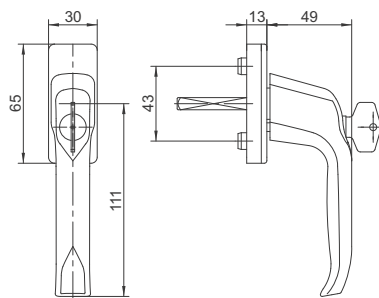


**1003A TBT**

Aluminium handle with key cylinder, plastic, rectangular rosette with handle colour plate masking screws, square spindle, plugs 10 mm diameter



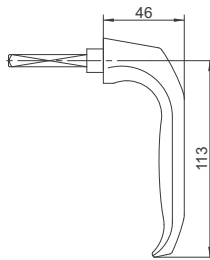
Latch	Spindle length	Colour											
		9016	8019	8077	F1	F4	F9						
90°	35	101-00141	101-00142	101-00361	101-00143	101-00144	101-00145						
	37	101-00146	101-00147	101-00362	101-00148	101-00149	101-00150						
	40	101-00151	101-00152	101-00363	101-00153	101-00154	101-00155						
	45	101-00156	101-00157	101-00364	101-00158	101-00159	101-00160						



**1003**  
pull-out

Aluminium handle with a square spindle

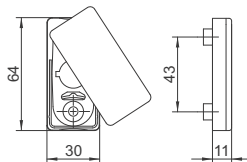
Spindle length	Colour									
	9016	8019	8077	F1	F4	F9				
35	101-00161	101-00162	101-00365	101-00163	101-00164	101-00165				
37	101-00166	101-00167	101-00366	101-00168	101-00169	101-00170				
40	101-00171	101-00172	101-00367	101-00173	101-00174	101-00175				
45	101-00176	101-00177	101-00368	101-00178	101-00179	101-00180				



**Covered rectangular rosette**

Plastic rectangular rosette with a plate masking screws

Colour									
9016	8019	8077	F1	F4	F9				
114-00009	114-00010	114-00030	114-00012	114-00015	114-00016				



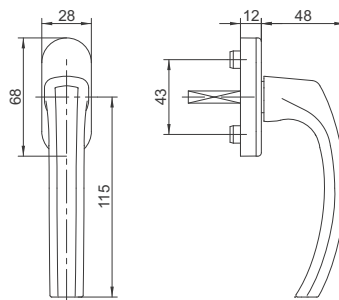
1005

Aluminium handle, plastic, oval rosette with handle colour plate masking screws, square spindle, plugs 10 mm diameter

**FTH**<sup>®</sup>  
PN-EN 13126-3:2012



Latch	Spindle length	Colour									
		9016	8019	9001	8077	F1	F2	F3	F4	F9	
45°	35	102-00001	102-00002	102-00003	102-00605	102-00004	102-00005	102-00006	102-00007	102-00008	
	37	102-00009	102-00010	102-00011	102-00717	102-00012	102-00013	102-00014	102-00015	102-00016	
	40	102-00017	102-00018	102-00019	102-00718	102-00020	102-00021	102-00022	102-00023	102-00024	
	45	102-00025	102-00026	102-00027	102-00719	102-00028	102-00029	102-00030	102-00031	102-00032	
90°	35	102-00033	102-00034	102-00035	102-00720	102-00036	102-00037	102-00038	102-00039	102-00040	
	37	102-00041	102-00042	102-00043	102-06567	102-00044	102-00045	102-00046	102-00047	102-00048	
	40	102-00049	102-00050	102-00051	102-00721	102-00052	102-00053	102-00054	102-00055	102-00056	
	45	102-00057	102-00058	102-00059	102-00722	102-00060	102-00061	102-00062	102-00063	102-00064	

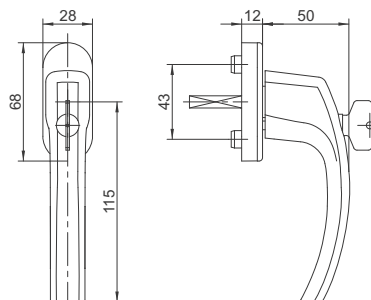


1005A

Aluminium handle with key cylinder, plastic, oval rosette with handle colour plate masking screws, square spindle, plugs 10 mm diameter

**FTH**<sup>®</sup>  
PN-EN 13126-3:2012

Latch	Spindle length	Colour									
		9016	8019	9001	8077	F1	F2	F3	F4	F9	
45°	35	102-00065	102-00066	102-00067	102-00661	102-00068	102-00069	102-00070	102-00071	102-00072	
	37	102-00073	102-00074	102-00075	102-00723	102-00076	102-00077	102-00078	102-00079	102-00080	
	40	102-00081	102-00082	102-00083	102-00724	102-00084	102-00085	102-00086	102-00087	102-00088	
	45	102-00089	102-00090	102-00091	102-00725	102-00092	102-00093	102-00094	102-00095	102-00096	
90°	35	102-00097	102-00098	102-00099	102-06644	102-00100	102-00101	102-00102	102-00103	102-00104	
	37	102-00105	102-00106	102-00107	102-06610	102-00108	102-00109	102-00110	102-00111	102-00112	
	40	102-00113	102-00114	102-00115	102-00726	102-00116	102-00117	102-00118	102-00119	102-00120	
	45	102-00121	102-00122	102-00123	102-00727	102-00124	102-00125	102-00126	102-00127	102-00128	

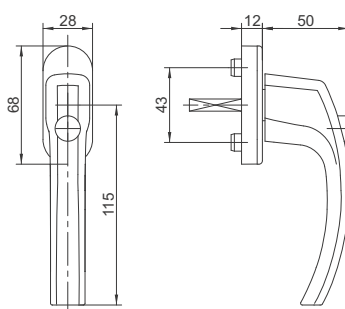


1005D

Aluminium handle with a button in door handle colour, plastic, oval rosette with handle colour plate masking screws, square spindle, plugs 10 mm diameter



Latch	Spindle length	Colour										
		9016	8019	9001	8077	F1	F2	F3	F4	F9		
45°	35	102-00129	102-00130	102-00131	102-00612	102-00132	102-00133	102-00134	102-00135	102-00136		
	37	102-00137	102-00138	102-00139	102-00728	102-00140	102-00141	102-00142	102-00143	102-00144		
	40	102-00145	102-00146	102-00147	102-00729	102-00148	102-00149	102-00150	102-00151	102-00152		
	45	102-00153	102-00154	102-00155	102-00730	102-00156	102-00157	102-00158	102-00159	102-00160		
90°	35	102-00161	102-00162	102-00163	102-00731	102-00164	102-00165	102-00166	102-00167	102-00168		
	37	102-00169	102-00170	102-00171	102-00732	102-00172	102-00173	102-00174	102-00175	102-00176		
	40	102-00177	102-00178	102-00179	102-00733	102-00180	102-00181	102-00182	102-00183	102-00184		
	45	102-00185	102-00186	102-00187	102-00734	102-00188	102-00189	102-00190	102-00191	102-00192		



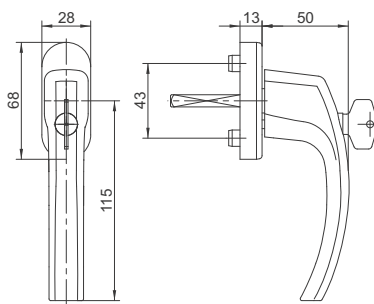
1005A 100N

Aluminium handle with key cylinder, ZnAlalloy, oval rosette with handle colour plate masking screws, square spindle, plugs 10 mm diameter



EN 13126-3:2011

Latch	Spindle length	Colour										
		9016	8019	9001	8077	F1	F2	F3	F4	F9		
45°	35	102-00257	102-00258	102-00259	102-00735	102-00260	102-00261	102-00262	102-00263	102-00264		
	37	102-00265	102-00266	102-00267	102-00736	102-00268	102-00269	102-00270	102-00271	102-00272		
	40	102-00273	102-00274	102-00275	102-00737	102-00276	102-00277	102-00278	102-00279	102-00280		
	45	102-00281	102-00282	102-00283	102-00738	102-00284	102-00285	102-00286	102-00287	102-00288		
90°	35	102-00289	102-00290	102-00291	102-00739	102-00292	102-00293	102-00294	102-00295	102-00296		
	37	102-00297	102-00298	102-00299	102-00740	102-00300	102-00301	102-00302	102-00303	102-00304		
	40	102-00305	102-00306	102-00307	102-00741	102-00308	102-00309	102-00310	102-00311	102-00312		
	45	102-00313	102-00314	102-00315	102-00742	102-00316	102-00317	102-00318	102-00319	102-00320		

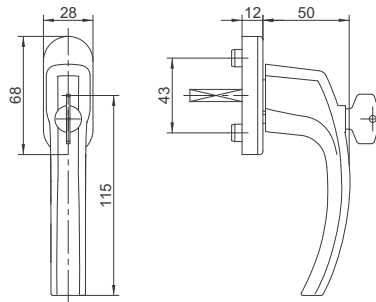


**1005A TBT**

Aluminium handle with key cylinder, plastic, oval rosette with handle colourplate masking screws, square spindle, plugs 10 mm diameter

**FH**<sup>®</sup>  
PN-EN 13126-3:2012

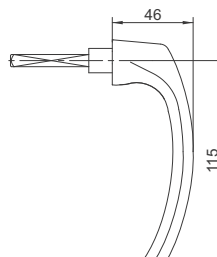
Latch	Spindle length	Colour									
		9016	8019	9001	8077	F1	F2	F3	F4	F9	
90°	35	102-00225	102-00226	102-00227	102-00743	102-00228	102-00229	102-00230	102-00231	102-00232	
	37	102-00233	102-00234	102-00235	102-00744	102-00236	102-00237	102-00238	102-00239	102-00240	
	40	102-00241	102-00242	102-00243	102-00745	102-00244	102-00245	102-00246	102-00247	102-00248	
	45	102-00249	102-00250	102-00251	102-00746	102-00252	102-00253	102-00254	102-00255	102-00256	



**1005  
pull-out**

Aluminium handle with a square spindle

Spindle length	Colour									
	9016	8019	9001	8077	F1	F2	F3	F4	F9	
35	102-00321	102-00322	102-00323	102-00747	102-00324	102-00325	102-00326	102-00327	102-00328	
37	102-00329	102-00330	102-00331	102-00748	102-00332	102-00333	102-00334	102-00335	102-00336	
40	102-00337	102-00338	102-00339	102-00749	102-00340	102-00341	102-00342	102-00343	102-00344	
45	102-00345	102-00346	102-00347	102-00750	102-00348	102-00349	102-00350	102-00351	102-00352	

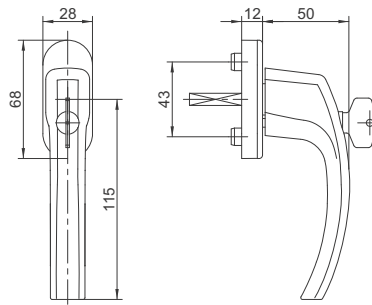


1005A SKG\*\*

Aluminium grip with a lock cylinder, an oval plastic alloy rosette with a plate in the colour of the grip masking the screws, square spindle, plugs 10 mm diameter. The product is SKG\*\* certified



Latch	Spindle length	Colour									
		9016	8019	9001	8077	F1	F2	F3	F4	F9	
45°	35	102-00768	102-00769	102-00770	102-00771	102-00772	102-00773	102-00774	102-00775	102-00776	
	37	102-00777	102-00778	102-00779	102-00780	102-00781	102-00782	102-00783	102-00784	102-00785	
	40	102-00786	102-00787	102-00788	102-00789	102-00790	102-00791	102-00792	102-00793	102-00794	
	45	102-00795	102-00796	102-00797	102-00798	102-00799	102-00800	102-00801	102-00802	102-00803	
90°	35	102-00804	102-00805	102-00806	102-00807	102-00808	102-00809	102-00810	102-00811	102-00812	
	37	102-06721	102-00813	102-00814	102-00815	102-00816	102-00817	102-00818	102-00819	102-00820	
	40	102-06594	102-06595	102-06596	102-00821	102-06593	102-00822	102-00823	102-00824	102-00825	
	45	102-00826	102-00827	102-00828	102-00829	102-00830	102-00831	102-00832	102-00833	102-00834	

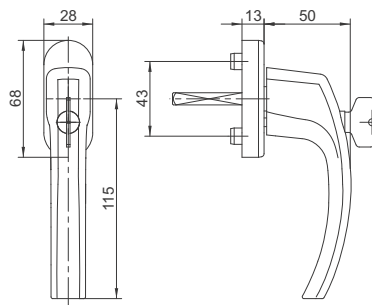


1005A SKG\*\*\*

Aluminium grip with a lock cylinder, an oval ZnAl alloy rosette with a plate in the colour of the grip masking the screws, square spindle, plugs 10 mm diameter. The product is SKG\*\*\* certified



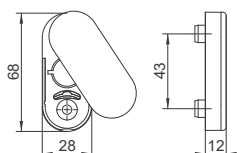
Latch	Spindle length	Colour									
		9016	8019	9001	8077	F1	F2	F3	F4	F9	
45°	35	102-00835	102-00836	102-00837	102-00838	102-00839	102-00840	102-00841	102-00842	102-00843	
	37	102-00844	102-00845	102-00846	102-00847	102-00848	102-00849	102-00850	102-00851	102-00852	
	40	102-00853	102-00854	102-00855	102-00856	102-00857	102-00858	102-00859	102-00860	102-00861	
	45	102-00862	102-00863	102-00864	102-00865	102-00866	102-00867	102-00868	102-00869	102-00870	
90°	35	102-00871	102-00872	102-00873	102-00874	102-00875	102-00876	102-00877	102-00878	102-00879	
	37	102-00485	102-00486	102-00487	102-00880	102-00488	102-00489	102-00490	102-00491	102-00492	
	40	102-00881	102-00882	102-00883	102-00884	102-00885	102-00886	102-00887	102-00888	102-00889	
	45	102-00890	102-00891	102-00892	102-00893	102-00894	102-00895	102-00896	102-00897	102-00898	



Covered oval rosette

Plastic oval rosette with a plate masking screws

Colour									
9016	8019	9001	8077	F1	F2	F3	F4	F9	
114-00001	114-00002	114-00003	114-00031	114-00004	114-00005	114-00006	114-00007	114-00008	

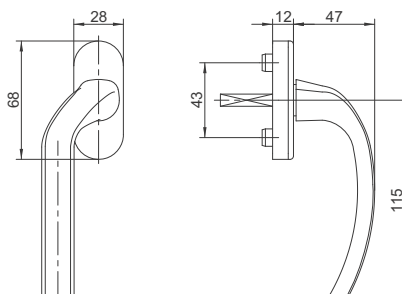


1005V L

Bent left aluminium handle, plastic, oval rosette with handle colour plate masking screws, square spindle, plugs 10 mm diameter



Spindle	Spindle length	Colour								
		9016	8019	8077	F1	F9				
7 mm	40	102-00377	102-00378	102-00752	102-00379	102-00751				
8 mm	40	102-00380	102-00381	102-00754	102-00382	102-00753				



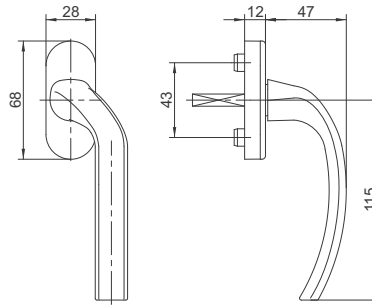


**1005V R**

Bent right aluminium handle, plastic, oval rosette with handle colour plate masking screws, square spindle, plugs 10 mm diameter



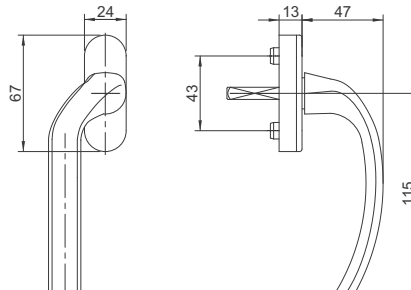
Spindle	Spindle length	Colour									
		9016	8019	8077	F1	F9					
7 mm	40	102-00383	102-00384	102-00756	102-00385	102-00755					
8 mm	40	102-00386	102-00387	102-00758	102-00388	102-00757					



**1005V L-1**

Bent left aluminium handle, plastic, oval 24 mm rosette with handle colour plate masking screws, square spindle, plugs 10 mm diameter

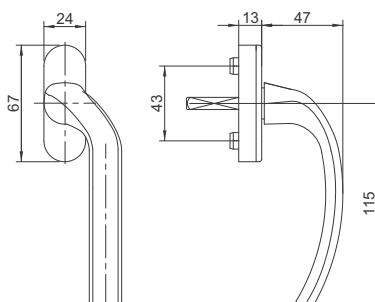
Spindle	Spindle length	Colour									
		9016	8019	8077	F1	F9					
7 mm	40	102-00365	102-00366	102-00760	102-00367	102-00759					
8 mm	40	102-00368	102-00369	102-00762	102-00370	102-00761					



1005V R-1

Bent right aluminium handle, plastic, oval 24 mm rosette with handle colour plate masking screws, square spindle, plugs 10 mm diameter

Spindle	Spindle length	Colour									
		9016	8019	8077	F1	F9					
7 mm	40	102-00371	102-00372	102-00764	102-00373	102-00763					
8 mm	40	102-00374	102-00375	102-00766	102-00376	102-00765					

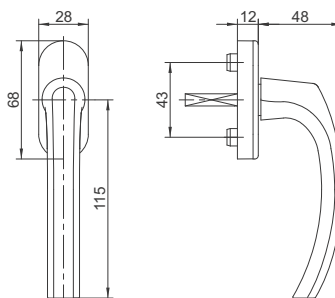


1006

Aluminium handle, plastic, oval rosette with handle colour plate masking screws, square spindle, plugs 10 mm diameter



Latch	Spindle length	Colour									
		9016	8019	8077	F1	F4	F9				
45°	35	103-00001	103-00002	103-00618	103-00003	103-00004	103-00005				
	40	103-00006	103-00007	103-00619	103-00008	103-00009	103-00010				
90°	35	103-00011	103-00012	103-00620	103-00013	103-00014	103-00015				
	40	103-00016	103-00017	103-00621	103-00018	103-00019	103-00020				

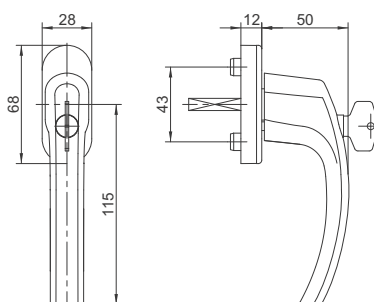


1006A

Aluminium handle with key cylinder, plastic, oval rosette with handle colour plate masking screws, square spindle, plugs 10 mm diameter



Latch	Spindle length	Colour								
		9016	8019	8077	F1	F4	F9			
45°	35	103-00021	103-00022	103-00622	103-00023	103-00024	103-00025			
	40	103-00026	103-00027	103-00623	103-00028	103-00029	103-00030			
90°	35	103-00031	103-00032	103-00624	103-00033	103-00034	103-00035			
	40	103-00036	103-00037	103-00625	103-00038	103-00039	103-00040			

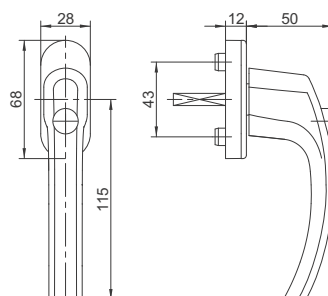


1006D

Aluminium handle with a button in door handle colour, plastic, oval rosette with handle colour plate masking screws, square spindle, plugs 10 mm diameter



Latch	Spindle length	Colour								
		9016	8019	8077	F1	F4	F9			
45°	35	103-00041	103-00042	103-00626	103-00043	103-00044	103-00045			
	40	103-00046	103-00047	103-00627	103-00048	103-00049	103-00050			
90°	35	103-00051	103-00052	103-00628	103-00053	103-00054	103-00055			
	40	103-00056	103-00057	103-00629	103-00058	103-00059	103-00060			



**1006A 100N**

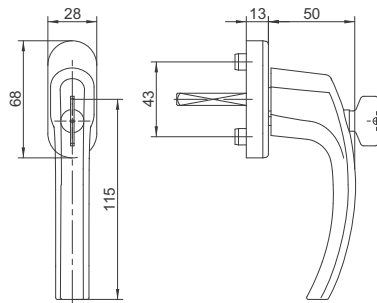
Aluminium handle with key cylinder, ZnAl alloy, oval rosette with handle colour plate masking screws, square spindle, plugs 10 mm diameter

**ift**<sup>®</sup>  
PN-EN 13126-3:2012

**ift**  
ROSENHEIM

EN 13126-3:2011

Latch	Spindle length	Colour								
		9016	8019	8077	F1	F4	F9			
45°	35	103-00081	103-00082	103-00630	103-00083	103-00084	103-00085			
	40	103-00086	103-00087	103-00631	103-00088	103-00089	103-00090			
90°	35	103-00091	103-00092	103-00632	103-00093	103-00094	103-00095			
	40	103-00096	103-00097	103-00633	103-00098	103-00099	103-00100			

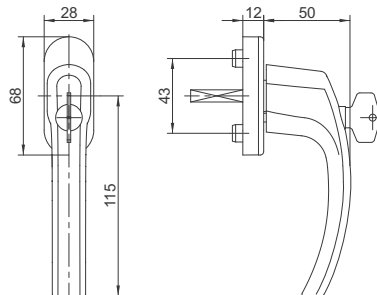


**1006A TBT**

Aluminium handle with key cylinder, plastic, oval rosette with handle colour plate masking screws, square spindle, plugs 10 mm diameter

**ift**<sup>®</sup>  
PN-EN 13126-3:2012

Latch	Spindle length	Colour								
		9016	8019	8077	F1	F4	F9			
90°	35	103-00071	103-00072	103-00634	103-00073	103-00074	103-00075			
	40	103-00076	103-00077	103-00635	103-00078	103-00079	103-00080			

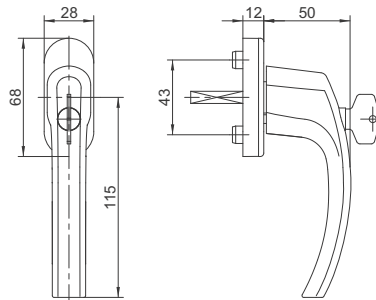


1006A SKG\*\*

Aluminium grip with a lock cylinder, an oval plastic alloy rosette with a plate in the colour of the grip masking the screws, square spindle, plugs 10 mm diameter. The product is SKG\*\* certified



Latch	Spindle length	Colour								
		9016	8019	8077	F1	F4	F9			
45°	35	103-00667	103-00668	103-00669	103-00670	103-00671	103-00672			
	40	103-00673	103-00674	103-00675	103-00676	103-00677	103-00678			
90°	35	103-00679	103-00680	103-00681	103-00682	103-00683	103-00684			
	40	103-00685	103-00686	103-00687	103-00688	103-00689	103-00690			

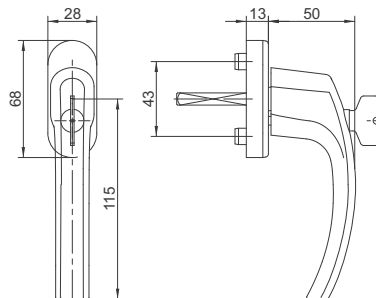


1006A SKG\*\*\*

Aluminium grip with a lock cylinder, an oval ZnAl alloy rosette with a plate in the colour of the grip masking the screws, square spindle, plugs 10 mm diameter. The product is SKG\*\*\* certified



Latch	Spindle length	Colour								
		9016	8019	8077	F1	F4	F9			
45°	35	103-00691	103-00692	103-00693	103-00694	103-00695	103-00696			
	40	103-00697	103-00698	103-00699	103-00700	103-00701	103-00702			
90°	35	103-00703	103-00704	103-00705	103-00706	103-00707	103-00708			
	40	103-00709	103-00710	103-00711	103-00712	103-00713	103-00714			



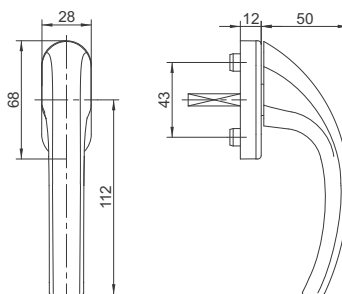
1007

Aluminium handle, plastic, oval rosette with handle colour plate masking screws, square spindle, plugs 10 mm diameter

**IFI**<sup>®</sup>  
PN-EN 13126-3:2012



Latch	Spindle length	Colour								
		9016	8019	8077	F1	F4	F9			
45°	35	104-00001	104-00002	104-00113	104-00003	104-00004	104-00005			
	40	104-00006	104-00007	104-00114	104-00008	104-00009	104-00010			
	45	104-00011	104-00012	104-00115	104-00013	104-00014	104-00015			
90°	35	104-00016	104-00017	104-00116	104-00018	104-00019	104-00020			
	40	104-00021	104-00022	104-00117	104-00023	104-00024	104-00025			
	45	104-00026	104-00027	104-00118	104-00028	104-00029	104-00030			

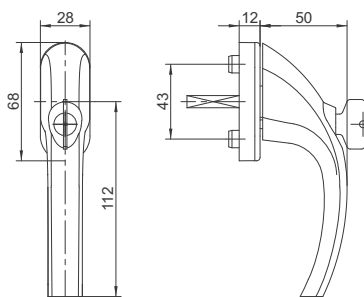


1007A

Aluminium handle with key cylinder, plastic, oval rosette with handle colour plate masking screws, square spindle, plugs 10 mm diameter

**IFI**<sup>®</sup>  
PN-EN 13126-3:2012

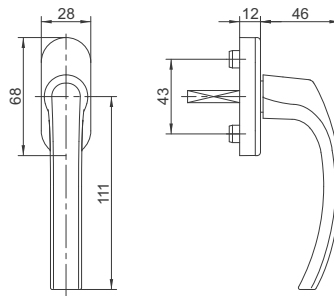
Latch	Spindle length	Colour								
		9016	8019	8077	F1	F4	F9			
45°	35	104-00031	104-00032	104-00119	104-00033	104-00034	104-00035			
	40	104-00036	104-00037	104-00120	104-00038	104-00039	104-00040			
	45	104-00041	104-00042	104-00121	104-00043	104-00044	104-00045			
90°	35	104-00046	104-00047	104-00122	104-00048	104-00049	104-00050			
	40	104-00051	104-00052	104-00123	104-00053	104-00054	104-00055			
	45	104-00056	104-00057	104-00124	104-00058	104-00059	104-00060			



1008

Aluminium alloy handle, plastic, oval rosette with handle colour plate masking screws, square spindle, plugs 10 mm diameter

Latch	Spindle length	Colour									
		9016	8019	8077							
45°	35	105-00001	105-00002	105-00046							
	40	105-00003	105-00004	105-00047							
90°	35	105-00005	105-00006	105-00048							
	40	105-00007	105-00008	105-00049							

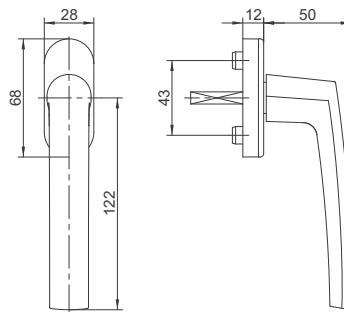


1009

Aluminium handle, plastic, oval rosette with handle colour plate masking screws, square spindle, plugs 10 mm diameter



Latch	Spindle length	Colour									
		9016	8019	8077	F1	F4	F9				
45°	35	106-00001	106-00064	106-00067	106-00002	106-00003	106-00004				
	40	106-00005	106-00035	106-00068	106-00006	106-00007	106-00008				
90°	35	106-00009	106-00090	106-00069	106-00010	106-00011	106-00012				
	40	106-00013	106-00091	106-00070	106-00014	106-00015	106-00016				

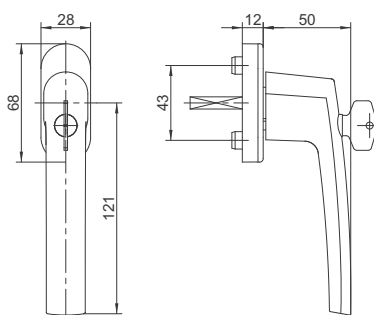


1009A

Aluminium handle with key cylinder, plastic, oval rosette with handle colour plate masking screws, square spindle, plugs 10 mm diameter



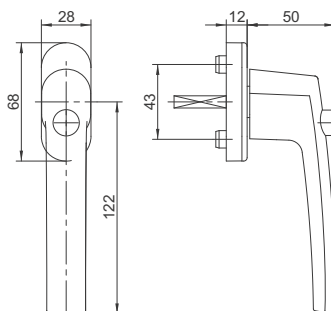
Latch	Spindle length	Colour											
		9016	8019	8077	F1	F4	F9						
45°	35	106-00017	106-00065	106-00071	106-00018	106-00019	106-00020						
	40	106-00021	106-00089	106-00072	106-00022	106-00023	106-00024						
90°	35	106-00025	106-00092	106-00073	106-00026	106-00027	106-00028						
	40	106-00029	106-00093	106-00074	106-00030	106-00031	106-00032						



1009 D

Aluminium grip with a button in the colour of the handle, an oval plastic rosette with a plate in the colour of the grip masking the screws, square spindle, plugs 10 mm diameter

Latch	Spindle length	Colour											
		9016	8019	8077	F1	F4	F9						
45°	35	106-00094	106-00095	106-00096	106-00097	106-00098	106-00099						
	40	106-00100	106-00101	106-00102	106-00103	106-00104	106-00105						
90°	35	106-00106	106-00107	106-00108	106-00109	106-00110	106-00111						
	40	106-00112	106-00113	106-00114	106-00115	106-00116	106-00117						





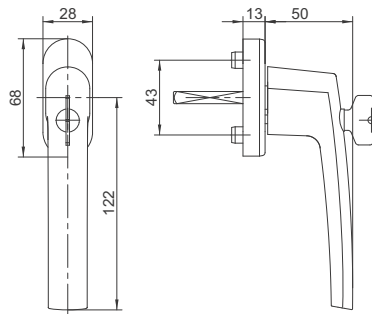
**1009A 100N**

Aluminium grip with a lock cylinder, an oval ZnAl alloy rosette with a plate in the colour of the grip masking the screws, square spindle, plugs 10 mm diameter



EN 13126-3:2011

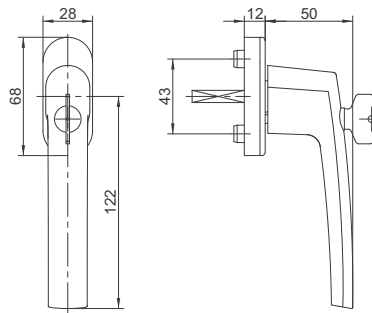
Latch	Spindle length	Colour								
		9016	8019	8077	F1	F4	F9			
45°	35	106-00130	106-00131	106-00132	106-00133	106-00134	106-00135			
	40	106-00136	106-00137	106-00138	106-00139	106-00140	106-00141			
90°	35	106-00142	106-00143	106-00144	106-00145	106-00146	106-00147			
	40	106-00148	106-00149	106-00150	106-00151	106-00152	106-00153			



**1009A TBT**

Aluminium grip with a lock cylinder, an oval plastic alloy rosette with a plate in the colour of the grip masking the screws, square spindle, plugs 10 mm diameter

Latch	Spindle length	Colour								
		9016	8019	8077	F1	F4	F9			
90°	35	106-00118	106-00119	106-00120	106-00121	106-00122	106-00123			
	40	106-00124	106-00125	106-00126	106-00127	106-00128	106-00129			

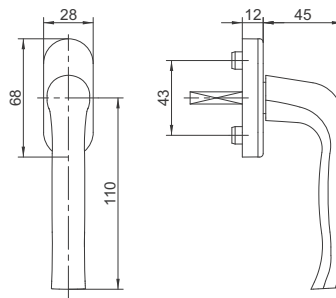


1012

Aluminium handle, plastic, oval rosette with plate masking screws, square spindle, plugs 10 mm diameter



Latch	Spindle length	Colour								
		9016	8019	8077	F1	F4	F9			
45°	35	107-00001	107-00002	107-00279	107-00003	107-00004	107-00005			
	40	107-00006	107-00007	107-00280	107-00008	107-00009	107-00010			
90°	35	107-00011	107-00012	107-00281	107-00013	107-00014	107-00015			
	40	107-00016	107-00017	107-00282	107-00018	107-00019	107-00020			

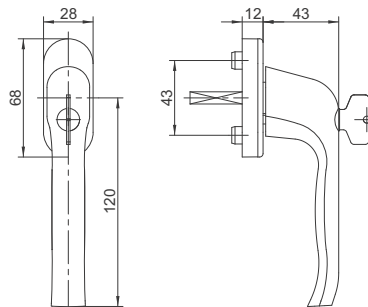


1012A

Aluminium handle with key cylinder, plastic, oval rosette with handle colour plate masking screws, square spindle, plugs 10 mm diameter



Latch	Spindle length	Colour								
		9016	8019	8077	F1	F4	F9			
45°	35	107-00021	107-00022	107-00283	107-00023	107-00024	107-00025			
	40	107-00026	107-00027	107-00284	107-00028	107-00029	107-00030			
90°	35	107-00031	107-00032	107-00285	107-00033	107-00034	107-00035			
	40	107-00036	107-00037	107-00286	107-00038	107-00039	107-00040			

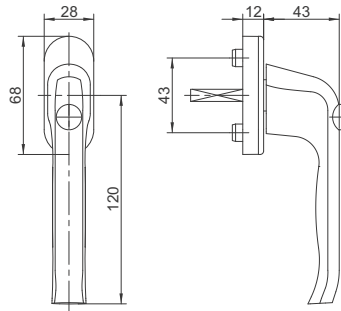


**1012D**

Aluminium handle with a button in door handle colour, plastic, oval rosette with handle colour plate masking screws, square spindle, plugs 10 mm diameter



Latch	Spindle length	Colour								
		9016	8019	8077	F1	F4	F9			
45°	35	107-00041	107-00042	107-00287	107-00043	107-00044	107-00045			
	40	107-00046	107-00047	107-00288	107-00048	107-00049	107-00050			
90°	35	107-00051	107-00052	107-00289	107-00053	107-00054	107-00055			
	40	107-00056	107-00057	107-00290	107-00058	107-00059	107-00060			

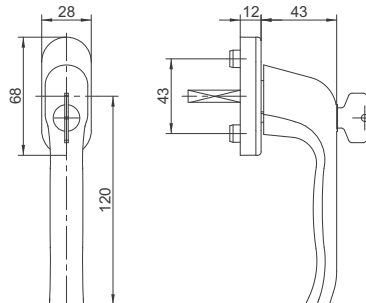


**1012A TBT**

Aluminium handle with key cylinder, plastic, oval rosette with handle colour plate masking screws, square spindle, plugs 10 mm diameter



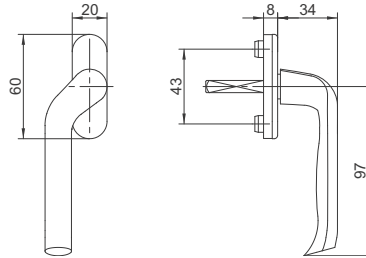
Latch	Spindle length	Colour								
		9016	8019	8077	F1	F4	F9			
90°	35	107-00071	107-00072	107-00291	107-00073	107-00074	107-00075			
	40	107-00076	107-00077	107-00292	107-00078	107-00079	107-00080			



1012VM L

Bent left aluminium handle, oval rosette made of ZnAl alloy with a width of 20 mm with handle colour plate, masking screws, square spindle, plugs 10 mm diameter, handle rotation limit to 90°

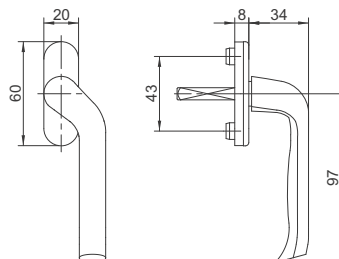
Spindle	Spindle length	Colour							
		9016	8077	F1	F9				
7 mm	40	107-00081	107-00294	107-00082	107-00293				
8 mm	40	107-00083	107-00296	107-00084	107-00295				



1012VM R

Bent right aluminium handle, oval rosette made of ZnAl alloy with a width of 20 mm with handle colour plate, masking screws, square spindle, plugs 10 mm diameter, handle rotation limit to 90°

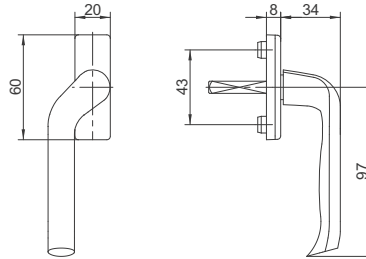
Spindle	Spindle length	Colour							
		9016	8077	F1	F9				
7 mm	40	107-00085	107-00297	107-00086	107-00298				
8 mm	40	107-00087	107-00299	107-00088	107-00300				



**1012VM L E**

Bent left aluminium handle, rectangular rosette made of ZnAl alloy with a width of 20 mm with handle colour plate, masking screws, square spindle, plugs 10 mm diameter, handle rotation limit to 90°

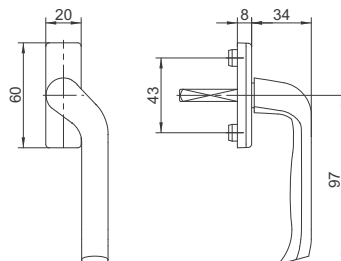
Spindle	Spindle length	Colour							
		9016	8077	F1	F9				
7 mm	40	107-00097	107-00301	107-00098	107-00302				
8 mm	40	107-00099	107-00303	107-00100	107-00304				



**1012VM R E**

Bent right aluminium handle, oval rosette made of ZnAl alloy with a width of 20 mm with handle colour plate, masking screws, square spindle, plugs 10 mm diameter, handle rotation limit to 90°

Spindle	Spindle length	Colour							
		9016	8077	F1	F9				
7 mm	40	107-00101	107-00305	107-00102	107-00306				
8 mm	40	107-00103	107-00307	107-00104	107-00308				

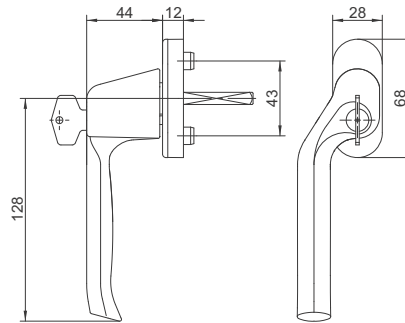


1012VA L

Bent left aluminium handle with key cylinder, plastic, oval rosette with handle colour plate masking screws, square spindle, plugs 10 mm diameter



Spindle	Spindle length	Colour							
		9016	8077	F1	F9				
7 mm	35	107-00089	107-00309	107-00090	107-00310				
7 mm	40	107-00091	107-00311	107-00092	107-00312				

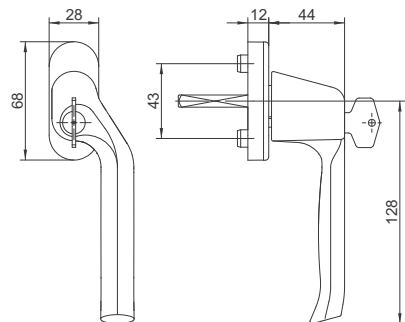


1012VA R

Bent right aluminium handle with key cylinder, plastic, oval rosette with handle colour plate masking screws, square spindle, plugs 10 mm diameter



Spindle	Spindle length	Colour							
		9016	8077	F1	F9				
7 mm	35	107-00093	107-00313	107-00094	107-00314				
7 mm	40	107-00095	107-00315	107-00096	107-00316				

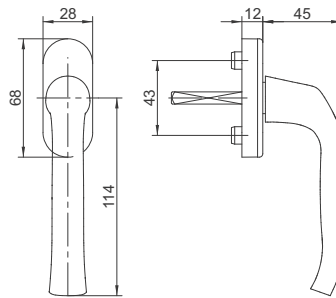


1013

Aluminium handle, plastic, oval rosette with handle colour plate masking screws, square spindle, plugs 10 mm diameter



Latch	Spindle length	Colour								
		9016	8019	8077	F1	F4	F9			
45°	35	108-00001	108-00002	108-00047	108-00003	108-00004	108-00005			
	40	108-00006	108-00007	108-00048	108-00008	108-00009	108-00010			
90°	35	108-00011	108-00012	108-00049	108-00013	108-00014	108-00015			
	40	108-00016	108-00017	108-00050	108-00018	108-00019	108-00020			

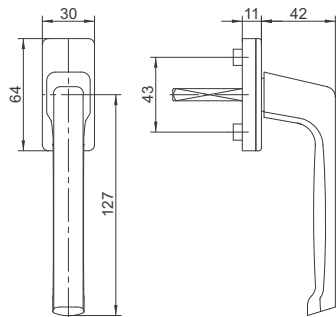


1030

Aluminium handle, plastic, rectangular rosette with handle colour plate masking screws, square spindle, plugs 10 mm diameter



Latch	Spindle length	Colour								
		9016	8019	8077	F1	F4	F9			
45°	35	109-00001	109-00002	109-00259	109-00003	109-00004	109-00005			
	40	109-00006	109-00007	109-00260	109-00008	109-00009	109-00010			
90°	35	109-00011	109-00012	109-00261	109-00013	109-00014	109-00015			
	40	109-00016	109-00017	109-00262	109-00018	109-00019	109-00020			

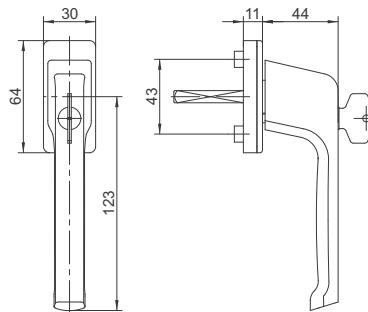


**1030A**

Aluminium handle with key cylinder, plastic, rectangular rosette with handle colour plate masking screws, square spindle, plugs 10 mm diameter



Latch	Spindle length	Colour								
		9016	8019	8077	F1	F4	F9			
45°	35	109-00021	109-00022	109-00263	109-00023	109-00024	109-00025			
	40	109-00026	109-00027	109-00264	109-00028	109-00029	109-00030			
90°	35	109-00031	109-00032	109-00265	109-00033	109-00034	109-00035			
	40	109-00036	109-00037	109-00266	109-00038	109-00039	109-00040			

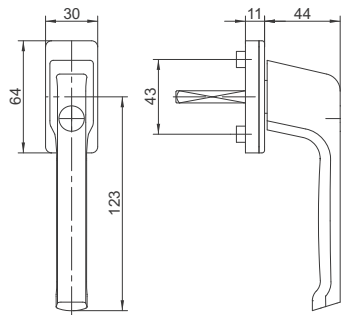


**1030D**

Aluminium handle with handle colour button, plastic, rectangular rosette with handle colour plate masking screws, square spindle, plugs 10 mm diameter



Latch	Spindle length	Colour								
		9016	8019	8077	F1	F4	F9			
45°	35	109-00041	109-00042	109-00267	109-00043	109-00044	109-00045			
	40	109-00046	109-00047	109-00268	109-00048	109-00049	109-00050			
90°	35	109-00051	109-00052	109-00269	109-00053	109-00054	109-00055			
	40	109-00056	109-00057	109-00270	109-00058	109-00059	109-00060			





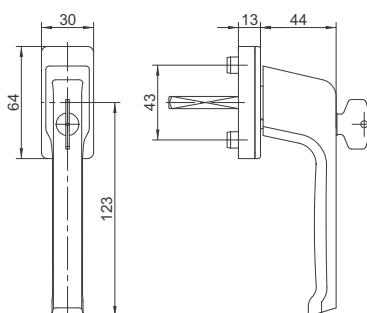
**1030A 100N**

Aluminium grip with a lock cylinder, a rectangular ZnAl alloy rosette with a plate in the colour of the grip masking the screws, square spindle, plugs 10 mm diameter



EN 13126-3:2011

Latch	Spindle length	Colour								
		9016	8019	8077	F1	F4	F9			
45°	35	109-00292	109-00293	109-00294	109-00295	109-00296	109-00297			
	40	109-00298	109-00299	109-00300	109-00301	109-00302	109-00303			
90°	35	109-00304	109-00305	109-00306	109-00307	109-00308	109-00309			
	40	109-00310	109-00311	109-00312	109-00313	109-00314	109-00315			



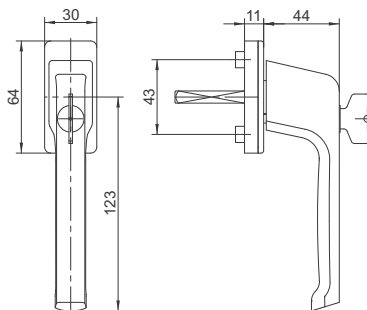
**1030A TBT**

Aluminium handle with key cylinder, plastic, rectangular rosette with handle colour plate masking screws, square spindle, plugs 10 mm diameter



PN-EN 13126-3:2012

Latch	Spindle length	Colour								
		9016	8019	8077	F1	F4	F9			
90°	35	109-00071	109-00072	109-00271	109-00073	109-00074	109-00075			
	40	109-00076	109-00077	109-00272	109-00078	109-00079	109-00080			

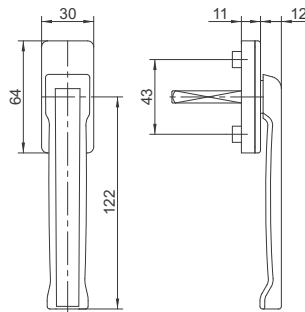


**1030R**

Low aluminium handle under blinds, plastic, rectangular rosette with handle colour plate masking screws, square spindle, plugs 10 mm diameter



Latch	Spindle length	Colour									
		9016	8019	8077	F1	F4	F9				
45°	35	109-00081	109-00082	109-00273	109-00083	109-00084	109-00085				
	40	109-00086	109-00087	109-00274	109-00088	109-00089	109-00090				
90°	35	109-00091	109-00092	109-00275	109-00093	109-00094	109-00095				
	40	109-00096	109-00097	109-00276	109-00098	109-00099	109-00100				

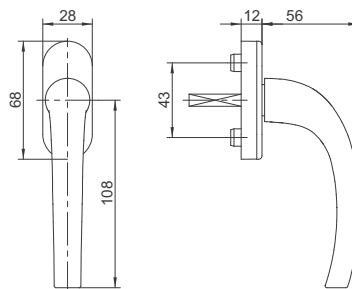


**1031**

Aluminium handle, plastic, oval rosette with handle colour plate masking screws, square spindle, plugs 10 mm diameter



Latch	Spindle length	Colour									
		9016	8019	9001	8077	F1	F2	F3	F4	F9	
45°	35	110-00001	110-00002	110-00003	110-00643	110-00004	110-00005	110-00006	110-00007	110-00008	
	37	110-00009	110-00010	110-00011	110-00644	110-00012	110-00013	110-00014	110-00015	110-00016	
	40	110-00017	110-00018	110-00019	110-00645	110-00020	110-00021	110-00022	110-00023	110-00024	
	45	110-00025	110-00026	110-00027	110-00646	110-00028	110-00029	110-00030	110-00031	110-00032	
90°	35	110-00033	110-00034	110-00035	110-00647	110-00036	110-00037	110-00038	110-00039	110-00040	
	37	110-00041	110-00042	110-00043	110-00648	110-00044	110-00045	110-00046	110-00047	110-00048	
	40	110-00049	110-00050	110-00051	110-00649	110-00052	110-00053	110-00054	110-00055	110-00056	
	45	110-00057	110-00058	110-00059	110-00650	110-00060	110-00061	110-00062	110-00063	110-00064	

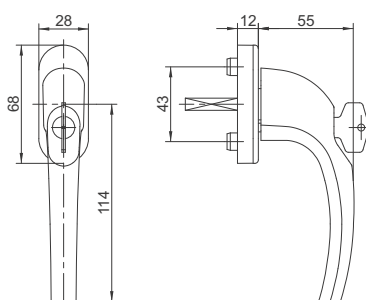


**1031A**

Aluminium handle with key cylinder, plastic, oval rosette with handle colour plate masking screws, square spindle, plugs 10 mm diameter



Latch	Spindle length	Colour									
		9016	8019	9001	8077	F1	F2	F3	F4	F9	
45°	35	110-00065	110-00066	110-00067	110-00651	110-00068	110-00069	110-00070	110-00071	110-00072	
	37	110-00073	110-00074	110-00075	110-00652	110-00076	110-00077	110-00078	110-00079	110-00080	
	40	110-00081	110-00082	110-00083	110-00653	110-00084	110-00085	110-00086	110-00087	110-00088	
	45	110-00089	110-00090	110-00091	110-00654	110-00092	110-00093	110-00094	110-00095	110-00096	
90°	35	110-00097	110-00098	110-00099	110-00655	110-00100	110-00101	110-00102	110-00103	110-00104	
	37	110-00105	110-00106	110-00107	110-00656	110-00108	110-00109	110-00110	110-00111	110-00112	
	40	110-00113	110-00114	110-00115	110-00657	110-00116	110-00117	110-00118	110-00119	110-00120	
	45	110-00121	110-00122	110-00123	110-00658	110-00124	110-00125	110-00126	110-00127	110-00128	

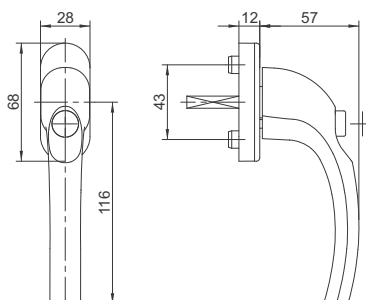


**1031D**

Aluminium handle with a button in door handle colour, plastic, oval rosette with handle colour plate masking screws, square spindle, plugs 10 mm diameter



Latch	Spindle length	Colour									
		9016	8019	9001	8077	F1	F2	F3	F4	F9	
45°	35	110-00129	110-00130	110-00131	110-00659	110-00132	110-00133	110-00134	110-00135	110-00136	
	37	110-00137	110-00138	110-00139	110-00660	110-00140	110-00141	110-00142	110-00143	110-00144	
	40	110-00145	110-00146	110-00147	110-00661	110-00148	110-00149	110-00150	110-00151	110-00152	
	45	110-00153	110-00154	110-00155	110-00662	110-00156	110-00157	110-00158	110-00159	110-00160	
90°	35	110-00161	110-00162	110-00163	110-00663	110-00164	110-00165	110-00166	110-00167	110-00168	
	37	110-00169	110-00170	110-00171	110-00664	110-00172	110-00173	110-00174	110-00175	110-00176	
	40	110-00177	110-00178	110-00179	110-00665	110-00180	110-00181	110-00182	110-00183	110-00184	
	45	110-00185	110-00186	110-00187	110-00666	110-00188	110-00189	110-00190	110-00191	110-00192	



**1031A 100N**

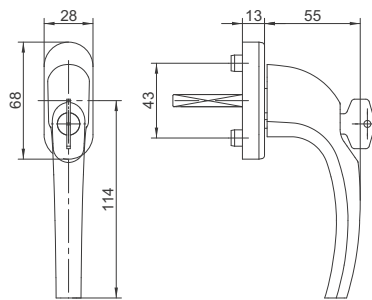
Aluminium handle with key cylinder, ZnAl alloy, oval rosette with handle colour plate masking screws, square spindle, plugs 10 mm diameter

**IFT**<sup>®</sup>  
PN-EN 13126-3:2012

**ift**  
ROSENHEIM

EN 13126-3:2011

Latch	Spindle length	Colour									
		9016	8019	9001	8077	F1	F2	F3	F4	F9	
45°	35	110-00257	110-00258	110-00259	110-00667	110-00260	110-00261	110-00262	110-00263	110-00264	
	37	110-00265	110-00266	110-00267	110-00668	110-00268	110-00269	110-00270	110-00271	110-00272	
	40	110-00273	110-00274	110-00275	110-00669	110-00276	110-00277	110-00278	110-00279	110-00280	
	45	110-00281	110-00282	110-00283	110-00670	110-00284	110-00285	110-00286	110-00287	110-00288	
90°	35	110-00289	110-00290	110-00291	110-00671	110-00292	110-00293	110-00294	110-00295	110-00296	
	37	110-00297	110-00298	110-00299	110-00672	110-00300	110-00301	110-00302	110-00303	110-00304	
	40	110-00305	110-00306	110-00307	110-00673	110-00308	110-00309	110-00310	110-00311	110-00312	
	45	110-00313	110-00314	110-00315	110-00674	110-00316	110-00317	110-00318	110-00319	110-00320	

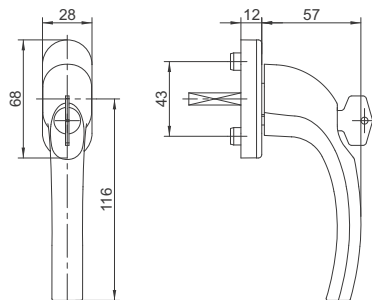


**1031A TBT**

Aluminium handle with key cylinder, plastic, oval rosette with handle colour plate masking screws, square spindle, plugs 10 mm diameter

**IFT**<sup>®</sup>  
PN-EN 13126-3:2012

Latch	Spindle length	Colour									
		9016	8019	9001	8077	F1	F2	F3	F4	F9	
90°	35	110-00225	110-00226	110-00227	110-00675	110-00228	110-00229	110-00230	110-00231	110-00232	
	37	110-00233	110-00234	110-00235	110-00676	110-00236	110-00237	110-00238	110-00239	110-00240	
	40	110-00241	110-00242	110-00243	110-00677	110-00244	110-00245	110-00246	110-00247	110-00248	
	45	110-00249	110-00250	110-00251	110-00678	110-00252	110-00253	110-00254	110-00255	110-00256	

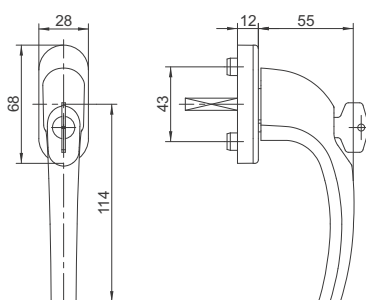


1031A SKG\*\*

Aluminium grip with a lock cylinder, an oval plastic alloy rosette with a plate in the colour of the grip masking the screws, square spindle, plugs 10 mm diameter. The product is SKG\*\* certified



Latch	Spindle length	Colour									
		9016	8019	9001	8077	F1	F2	F3	F4	F9	
45°	35	110-00699	110-00700	110-00701	110-00702	110-00703	110-00704	110-00705	110-00706	110-00707	
	37	110-00708	110-00709	110-00710	110-00711	110-00712	110-00713	110-00714	110-00715	110-00716	
	40	110-00406	110-00407	110-00408	110-00717	110-00409	110-00410	110-00411	110-00412	110-00413	
	45	110-00718	110-00719	110-00720	110-00721	110-00722	110-00723	110-00724	110-00725	110-00726	
90°	35	110-00727	110-00728	110-00729	110-00730	110-00731	110-00732	110-00733	110-00734	110-00735	
	37	110-00736	110-00737	110-00738	110-00739	110-00740	110-00741	110-00742	110-00743	110-00744	
	40	110-00745	110-00746	110-00747	110-00748	110-00749	110-00750	110-00751	110-00752	110-00753	
	45	110-00754	110-00755	110-00756	110-00757	110-00758	110-00759	110-00760	110-00761	110-00762	

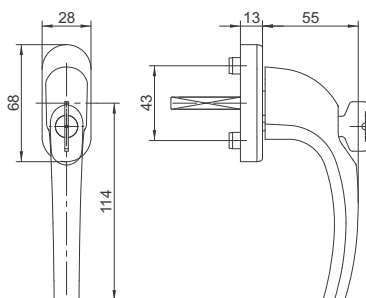


1031A SKG\*\*\*

Aluminium grip with a lock cylinder, an oval ZnAl alloy rosette with a plate in the colour of the grip masking the screws, square spindle, plugs 10 mm diameter. The product is SKG\*\*\* certified



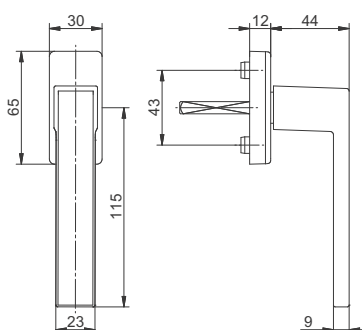
Latch	Spindle length	Colour									
		9016	8019	9001	8077	F1	F2	F3	F4	F9	
45°	35	110-00763	110-00764	110-00765	110-00766	110-00767	110-00768	110-00769	110-00770	110-00771	
	37	110-00772	110-00773	110-00774	110-00775	110-00776	110-00777	110-00778	110-00779	110-00780	
	40	110-00781	110-00782	110-00783	110-00784	110-00785	110-00786	110-00787	110-00788	110-00789	
	45	110-00790	110-00791	110-00792	110-00793	110-00794	110-00795	110-00796	110-00797	110-00798	
90°	35	110-00799	110-00800	110-00801	110-00802	110-00803	110-00804	110-00805	110-00806	110-00807	
	37	110-00808	110-00809	110-00810	110-00811	110-00812	110-00813	110-00814	110-00815	110-00816	
	40	110-00817	110-00818	110-00819	110-00820	110-00821	110-00822	110-00823	110-00824	110-00825	
	45	110-00826	110-00827	110-00828	110-00829	110-00830	110-00831	110-00832	110-00833	110-00834	



**1033**

Aluminium grip, a rectangular plastic alloy rosette with a plate in the colour of the grip masking the screws, square spindle, plugs 10 mm diameter

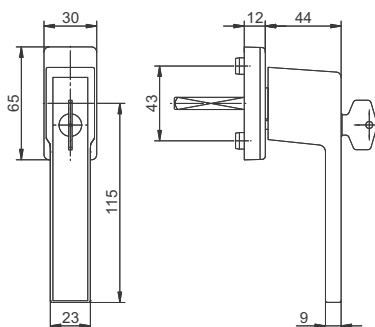
Latch	Spindle length	Colour									
		9016	9005	F1	F4	F9					
45°	35	115-00066	115-00067	115-00040	115-00068	115-00031					
	37	115-00059	115-00060	115-00061	115-00062	115-00063					
	40	115-00049	115-00107	115-00043	115-00051	115-00042					
	45	115-00108	115-00109	115-00056	115-00110	115-00111					
90°	35	115-00119	115-00120	115-00121	115-00122	115-00123					
	37	115-00124	115-00125	115-00126	115-00127	115-00128					
	40	115-00129	115-00130	115-00131	115-00132	115-00133					
	45	115-00134	115-00135	115-00136	115-00137	115-00138					



**1033A**

Aluminium grip with a lock cylinder, a rectangular plastic alloy rosette with a plate in the colour of the grip masking the screws, square spindle, plugs 10 mm diameter

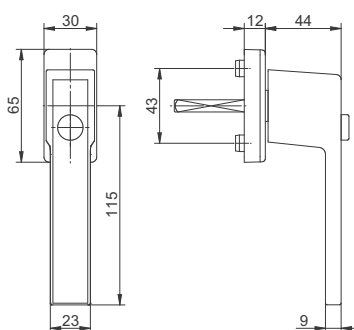
Latch	Spindle length	Colour									
		9016	9005	F1	F4	F9					
45°	35	115-00074	115-00075	115-00076	115-00077	115-00058					
	37	115-00078	115-00079	115-00080	115-00081	115-00082					
	40	115-00105	115-00112	115-00054	115-00113	115-00114					
	45	115-00115	115-00116	115-00117	115-00118	115-00104					
90°	35	115-00139	115-00140	115-00141	115-00142	115-00143					
	37	115-00144	115-00145	115-00146	115-00147	115-00148					
	40	115-00149	115-00150	115-00151	115-00152	115-00153					
	45	115-00154	115-00155	115-00156	115-00157	115-00158					



**1033D**

Aluminium grip with a button in the colour of the handle, a rectangular plastic rosette with a plate in the colour of the grip masking the screws, square spindle, plugs 10 mm diameter

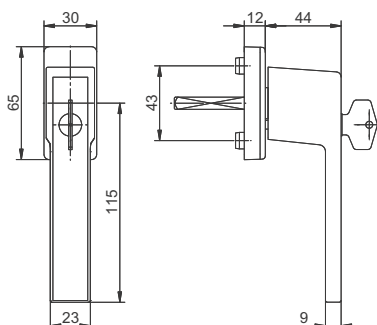
Latch	Spindle length	Colour									
		9016	9005	F1	F4	F9					
45°	35	115-00088	115-00089	115-00090	115-00091	115-00092					
	37	115-00093	115-00094	115-00095	115-00096	115-00097					
	40	115-00159	115-00160	115-00106	115-00161	115-00162					
	45	115-00163	115-00164	115-00055	115-00165	115-00166					
90°	35	115-00167	115-00168	115-00169	115-00170	115-00171					
	37	115-00172	115-00173	115-00174	115-00175	115-00176					
	40	115-00177	115-00178	115-00179	115-00180	115-00181					
	45	115-00182	115-00183	115-00184	115-00185	115-00186					



**1033A TBT**

Aluminium grip with a lock cylinder, a rectangular plastic rosette with a plate in the colour of the grip masking the screws, square spindle, plugs 10 mm diameter

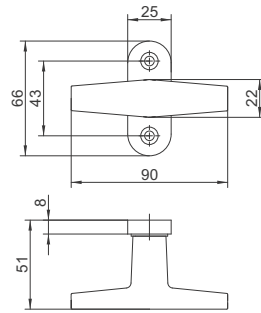
Latch	Spindle length	Colour									
		9016	9005	F1	F4	F9					
90°	35	115-00187	115-00188	115-00189	115-00190	115-00191					
	37	115-00192	115-00193	115-00194	115-00195	115-00196					
	40	115-00197	115-00198	115-00199	115-00200	115-00201					
	45	115-00202	115-00203	115-00204	115-00205	115-00206					



1051

Aluminium handle with oval aluminium rosette with visible screws, with hole for 7 mm square spindle

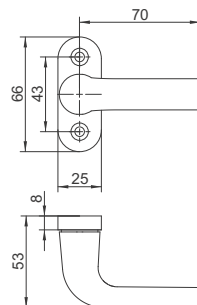
Colour									
9016	8019	8077	F1	F4	F9				
115-00001	115-00002	115-00046	115-00003	115-00006	115-00007				



1052

Aluminium handle with oval aluminium rosette with visible screws, with hole for 7 mm square spindle

Colour									
9016	8019	8077	F1	F4	F9				
115-00008	115-00009	115-00047	115-00010	115-00013	115-00014				







## OBJECT WINDOW HANDLES - MA SYSTEM



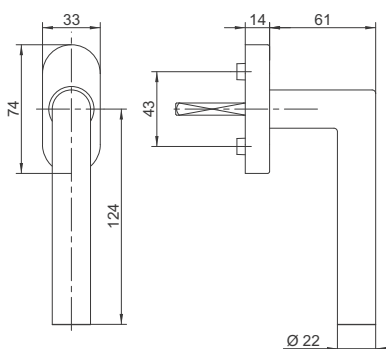
**MA 1010**

Aluminium or stainless steel handle, plastic, oval rosette with ball positioning mechanism, shielded with metallic in handle colour, square spindle, plugs 10 mm diameter



EN 13126-3:2011

Latch	Spindle length	Colour									
		9016	8077	F1	F9	ES					
45°	32	111-00001	111-00290	111-00002	111-00291	111-00003					
	35	111-00004	111-00292	111-00005	111-00153	111-00006					
90°	32	111-00007	111-00293	111-00008	111-00294	111-00009					
	35	111-00010	111-00295	111-00011	111-00296	111-00012					



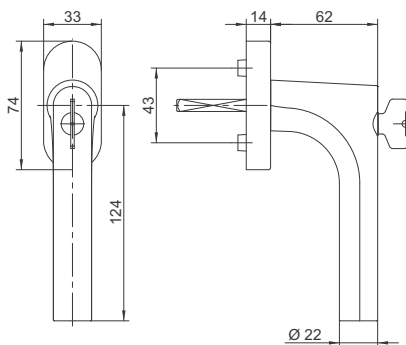
**MA 1010A 100N**

Aluminium or stainless steel handle with key cylinder, ZnAl alloy oval rosette with ball positioning mechanism, shielded with metallic in handle colour, square spindle, plugs 10 mm diameter



EN 13126-3:2011

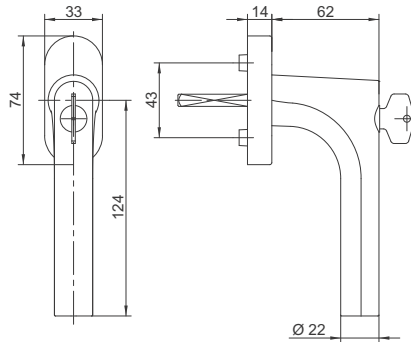
Latch	Spindle length	Colour									
		9016	8077	F1	F9	ES					
45°	32	111-00109	111-00297	111-00110	111-00298	111-00111					
	35	111-00112	111-00299	111-00113	111-00266	111-00114					
90°	32	111-00115	111-00300	111-00116	111-00301	111-00117					
	35	111-00118	111-00302	111-00119	111-00257	111-00120					



**MA 1010A TBT**

Aluminium or stainless steel handle with key cylinder, ZnAl alloy oval rosette with ball positioning mechanism, shielded with metallic in handle colour, square spindle, plugs 10 mm diameter

Latch	Spindle length	Colour									
		9016	8077	F1	F9	ES					
90°	32	111-00031	111-00303	111-00032	111-00304	111-00033					
	35	111-00034	111-00305	111-00035	111-00306	111-00036					



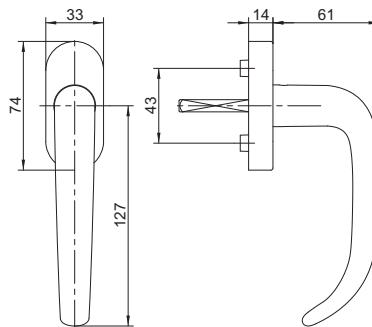
**MA 1015**

Aluminium or stainless steel handle, plastic oval rosette with ball positioning mechanism, shielded with metallic in handle colour, square spindle, plugs 10 mm diameter



EN 13126-3:2011

Latch	Spindle length	Colour									
		9016	8077	F1	F9	ES					
45°	32	111-00037	111-00307	111-00038	111-00308	111-00039					
	35	111-00040	111-00309	111-00041	111-06629	111-00042					
90°	32	111-00043	111-00310	111-00044	111-00311	111-00045					
	35	111-00046	111-00312	111-00047	111-00313	111-00048					



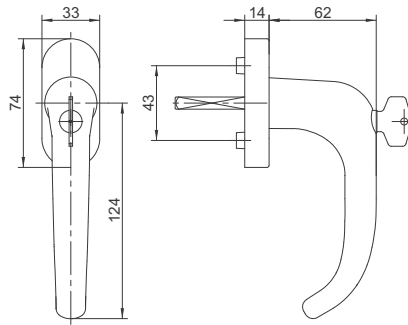
**MA 1015A 100N**

Aluminium handle with key cylinder, ZnAl alloy oval rosette with ball positioning mechanism, shielded with metallic in handle colour, square spindle, plugs 10 mm diameter



EN 13126-3:2011

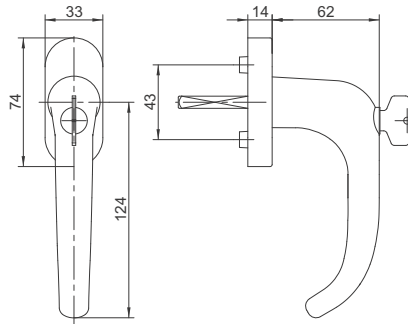
Latch	Spindle length	Colour									
		9016	8077	F1	F9	ES					
45°	32	111-00121	111-00314	111-00122	111-00315	111-00123					
	35	111-00124	111-00316	111-00125	111-00317	111-00126					
90°	32	111-00127	111-00318	111-00128	111-00319	111-00129					
	35	111-00130	111-00320	111-00131	111-00235	111-00132					



**MA 1015A TBT**

Aluminium handle with key cylinder, ZnAl alloy oval rosette with ball positioning mechanism, shielded with metallic in handle colour, square spindle, plugs 10 mm diameter

Latch	Spindle length	Colour									
		9016	8077	F1	F9	ES					
90°	32	111-00067	111-00321	111-00068	111-00322	111-00069					
	35	111-00070	111-00323	111-00071	111-00324	111-00072					



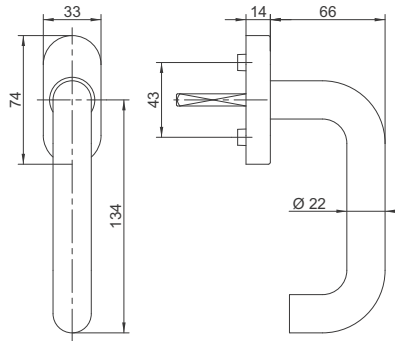
**MA 1040**

Aluminium or stainless steel handle, plastic oval rosette with ball positioning mechanism, shielded with metallic in handle colour, square spindle, plugs 10 mm diameter



EN 13126-3:2011

Latch	Spindle length	Colour									
		9016	8077	F1	F9	ES					
45°	32	111-00073	111-00325	111-00074	111-00326	111-00075					
	35	111-00076	111-00327	111-00077	111-06630	111-00078					
90°	32	111-00079	111-00328	111-00080	111-00329	111-00081					
	35	111-00082	111-00330	111-00083	111-00331	111-00084					



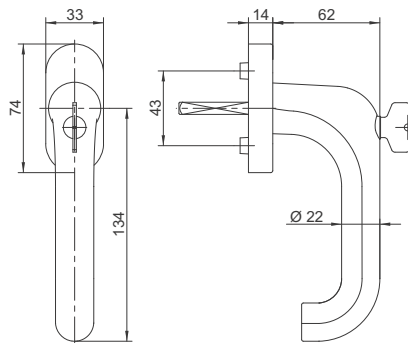
**MA 1040A 100N**

Aluminium or stainless steel handle with key cylinder, ZnAlloy oval rosette with ball positioning mechanism, shielded with metallic in handle colour, square spindle, plugs 10 mm diameter



EN 13126-3:2011

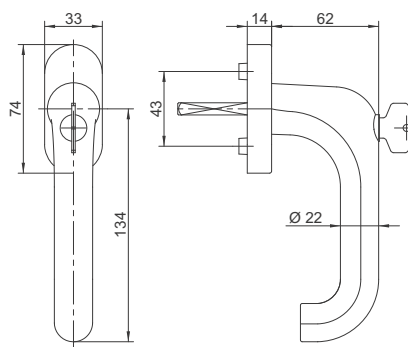
Latch	Spindle length	Colour									
		9016	8077	F1	F9	ES					
45°	32	111-00133	111-00332	111-00134	111-00333	111-00135					
	35	111-00136	111-00334	111-00137	111-00335	111-00138					
90°	32	111-00139	111-00336	111-00140	111-00337	111-00141					
	35	111-00142	111-00338	111-00143	111-00339	111-00144					



MA 1040A TBT

Aluminium or stainless steel handle with key cylinder, ZnAlloy oval rosette with ball positioning mechanism, shielded with metallic in handle colour, square spindle, plugs 10 mm diameter

Latch	Spindle length	Colour									
		9016	8077	F1	F9	ES					
90°	32	111-00103	111-00340	111-00104	111-00341	111-00105					
	35	111-00106	111-00342	111-00107	111-00343	111-00108					



BALCONY HANDLES



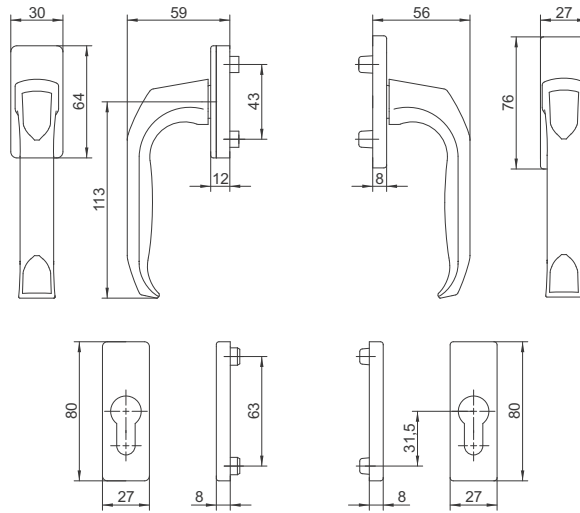


**1003 KB E**

Set of aluminium handles with rectangular rosettes and a set of short plates for lock cylinder, square spindle 7 mm x 130, screws M5 x 90

Latch*	Colour					
	9016	8019	8077	F1	F4	F9
45°	112-00015	112-00016	112-00817	112-00017	112-00018	112-00019

\* optional latch 90°

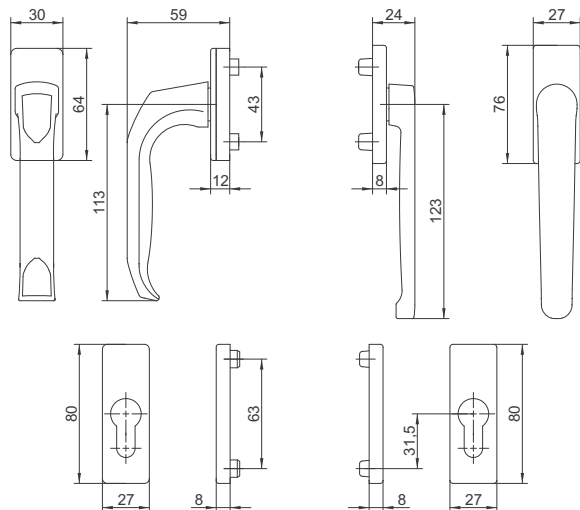


**1003 KBR E**

Set of aluminium handles, of which the outdoor one is designed under blinds, with rectangular rosettes and a set of short plates for lock cylinder, square spindle 7 mm x 130, screws M5 x 90

Latch*	Colour					
	9016	8019	8077	F1	F4	F9
45°	112-00024	112-00025	112-00818	112-00026	112-00027	112-00028

\* optional latch 90°

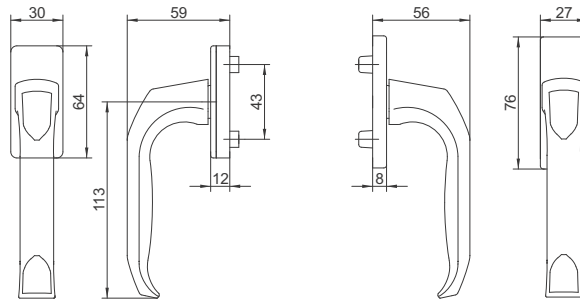


1003 K E

Set of aluminium handles with rectangular rosettes, square spindle 7 mm x 130, screws M5 x 90

Latch*	Colour									
	9016	8019	8077	F1	F4	F9				
45°	112-00051	112-00052	112-00819	112-00053	112-00054	112-00055				

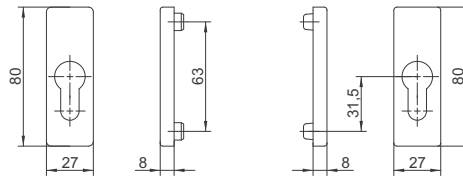
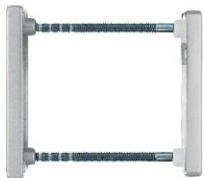
\* optional latch 90°



27 PZ E

Set of short rectangular plates for lock cylinder, screws M5 x 90

Colour									
9016	8019	8077	F1	F4	F9				
112-00109	112-00110	112-00820	112-00111	112-00112	112-00113				

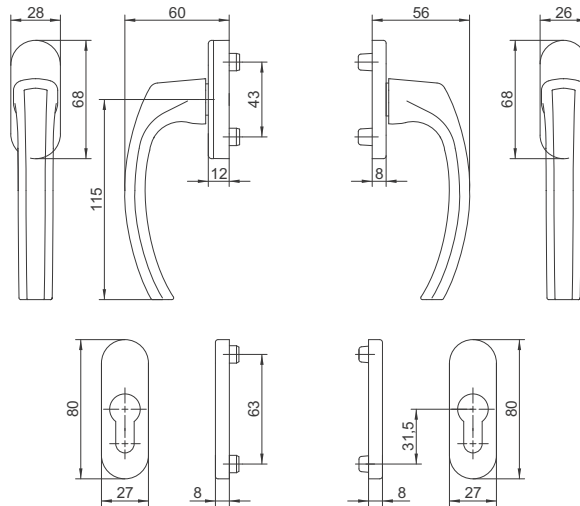


**1005 KB**

Set of aluminium handles with oval rosettes and a set of short plates for lock cylinder, square spindle 7 mm x 130, screws M5 x 90

Latch*	Colour					
	9016	8019	8077	F1	F4	F9
45°	112-00033	112-00034	112-00821	112-00035	112-00036	112-00037

\* optional latch 90°

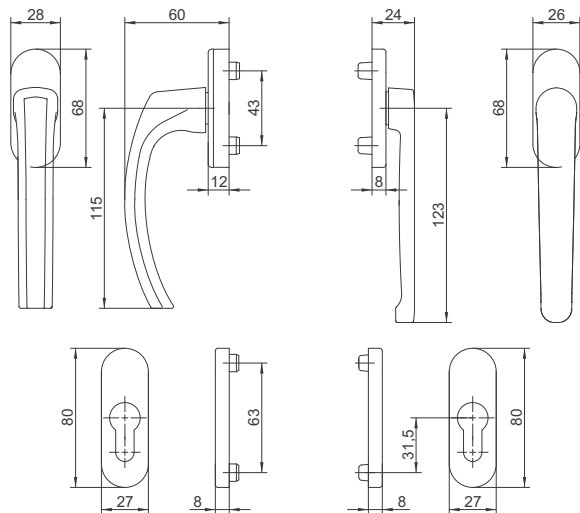


**1005 KBR**

Set of aluminium handles, of which the outdoor one is designed under blinds, with oval rosettes and a set of short plates for lock cylinder, square spindle 7 mm x 130, screws M5 x 90

Latch*	Colour					
	9016	8019	8077	F1	F4	F9
45°	112-00042	112-00043	112-00822	112-00044	112-00045	112-00046

\* optional latch 90°

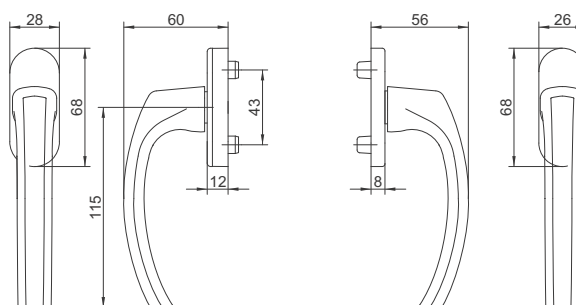
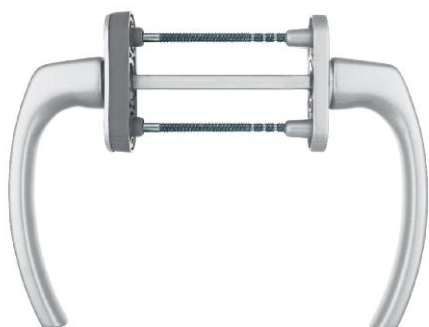


1005 K

Set of aluminium handles with oval rosettes, square spindle 7 mm x 130, screws M5 x 90

Latch*	Colour									
	9016	8019	8077	F1	F4	F9				
45°	112-00060	112-00061	112-00823	112-00062	112-00063	112-00064				

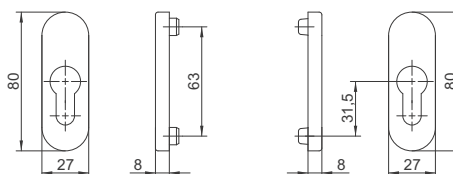
\* optional latch 90°



27 PZ

Set of short oval plates for lock cylinder, screws M5 x 90

Colour									
9016	8019	8077	F1	F4	F9				
112-00118	112-00119	112-00824	112-00120	112-00121	112-00122				

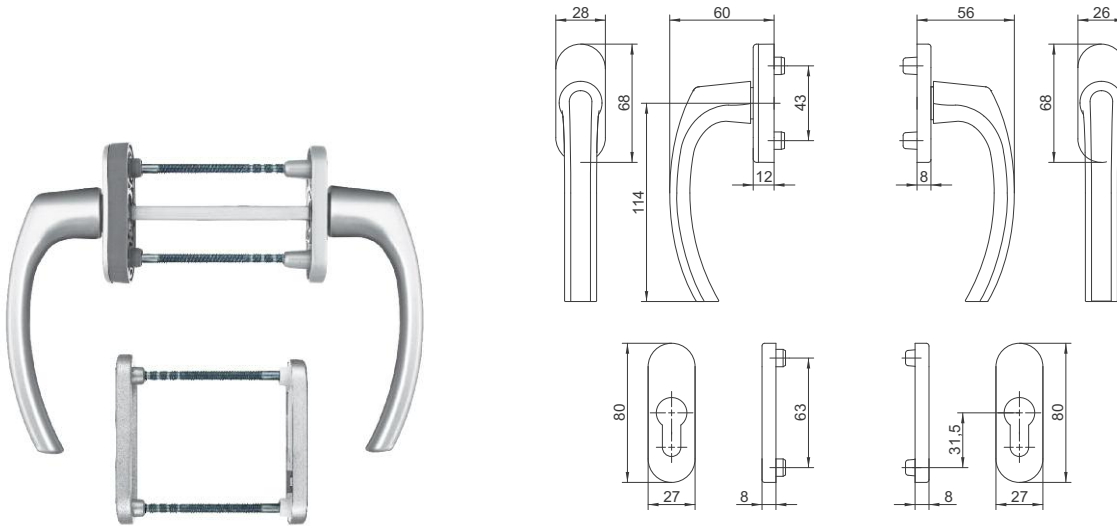


**1006 KB**

Set of aluminium handles with oval rosettes and a set of short plates for lock cylinder, square spindle 7 mm x 130, screws M5 x 90

Latch*	Colour					
	9016	8019	8077	F1	F4	F9
45°	112-00069	112-00070	112-00825	112-00071	112-00072	112-00073

\* optional latch 90°

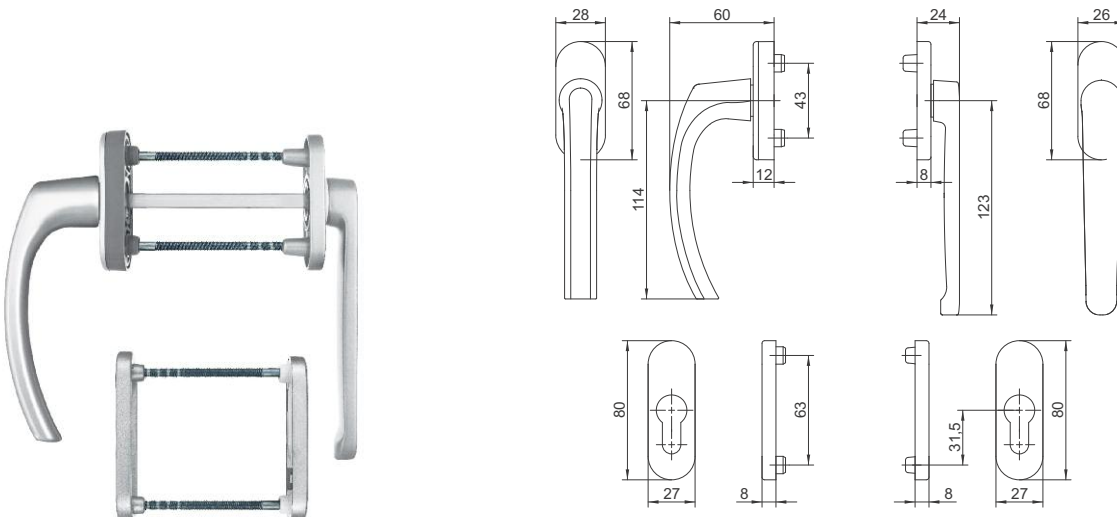


**1006 KBR**

Set of aluminium handles, of which the outdoor one is designed under blinds, with oval rosettes and a set of short plates for lock cylinder, square spindle 7 mm x 130, screws M5 x 90

Latch*	Colour					
	9016	8019	8077	F1	F4	F9
45°	112-00078	112-00079	112-00826	112-00080	112-00081	112-00082

\* optional latch 90°

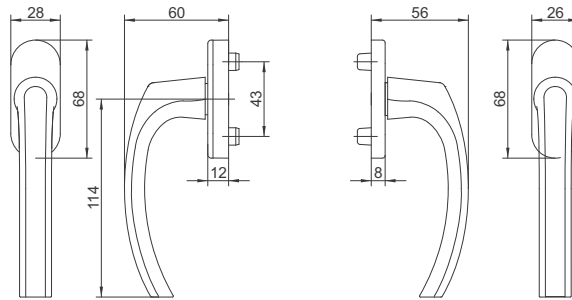
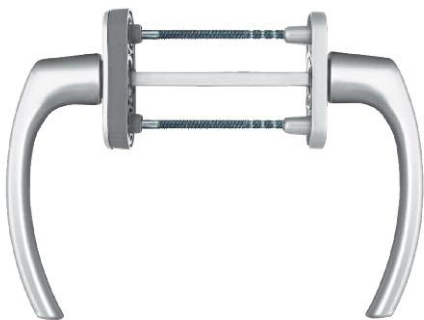


1006 K

Set of aluminium handles with oval rosettes, square spindle 7 mm x 130, screws M5 x 90

Latch*	Colour					
	9016	8019	8077	F1	F4	F9
45°	112-00127	112-00128	112-00827	112-00129	112-00130	112-00131

\* optional latch 90°

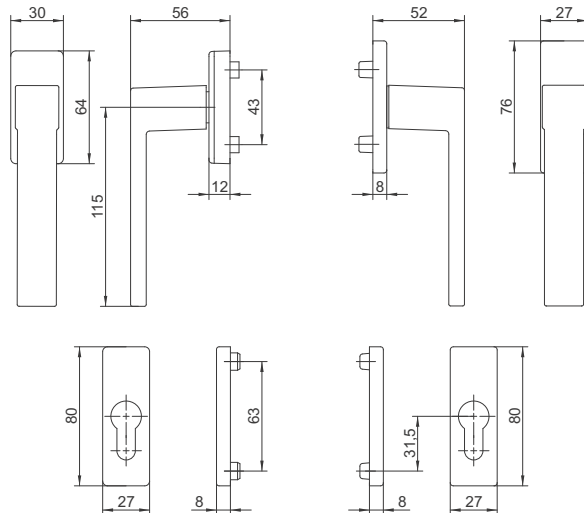


1033 KB E

A set of aluminium grips with rectangular rosettes and a set of short plates of the patent insert, 7mm x 130 square spindle, M5 x 90 screws

Latch*	Colour					
	9016	8019	8077	F1	F4	F9
45°	112-00883	112-00987	112-01085	112-00885	112-00886	112-00887

\* optional latch 90°

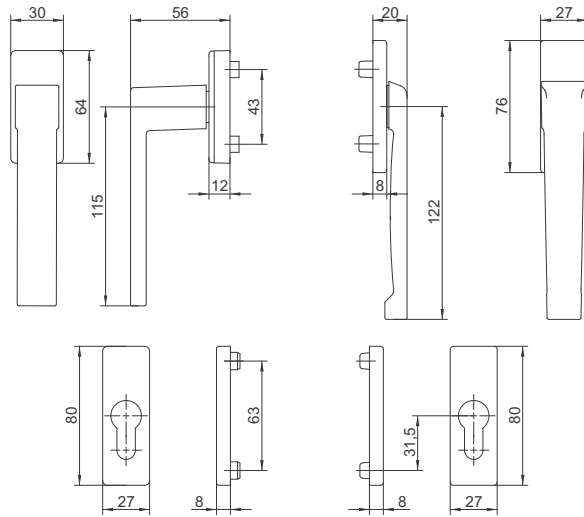


**1033 KBR E**

A set of aluminium grips, the external one of which is intended for the shutter, with rectangular rosettes and a set of short plates of the patent insert, 7mm x 130 square spindle, M5 x 90 screws

Latch*	Colour					
	9016	8019	8077	F1	F4	F9
45°	112-00995	112-01086	112-01087	112-01088	112-01047	112-01089

\* optional latch 90°

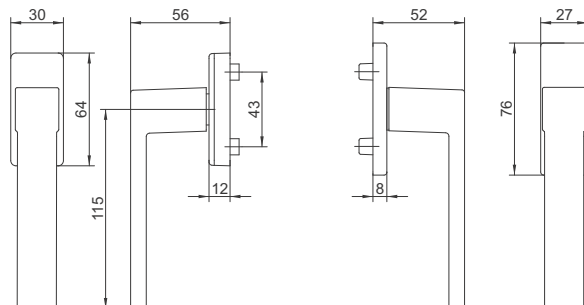
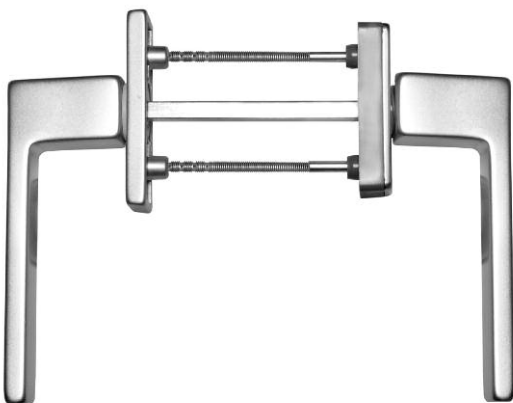


**1033 K E**

A set of aluminium grips with rectangular rosettes, 7mm x 130 square spindle, M5 x 90 screws

Latch*	Colour					
	9016	8019	8077	F1	F4	F9
45°	112-00078	112-00079	112-00826	112-00080	112-00081	112-00082

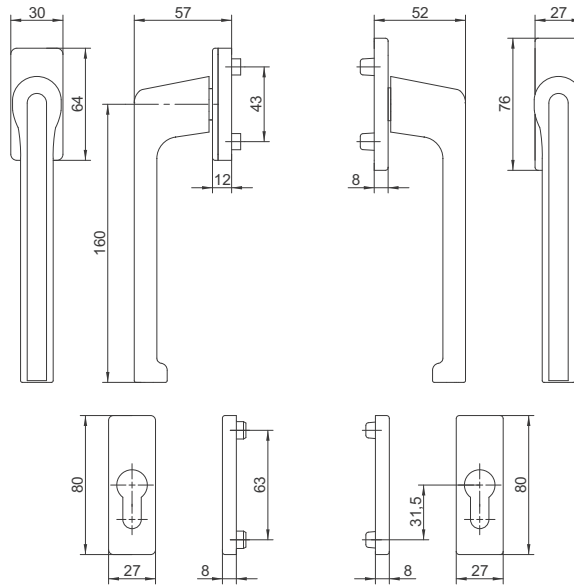
\* optional latch 90°



**501 KB E**

A set of aluminium PSK grips with rectangular rosettes and a set of short plates of the patent insert, 7mm x 130 square spindle, M5x90 screws

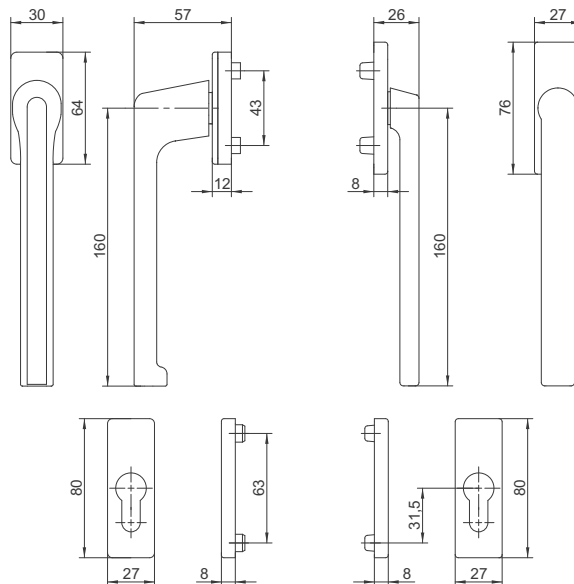
Latch	Colour					
	9016	8019	8077	F1	F4	F9
45°	112-00324	112-00325	112-00999	112-00326	112-00327	112-00328



**501/501R KBR E**

A set of aluminium PSK grips, the external one of which is intended for the shutter, with rectangular rosettes and a set of short plates of the patent insert, 7mm x 130 square spindle, M5x90 screws

Latch	Colour					
	9016	8019	8077	F1	F4	F9
45°	112-01000	112-01001	112-01002	112-01003	112-01004	112-01005

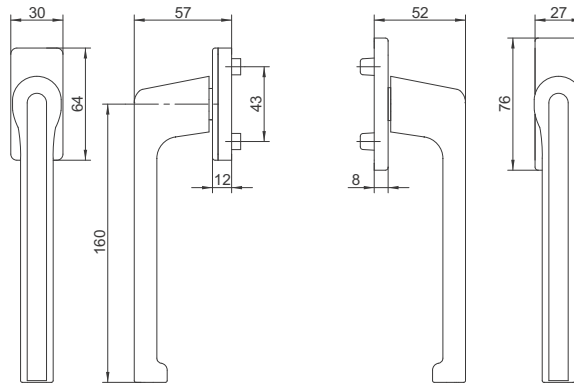




**501 K E**

A set of aluminium PSK grips with rectangular rosettes, 7mm x 130 square spindle, M5x90 screws

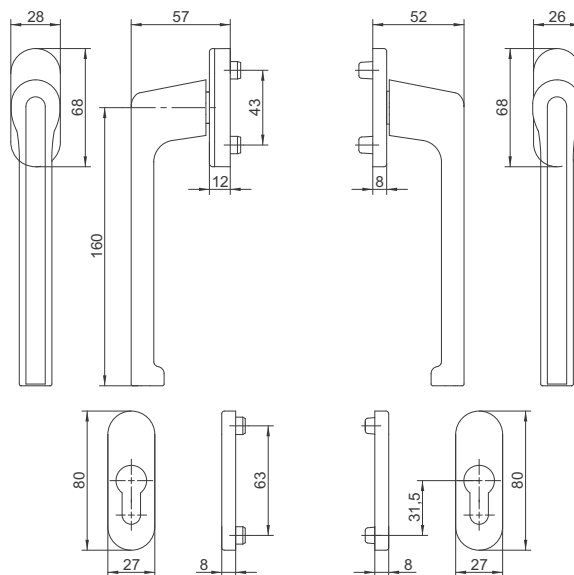
Latch	Colour									
	9016	8019	8077	F1	F4	F9				
45°	112-01006	112-01007	112-01008	112-01009	112-01010	112-01011				



**501 KB**

A set of aluminium PSK grips with oval rosettes and a set of short plates of the patent insert, 7mm x 130 square spindle, M5x90 screws

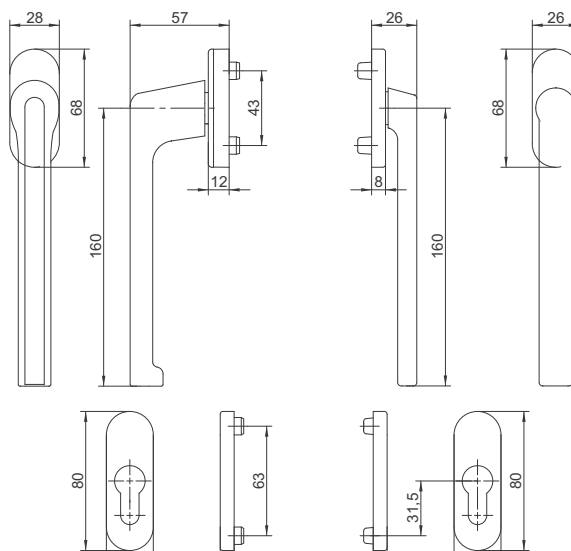
Latch	Colour									
	9016	8019	8077	F1	F4	F9				
45°	112-00150	112-00151	112-01012	112-00153	112-00154	112-00155				



**501/501R KBR**

A set of aluminium PSK grips, the external one of which is intended for the shutter, with oval rosettes and a set of short plates of the patent insert, 7mm x 130 square spindle, M5x90 screws

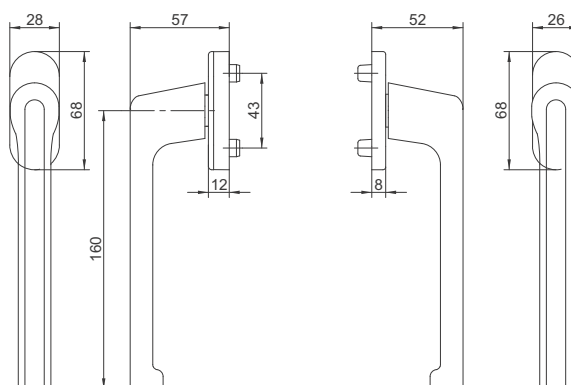
Latch	Colour									
	9016	8019	8077	F1	F4	F9				
45°	112-01013	112-01014	112-01015	112-01016	112-01017	112-01018				



**501 K**

A set of aluminium PSK grips with oval rosettes, 7mm x 130 square spindle, M5x90 screws

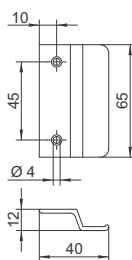
Latch	Colour									
	9016	8019	8077	F1	F4	F9				
45°	112-01019	112-01020	112-01021	112-01022	112-01023	112-01024				



**UB**

Balcony handle made of aluminium profile without mounting

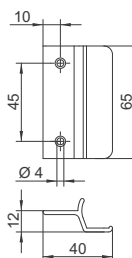
Colour										
9016	8019	8077	F1	F2	F3	F4	F9			
112-00001	112-00002	112-00221	112-00003	112-00004	112-00005	112-00006	112-00007			



**UB S**

Balcony handle made of aluminium profile with mounting

Colour										
9016	8019	8077	F1	F2	F3	F4	F9			
112-00008	112-00009	112-00222	112-00010	112-00011	112-00012	112-00013	112-00014			



A collection of modern door handles in various colors (white, grey, gold, silver) mounted on a wall. The handles are arranged in a cluster, with some overlapping. The background is a light-colored, textured wall. The handles have a sleek, minimalist design with rounded edges and a smooth finish. The lighting is soft, highlighting the metallic and plastic textures.

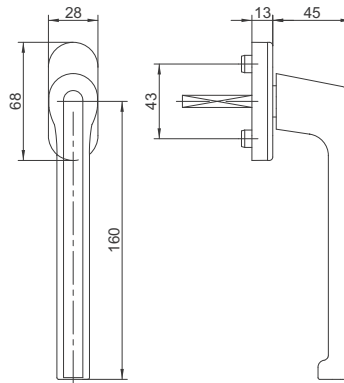
## HANDLES FOR SLIDING SYSTEMS

**501**

Aluminium handle, oval rosette made of ZnAl alloy with handle colour plate, masking screws, square spindle, plugs 10 mm diameter, latch 45° or 90°



Latch	Spindle length	Colour									
		9016	8019	8077	F1	F2	F3	F4	F9		
45°	35	113-00113	113-00114	113-00362	113-00115	113-00116	113-00117	113-00118	113-00119		
	40	113-00001	113-00002	113-00353	113-00003	113-00004	113-00005	113-00006	113-00007		
	45	113-00008	113-00009	113-00363	113-00010	113-00011	113-00012	113-00013	113-00014		
90°	35	113-00120	113-00121	113-00364	113-00122	113-00123	113-00124	113-00125	113-00126		
	40	113-00015	113-00016	113-00365	113-00017	113-00018	113-00019	113-00020	113-00021		
	45	113-00022	113-00023	113-00366	113-00024	113-00025	113-00026	113-00027	113-00028		

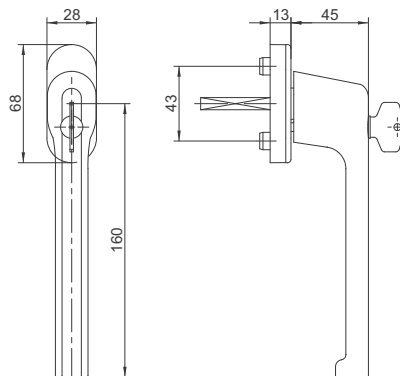


**501A**

Aluminium handle with key cylinder, ZnAl alloy, oval rosette with handle colour plate masking screws, square spindle, plugs 10 mm diameter, latch 45° or 90°



Latch	Spindle length	Colour									
		9016	8019	8077	F1	F2	F3	F4	F9		
45°	35	113-00127	113-00128	113-00367	113-00129	113-00130	113-00131	113-00132	113-00133		
	40	113-00029	113-00030	113-00368	113-00031	113-00032	113-00033	113-00034	113-00035		
	45	113-00036	113-00037	113-00369	113-00038	113-00039	113-00040	113-00041	113-00042		
90°	35	113-00134	113-00135	113-00370	113-00136	113-00137	113-00138	113-00139	113-00140		
	40	113-00043	113-00044	113-00371	113-00045	113-00046	113-00047	113-00048	113-00049		
	45	113-00050	113-00051	113-00372	113-00052	113-00053	113-00054	113-00055	113-00056		

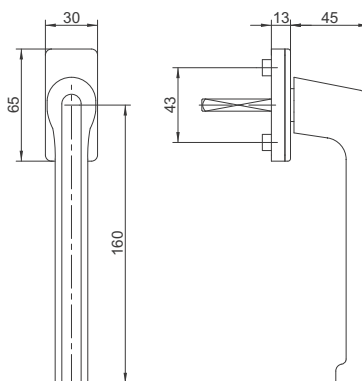


**501 E**

Aluminium handle, plastic, rectangular rosette with metal reinforced handle colour plate masking screws, square spindle, plugs 10 mm diameter, latch 45° or 90°



Latch	Spindle length	Colour									
		9016	8019	8077	F1	F2	F3	F4	F9		
45°	35	113-00141	113-00142	113-00373	113-00143	113-00144	113-00145	113-00146	113-00147		
	40	113-00057	113-00058	113-00374	113-00059	113-00060	113-00061	113-00062	113-00063		
	45	113-00064	113-00065	113-00375	113-00066	113-00067	113-00068	113-00069	113-00070		
90°	35	113-00148	113-00149	113-00376	113-00150	113-00151	113-00152	113-00153	113-00154		
	40	113-00071	113-00072	113-00377	113-00073	113-00074	113-00075	113-00076	113-00077		
	45	113-00078	113-00079	113-00378	113-00080	113-00081	113-00082	113-00083	113-00084		

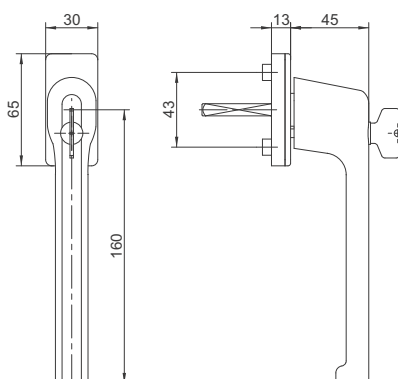


**501A E**

Aluminium handle with key cylinder, plastic, rectangular rosette with metal reinforced handle colour plate masking screws, square spindle, plugs 10 mm diameter, latch 45° or 90°



Latch	Spindle length	Colour									
		9016	8019	8077	F1	F2	F3	F4	F9		
45°	35	113-00155	113-00156	113-00379	113-00157	113-00158	113-00159	113-00160	113-00161		
	40	113-00085	113-00086	113-00380	113-00087	113-00088	113-00089	113-00090	113-00091		
	45	113-00092	113-00093	113-00381	113-00094	113-00095	113-00096	113-00097	113-00098		
90°	35	113-00162	113-00163	113-00382	113-00164	113-00165	113-00166	113-00167	113-00168		
	40	113-00099	113-00100	113-00383	113-00101	113-00102	113-00103	113-00104	113-00105		
	45	113-00106	113-00107	113-00384	113-00108	113-00109	113-00110	113-00111	113-00112		

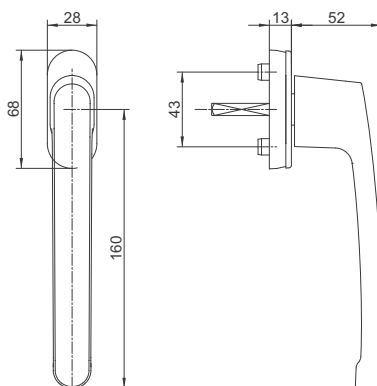


**504**

Aluminium handle, ZnAl alloy, oval rosette with handle colour plate masking screws, square spindle, plugs 10 mm diameter, latch 45° or 90°



Latch	Spindle length	Colour									
		9016	8019	8077	F1	F2	F3	F4	F9		
45°	35	113-00169	113-00170	113-00385	113-00171	113-00172	113-00173	113-00174	113-00175		
	40	113-00176	113-00177	113-00386	113-00178	113-00179	113-00180	113-00181	113-00182		
	45	113-00183	113-00184	113-00387	113-00185	113-00186	113-00187	113-00188	113-00189		
90°	35	113-00190	113-00191	113-00388	113-00192	113-00193	113-00194	113-00195	113-00196		
	40	113-00197	113-00198	113-00389	113-00199	113-00200	113-00201	113-00202	113-00203		
	45	113-00204	113-00205	113-00390	113-00206	113-00207	113-00208	113-00209	113-00210		

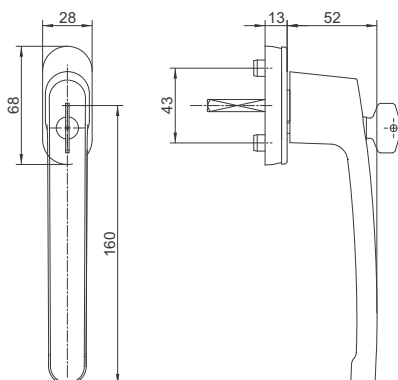


**504A**

Aluminium handle with key cylinder, ZnAl alloy, oval rosette with handle colour plate masking screws, square spindle, plugs 10 mm diameter, latch 45° or 90°



Latch	Spindle length	Colour									
		9016	8019	8077	F1	F2	F3	F4	F9		
45°	35	113-00211	113-00212	113-00391	113-00213	113-00214	113-00215	113-00216	113-00217		
	40	113-00218	113-00219	113-00392	113-00220	113-00221	113-00222	113-00223	113-00224		
	45	113-00225	113-00226	113-00393	113-00227	113-00228	113-00229	113-00230	113-00231		
90°	35	113-00232	113-00233	113-00394	113-00234	113-00235	113-00236	113-00237	113-00238		
	40	113-00239	113-00240	113-00395	113-00241	113-00242	113-00243	113-00244	113-00245		
	45	113-00246	113-00247	113-00396	113-00248	113-00249	113-00250	113-00251	113-00252		





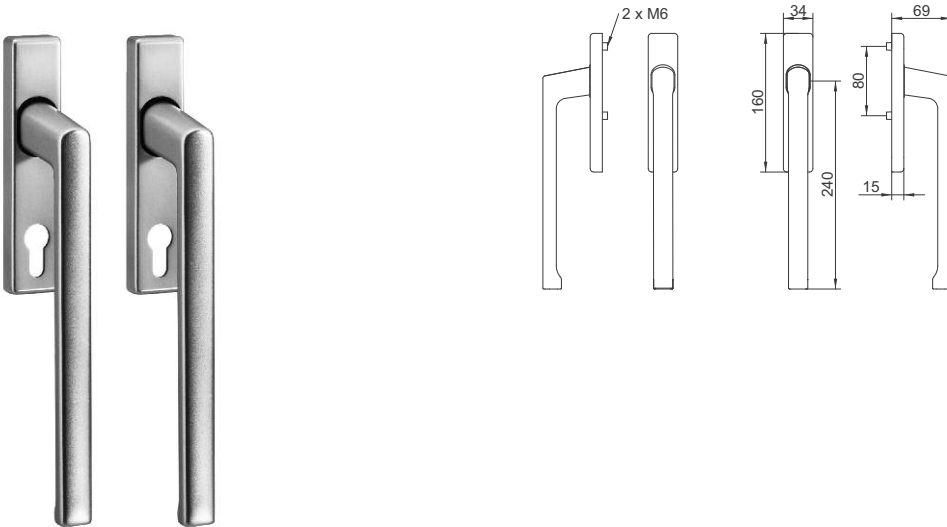
HANDLES HST



**34E-508 HST-PZ**

A set consisting of HST door grips and ZnAl alloy plates with mechanisms for positioning grips, covered with masking caps

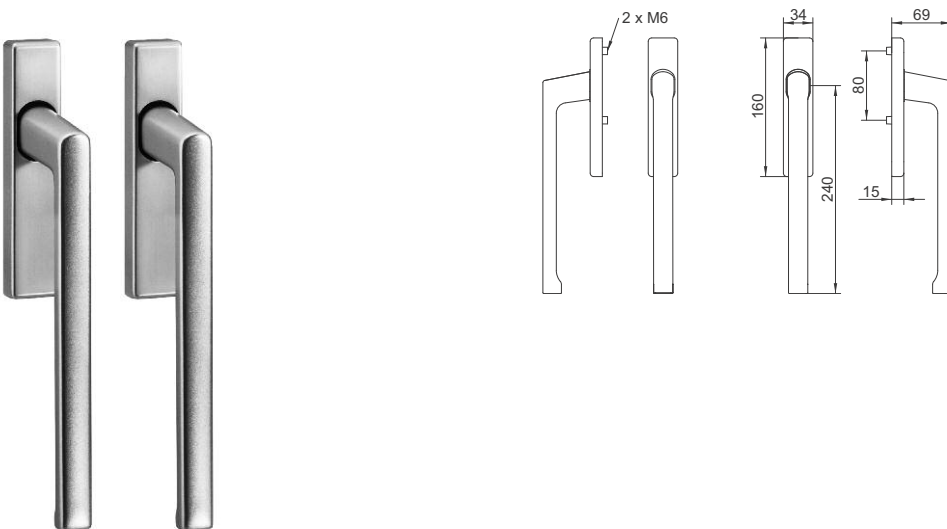
PZ	Colour										
	9016	8019	F1	F2	F3	F4	F9				
	213-00020	213-00021	213-00022	213-00067	213-00068	213-00023	213-00024				



**34E-508 HST-BL**

A set consisting of HST door grips and ZnAl alloy plates with mechanisms for positioning grips, covered with masking caps

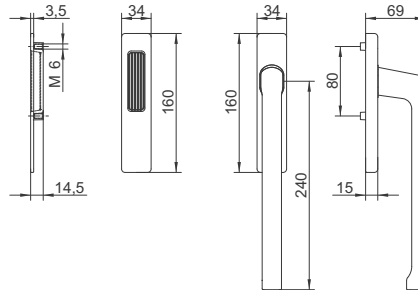
BL	Colour										
	9016	8019	F1	F2	F3	F4	F9				
	213-00025	213-00026	213-00027	213-00069	213-00070	213-00028	213-00029				



**34E-508 HST-PZ-UW**

A set consisting of an HST door grip and an aluminium recessed grip, a ZnAl alloy plate with a mechanism for positioning the grip, covered with a masking cap

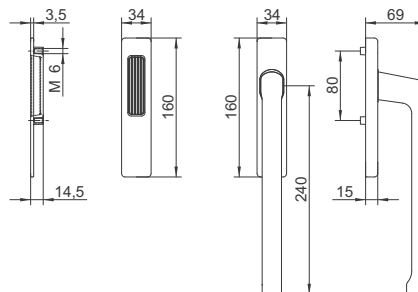
PZ-UW	Colour									
	9016	8019	F1	F2	F3	F4	F9			
	213-00010	213-00011	213-00012	213-00079	213-00080	213-00013	213-00014			



**34E-508 HST-BL-UW**

A set consisting of an HST door grip and an aluminium recessed grip, a ZnAl alloy plate with a mechanism for positioning the grip, covered with a masking cap

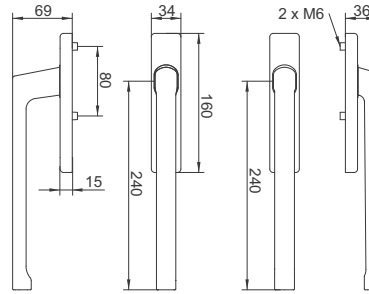
BL-UW	Colour									
	9016	8019	F1	F2	F3	F4	F9			
	213-00015	213-00016	213-00017	213-00065	213-00066	213-00018	213-00019			



**34E-508/508R HST-PZ**

A set consisting of HST door grips, the external one of which is intended for the shutter, and ZnAl alloy plates with mechanisms for positioning grips, covered with masking caps

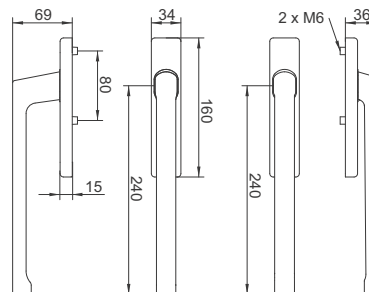
PZ	Colour									
	9016	8019	F1	F2	F3	F4	F9			
	213-00336	213-00335	213-00329	213-00330	213-00331	213-00332	213-00333			



**34E-508/508R HST-BL**

A set consisting of HST door grips, the external one of which is intended for the shutter, and ZnAl alloy plates with mechanisms for positioning grips, covered with masking caps

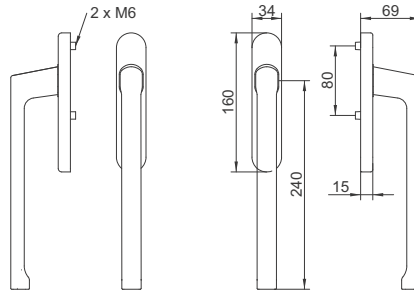
BL	Colour									
	9016	8019	F1	F2	F3	F4	F9			
	213-00328	213-00327	213-00321	213-00322	213-00323	213-00324	213-00325			



**34-508 HST-PZ**

A set consisting of HST door grips and ZnAl alloy plates with mechanisms for positioning grips, covered with masking caps

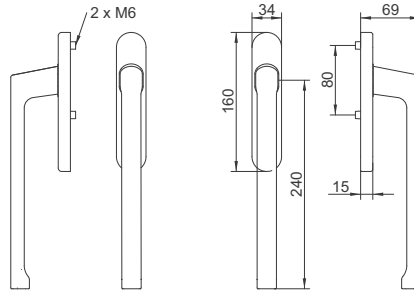
PZ	Colour										
	9016	8019	F1	F2	F3	F4	F9				
	213-00098	213-00099	213-00101	213-00102	213-00103	213-00104	213-00105				



**34-508 HST-BL**

A set consisting of HST door grips and ZnAl alloy plates with mechanisms for positioning grips, covered with masking caps

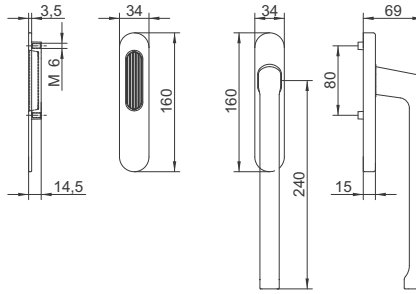
BL	Colour										
	9016	8019	F1	F2	F3	F4	F9				
	213-00106	213-00107	213-00109	213-00110	213-00111	213-00112	213-00113				



**34-508 HST-PZ-UW**

A set consisting of an HST door grip and an aluminium recessed grip, a ZnAl alloy plate with a mechanism for positioning the grip, covered with a masking cap

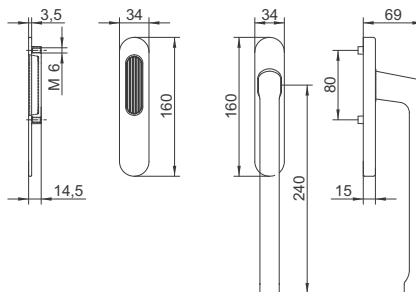
PZ-UW	Colour										
	9016	8019	F1	F2	F3	F4	F9				
	213-00082	213-00083	213-00085	213-00086	213-00087	213-00088	213-00089				



**34-508 HST-BL-UW**

A set consisting of an HST door grip and an aluminium recessed grip, a ZnAl alloy plate with a mechanism for positioning the grip, covered with a masking cap

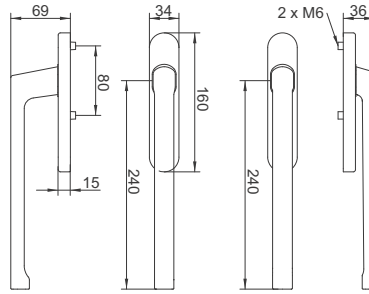
BL-UW	Colour										
	9016	8019	F1	F2	F3	F4	F9				
	213-00090	213-00091	213-00093	213-00094	213-00095	213-00096	213-00097				



**34-508/508R HST-PZ**

A set consisting of HST door grips, the external one of which is intended for the shutter, and ZnAl alloy plates with mechanisms for positioning grips, covered with masking caps

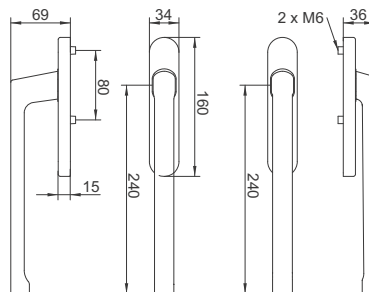
PZ	Colour										
	9016	8019	F1	F2	F3	F4	F9				
	213-00320	213-00319	213-00313	213-00314	213-00315	213-00316	213-00317				



**34-508/508R HST-BL**

A set consisting of HST door grips, the external one of which is intended for the shutter, and ZnAl alloy plates with mechanisms for positioning grips, covered with masking caps

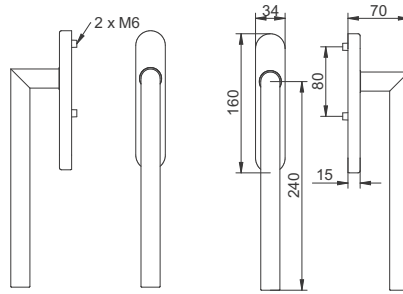
BL	Colour										
	9016	8019	F1	F2	F3	F4	F9				
	213-00312	213-00311	213-00305	213-00306	213-00307	213-00308	213-00309				



**34-1010 HST-PZ**

A set consisting of HST door grips and ZnAl alloy plates with mechanisms for positioning grips, covered with masking caps

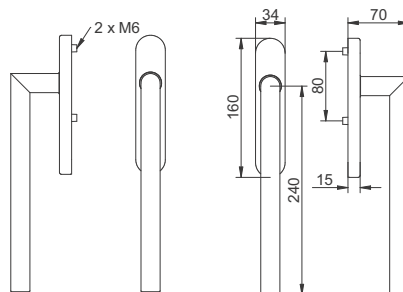
PZ	Colour										
	9016	8019	F1	F2	F3	F4	F9	ES			
	213-00426	213-00427	213-00429	213-00430	213-00431	213-00432	213-00433	213-00434			



**34-1010 HST-BL**

A set consisting of HST door grips and ZnAl alloy plates with mechanisms for positioning grips, covered with masking caps

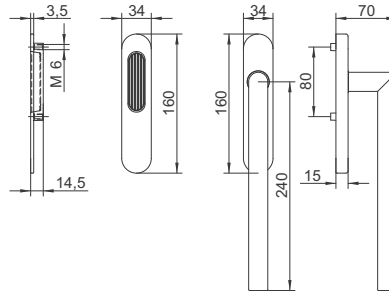
BL	Colour										
	9016	8019	F1	F2	F3	F4	F9	ES			
	213-00417	213-00418	213-00420	213-00421	213-00422	213-00423	213-00424	213-00425			



**34-1010 HST-PZ-UW**

A set consisting of an HST door grip and an aluminium recessed grip, a ZnAl alloy plate with a mechanism for positioning the grip, covered with a masking cap

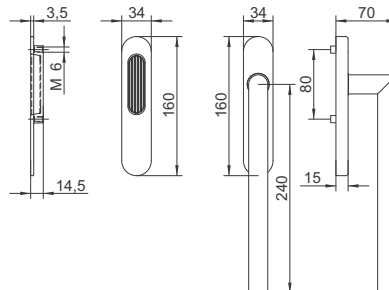
PZ-UW	Colour										
	9016	8019	F1	F2	F3	F4	F9	ES			
	213-00444	213-00445	213-00447	213-00448	213-00449	213-00450	213-00451	213-00452			



**34-1010 HST-BL-UW**

A set consisting of an HST door grip and an aluminium recessed grip, a ZnAl alloy plate with a mechanism for positioning the grip, covered with a masking cap

BL-UW	Colour										
	9016	8019	F1	F2	F3	F4	F9	ES			
	213-00435	213-00436	213-00438	213-00439	213-00440	213-00441	213-00442	213-00443			

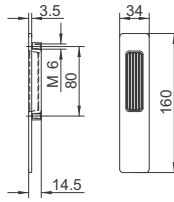




Recessed grip  
34E

Rectangular recessed grip for sliding doors

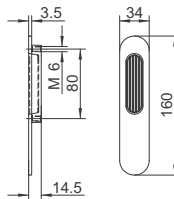
E-UW	Colour									
	9016	8019	F1	F2	F3	F4	F9			
	548-00109	548-00110	548-00111	548-00203	548-00204	548-00112	548-00113			



Recessed grip  
34

Oval recessed grip for sliding doors

UW	Colour									
	9016	8019	F1	F2	F3	F4	F9			
	548-00191	548-00192	548-00193	548-00194	548-00195	548-00196	548-00197			





# DOOR HANDLES

**FKS**

# TECHNICAL INFORMATION



## DOOR HANDLES

Door handles is the largest group of products. In the catalogue we have divided them into sections that relate to types of doors, which are used both in housing and in public buildings.

## PRODUCTS NUMBERS

35A	1200	G3/O	ZA
↓	↓	↓	↓
Plate type	Handle type	Type and function of knob / handrail	Keyhole type

Designation of our door handles easily inform about the type of plate and applied set of handles or a combination of the handle with other grip. E.g. 35A/1200 G3/O ZA

- 35A** – series of plates with covered screws.  
Lack of letter A indicates plates with exposed screws
- 1200** – handle type
- G3** – type of knob or handrail (e.g. „P” or „L”), no symbol means a set composed only of door handles
- O** – function of the knob: „O” rotary knob, „S” in case of fixed knob
- ZA** – marking of the keyhole, type of lock cylinder

No sign identifies a standard PZ hole

## HANDLES AND KNOBS

The most popular set of door hardware are plates with handles on both sides of the door. Most of these sets mechanism are provided with mechanism facilitating movement of the handle. It is a universal solution, not requiring special explanations.

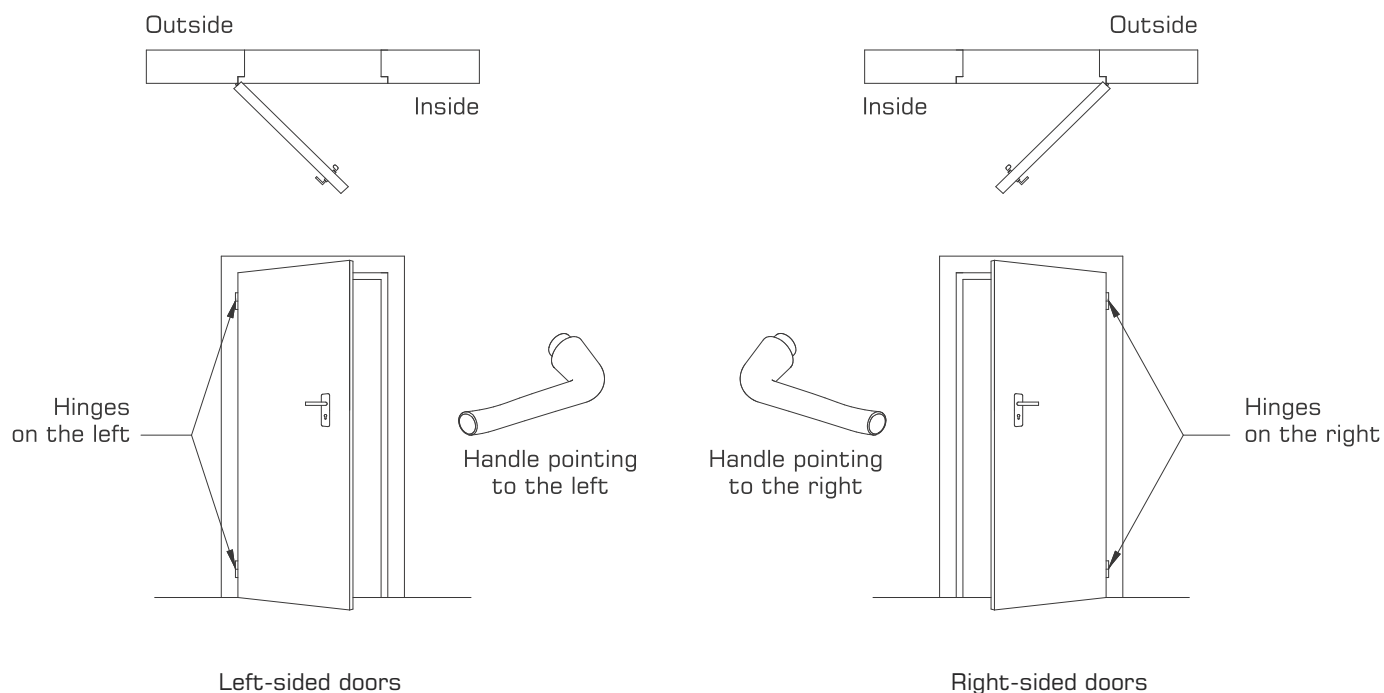
Customers often decide to apply knobs or handles on the outer side. Thus, in our offer we present a number of products equipped with this type of grips.

Most of them are fixed elements, but some knobs are available in two versions: fixed and rotating. Fixed grips have been used wherever we want to quickly shut the door without the need of turning the key. In case of these grips it is important which door they are intended for, the right ones or the left ones.



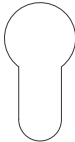
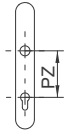
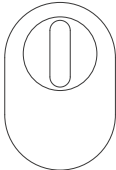

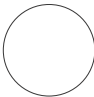
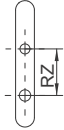

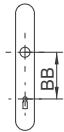



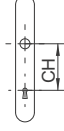
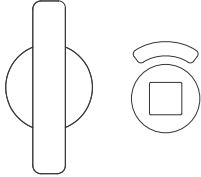
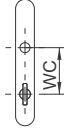

## RIGHT AND LEFT DOORS

The advantage of our doors sets is their versatility in terms of the direction of door opening. We have obtained it thanks to thought-through technical solutions. Attention to right and left direction should be paid in case of using sets containing one of the fixed knobs or handrail with asymmetrical shape. This situation also arises in the case of object handles series 45 with support. Direction of the door opening is defined in DIN 107. The easiest way to present this issue is the following figure. As can be seen, the easiest way is to determine which side the hinges are, looking at the door from the inside.

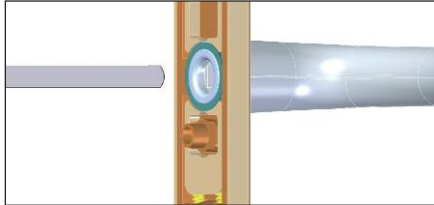


# TYPES OF HOLES IN PLATES FOR VARIOUS KEYS

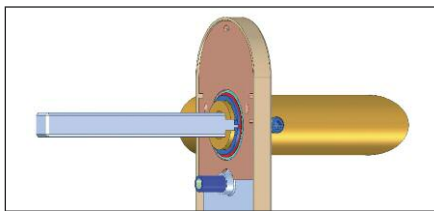
We distinguish basic types of holes in the door:

Hole type	Appearance	Applied spacing					
PZ		 <table border="0" data-bbox="1289 376 1347 524"> <tr><td>PZ</td></tr> <tr><td>70</td></tr> <tr><td>72</td></tr> <tr><td>85</td></tr> <tr><td>92</td></tr> </table>	PZ	70	72	85	92
PZ							
70							
72							
85							
92							
ZA		 <table border="0" data-bbox="1289 600 1347 689"> <tr><td>ZA</td></tr> <tr><td>72</td></tr> <tr><td>92</td></tr> </table>	ZA	72	92		
ZA							
72							
92							
RZ		 <table border="0" data-bbox="1289 813 1347 902"> <tr><td>RZ</td></tr> <tr><td>78</td></tr> <tr><td>94</td></tr> </table>	RZ	78	94		
RZ							
78							
94							
BB		 <table border="0" data-bbox="1289 1014 1347 1104"> <tr><td>BB</td></tr> <tr><td>72</td></tr> <tr><td>92</td></tr> </table>	BB	72	92		
BB							
72							
92							
OB		 <table border="0" data-bbox="1289 1211 1347 1301"> <tr><td>OB</td></tr> <tr><td>72</td></tr> <tr><td>92</td></tr> </table>	OB	72	92		
OB							
72							
92							
CH		 <table border="0" data-bbox="1289 1406 1347 1496"> <tr><td>CH</td></tr> <tr><td>72</td></tr> <tr><td>92</td></tr> </table>	CH	72	92		
CH							
72							
92							
WC		 <table border="0" data-bbox="1289 1603 1347 1693"> <tr><td>WC</td></tr> <tr><td>72</td></tr> <tr><td>78</td></tr> </table>	WC	72	78		
WC							
72							
78							
UG		 <table border="0" data-bbox="1289 1821 1347 1854"> <tr><td>UG</td></tr> </table>	UG				
UG							

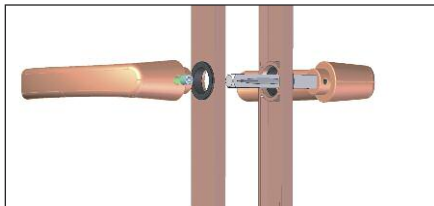
# TECHNICAL SOLUTIONS



Most of the grips are mounted on a plate by riveting, wherein the handle is free to rotate thanks to applying a set of sleeves made of plastic and ZnAl alloy. Clearance of the handle is reduced by a steel spring washer. It is a very durable and safe connection.



Another solution is to protect the handle with an embedded ring, mounted on the grip sleeve. It combines the grip of the grip. We applied such technology in object handles. To meet the other requirements of the standard we applied screws which clamp on the steel spindle of the door set.

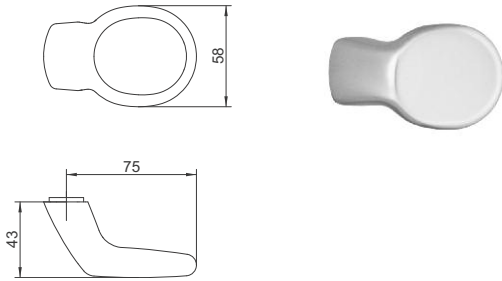


A very simple solution is using free door handles, an example are handles for plates 24 (pp. 172-174), where one handle has an internal thread M6, in which there is a screw, which during assembly is clamped on the spindle and the second handle, is permanently connected to the steel spindle.

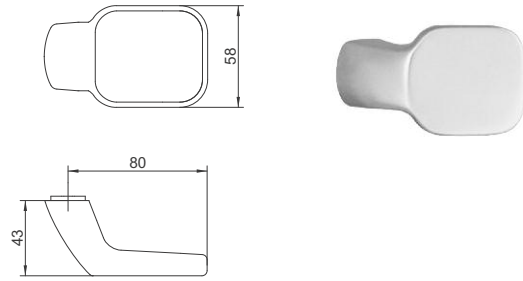


With a wide range of products, we enable the Customer to choose from a variety of handles, as well as knobs and handles. You can propose your own ideas for implementation of these elements. Knobs and handrails are available in many different embodiments. The rest of the catalogue presents a whole range of these types of items.

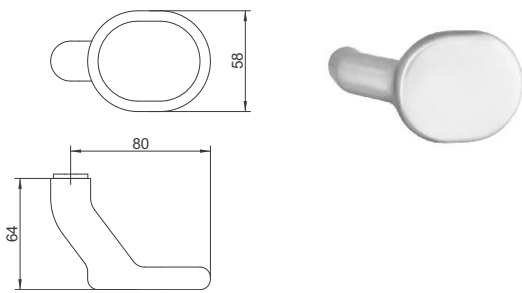
**G1**



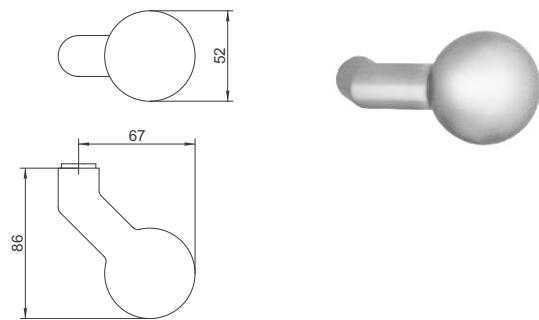
**G2**



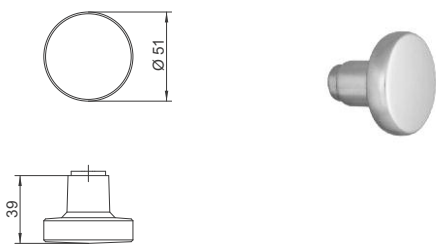
**G3**



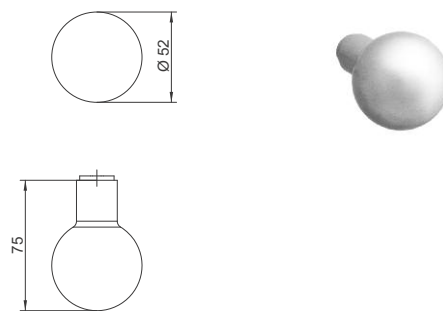
**G4**



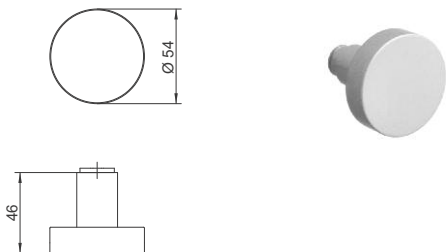
**G5**



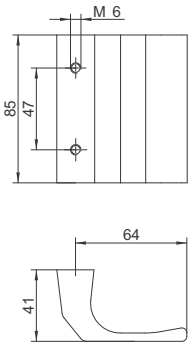
**G6**



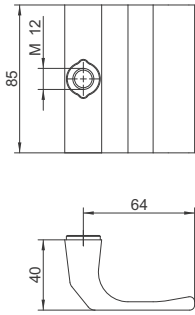
**G7**



**L1**

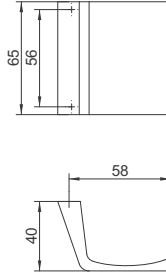


**L4**

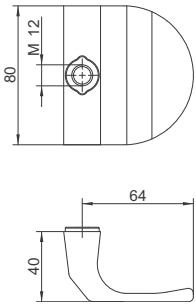


L4 differs from L1 with the method for assembling the plate

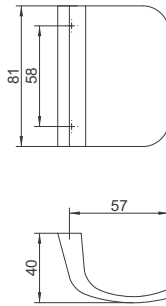
**L2**



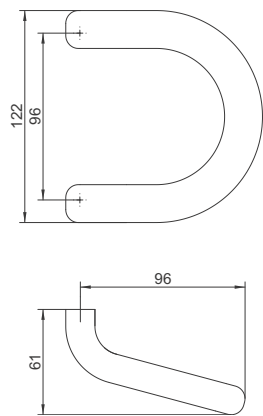
**L3**



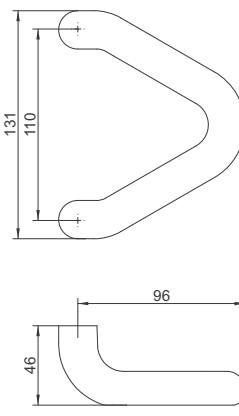
**L7**



**P**



**V**

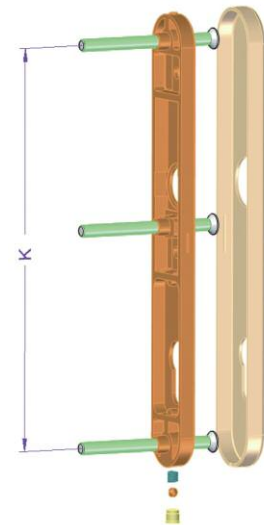
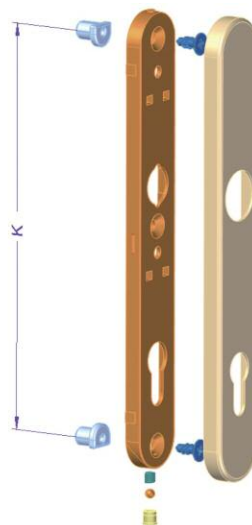
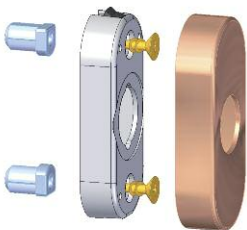
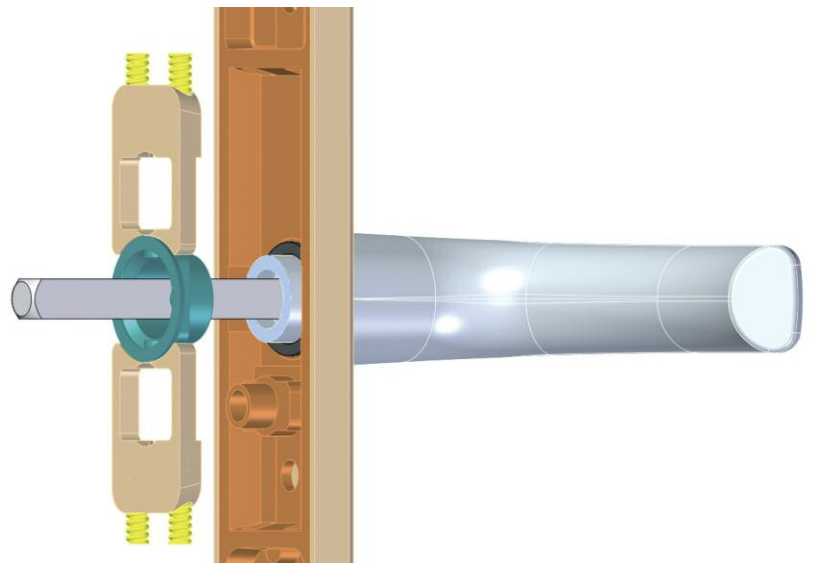






We use mechanism assisting the handle to many types of door handles. Using it you can feel confident that the grip will always return to the position 90°, we relief the lock mechanism in the door lock, prolonging its life. Opening the door equipped with this mechanism we gain a sense of quality.

To meet various needs of our Customers, we offer our door handles in two basic spacing of mounting lugs K 210 mm and 216 mm. Exterior and interior plates have lugs that protrude to allow mounting the plate on the door. In case of mounting only the internal plates we give the possibility of installing them with special plugs (details see p. 289). This allows using the plate only on one side of the profile, without the need to drill through the door.



# CERTIFICATES

The hardware market offers a diverse range of products. Especially important are burglar-protected, fire-protected and object fittings that meet both production and usage standards. Norms and standards are our most important instruments to guarantee you long-term quality and safety. We work to meet the standards, not only national but also international. In the catalogue products that meet specific standards are marked with graphic symbols placed next to the product.

### Evidence of Performance

Security plates and Security rose according to EN 1906 : 2012 and DIN 18257 : 2003

**Test report**  
No. 14-001189-PR01  
(PB-G03-03-en-01)

**Client** FKS Okucia Okienne I Drzwiowe Sp. z o.o.  
Morownicka 1c  
64-030 Smigiel  
Polen

**Product** Security plate with cylinder cover

**Designation** 35ES1/1200/G/KZ (Art. Nr. 40331530)


**Performance-relevant product details**  
Material plate: aluminium, brass, stainless steel  
Distance: 92 mm und 72 mm  
Boring: Profile cylinder  
Fixing: 3 Hexagon head screw M6 x 55 mm  
Execution: PIVIS  
Stiffening cam: 3 Stiffening cam with Ø 6mm female thread and outside Ø 10mm

**Installation and assembly**  
According to installation and assembly instructions of hardware manufacturer. Stand 12.12.2013

**Special features** -/-

**Result**  
Classification as per EN 1906 : 2012 – Burglary security  
**Klasse 2**  
Classification as per DIN 18257 : 2003  
**DIN 18257 – ES 1 – L - ZA**

**ift Rosenheim**  
23.04.2014



Alexander Sauer, Dipl.-Ing. (FH)  
Operating Product Officer  
Building Components


Andrzej Stojner  
Head of Laboratory  
Mechanics



**Standards**  
EN 1906 : 2012  
DIN 18257 : 2003

**Test standard:**  
EN 1906 : 2012  
DIN 18257 : 2003

Corresponds to the national versions (e. g. DIN EN) Representation



**Instruction for use**  
This test report demonstrates compliance with the requirements of hardware as per EN 1906: 2012 and DIN 18257: 2003.

**Validity**  
The data and detailed results given refer solely to the tested and described test specimen. Classification remains valid as long as the product and the above basis remain unchanged. This test / evaluation does not allow any statement to be made on any further characteristics regarding performance and quality of the construction submitted. In particular the effects of weathering and ageing were not considered.

**Notes on publication**  
The Ift Guidance Sheet "Conditions and Guidance for the Use of Ift Test Documents" applies.  
The cover sheet can be used as an abstract.  
The report comprises a total of 15 pages.

ift Rosenheim GmbH  
Geschäftsführer:  
Dr. Jochen Pfeifer  
Prof. Ulrich Griebahn

Trustee: Prof. Dr. Th. G. O. Rosenheim  
Tel. +49 (0)8181 9281-0  
Fax. +49 (0)8181 9281-300  
www.ift-rosenheim.de

Stp. 80208 Rosenheim  
AG Traunstein, HRB 14163

Banking: Sparkasse Rosenheim  
BANK LEHRERSTRASSE 10  
SWIFT-BIC: SPARKRO333

Accounting Date  
1st Half Year 2012

DAAS  
DIN EN ISO 9001:2008  
DIN EN ISO 14001:2004

SKG-ROB Certificate  
Puppenbauseweg 55  
4191 NZ Gelsdorfhausen  
Postbus 202  
4190 CE Gelsdorfhausen

T 089 2410100  
info@skgkob.nl  
www.skgkob.nl

### SKG-IKOB PRODUCTCERTIFICATE

441.633.01

Date of issue: 13-10-2016

**Certificate holder**  
FKS Okucia Okienne I Drzwiowe Sp zoo  
Bronikowo, Morownicka 1c  
P64-030 Smigiel  
T : + 48 (0) 6551 88 024  
E: fks@home.pl  
I : www.fks.home.pl





**Declaration of SKG-IKOB**  
This certificate has been issued on the basis of BRL 3104 in accordance with the SKG-IKOB Regulations for Attestation, Certification and Inspection.

SKG-IKOB declares that the by or on behalf of the certificate owner produced building hardware product:

**narrow plate**  
delivered under logo / brand:  
**FKS**  
delivered under type- and / or article number:  
**TYP 35 SKG xxxx PZ 92 , TYP 35 SKG xxxx KZ 92**  
meets class 3 STER according BRL 3104 and NEN 5089: 2009 if the product is indelibly marked with the SKG mark, as shown above.

For SKG-IKOB



H. A. J. van Driel  
Certification manager

Verify at [www.stroomwajzer.nl](http://www.stroomwajzer.nl) if this certificate is still valid and actual.  
This certificate contains 2 pages.

CERTIFICATE

SKG-ROB Certificate  
Puppenbauseweg 55  
4191 NZ Gelsdorfhausen  
Postbus 202  
4190 CE Gelsdorfhausen

T 089 2410100  
info@skgkob.nl  
www.skgkob.nl

SKG-IKOB Certificate  
Puppenbauseweg 55  
4191 NZ Gelsdorfhausen  
Postbus 202  
4190 CE Gelsdorfhausen

T 089 2410100  
info@skgkob.nl  
www.skgkob.nl

### SKG-IKOB PRODUCTCERTIFICATE

441.632.02

Date of issue: 22-02-2019

**Certificate holder**  
FKS Okucia Okienne I Drzwiowe Sp zoo  
Bronikowo, Morownicka 1c  
P64-030 Smigiel  
T : + 48 (0) 6551 88 024  
E: fks@home.pl  
I : www.fks.home.pl





**Declaration of SKG-IKOB**  
This certificate has been issued on the basis of BRL 3104 in accordance with the SKG-IKOB Regulations for Attestation, Certification and Inspection.

SKG-IKOB declares that the by or on behalf of the certificate owner produced building hardware product:

**narrow plate**  
delivered under logo / brand:  
**FKS**  
delivered under type- and / or article number:  
**TYP 30 SKG xxxx**  
meets class 2 STER according BRL 3104 and NEN 5089: 2009 if the product is indelibly marked with the SKG mark, as shown above.

For SKG-IKOB



H. A. J. van Driel  
Certification manager

Verify at [www.stroomwajzer.nl](http://www.stroomwajzer.nl) if this certificate is still valid and actual.  
This certificate contains 2 pages.

CERTIFICATE

SKG-ROB Certificate  
Puppenbauseweg 55  
4191 NZ Gelsdorfhausen  
Postbus 202  
4190 CE Gelsdorfhausen

T 089 2410100  
info@skgkob.nl  
www.skgkob.nl

SKG-IKOB Certificate  
Puppenbauseweg 55  
4191 NZ Gelsdorfhausen  
Postbus 202  
4190 CE Gelsdorfhausen

T 089 2410100  
info@skgkob.nl  
www.skgkob.nl

### SKG-IKOB PRODUCTCERTIFICATE

441.633.03

Date of issue: 22-02-2019

**Certificate holder**  
FKS Okucia Okienne I Drzwiowe Sp zoo  
Bronikowo, Morownicka 1c  
P64-030 Smigiel  
T : + 48 (0) 6551 88 024  
E: fks@home.pl  
I : www.fks.home.pl





**Declaration of SKG-IKOB**  
This certificate has been issued on the basis of BRL 3104 in accordance with the SKG-IKOB Regulations for Attestation, Certification and Inspection.

SKG-IKOB declares that the by or on behalf of the certificate owner produced building hardware product:

**Long plate**  
delivered under logo / brand:  
**FKS**  
delivered under type- and / or article number:  
**S2SKG -KZ 72/92-H-01/02 , S2SKG-KZ72/92-FKS-01/02**  
meets class 3 STER according BRL 3104 and NEN 5089: 2009 if the product is indelibly marked with the SKG mark, as shown above.

For SKG-IKOB



H. A. J. van Driel  
Certification manager

Verify at [www.stroomwajzer.nl](http://www.stroomwajzer.nl) if this certificate is still valid and actual.  
This certificate contains 2 pages.

CERTIFICATE

SKG-ROB Certificate  
Puppenbauseweg 55  
4191 NZ Gelsdorfhausen  
Postbus 202  
4190 CE Gelsdorfhausen

T 089 2410100  
info@skgkob.nl  
www.skgkob.nl

SKG-IKOB Certificate  
Puppenbauseweg 55  
4191 NZ Gelsdorfhausen  
Postbus 202  
4190 CE Gelsdorfhausen

T 089 2410100  
info@skgkob.nl  
www.skgkob.nl

**MPA NRW**

**Materialprüfungsamt Nordrhein-Westfalen**  
Prüfen · Überwachen · Zertifizieren

**Übereinstimmungszertifikat**  
**NRW02-00043-01**  
(Version: 01)

Hiermit wird gemäß § 25 Abs. 2 Nr. 2 der Bauordnung für das Land Nordrhein-Westfalen – Landesbauordnung – (BauO NRW) in der Fassung der Bekanntmachung vom 01.03.2000 (GV. NRW., S.256), zuletzt geändert am 20.05.2014 (GV. NRW., S. 294) bestätigt, dass das Bauprodukt

**FS- Beschläge**

des Herstellers  
**FKS Okucia Okienne i Drzwiowe Sp. Z o.o**  
Bronikowo ul. Morownicka 1c  
64-030 Śmigiel  
Polen

Hergestellt im Herstellwerk  
**FKS Okucia Okienne i Drzwiowe Sp. Z o.o**  
Bronikowo ul. Morownicka 1c  
64-030 Śmigiel  
Polen  
**DO 20.35**

entsprechend den Ergebnissen

- der werkseitigen Produktionskontrolle des Herstellers,
- der Produktprüfung durch das MPA NRW und
- der Fremdüberwachung durch das MPA NRW den Anforderungen der

**der technischen Regel gemäß Bauregelliste A Teil 1, lfd. Nr. 6.17, DIN 18273 FS**

entspricht.

Das Herstellwerk ist somit berechtigt, das Bauprodukt mit dem Übereinstimmungszeichen (Ü-Zeichen) gemäß der Übereinstimmungszeichen-Verordnung zu kennzeichnen.

Das Zertifikat ist gültig bis **19.09.2021**

Dortmund, 19.09.2016



Dieses Zertifikat umfasst 1 Seite und 1 Anlage(n).

Dieses Zertifikat ersetzt das Zertifikat Reg.-Nr. NRW02-00043 vom 21.10.2014.

Materialprüfungsamt Nordrhein-Westfalen · Marsbruchstraße 186 · 44287 Dortmund · Telefon +49 (0)231 4502-0 · Telefax +49 (0)231 458549 · MPA NRW Brandprüfzentrum Erwitte · Auf den Thüren 2 · 89597 Erwitte · Telefon +49 (0)2943 897-0 · Telefax +49 (0)2943 897-89 · E-Mail: info@mpa.nrw.de · www.mpanwv.de

**PIV CERT**

**ZERTIFIKAT**  
Certificate

**FKS Okucia Okienne i Drzwiowe Sp. z o.o.**  
Bronikowo, ul. Morownicka 1c  
64-030 Śmigiel  
Polen/ Poland

wird für das Produkt/ for the product

**Schutzbeschlag/**  
Security door handle set  
DIN 18257:2015-06  
ES1-L und/ and ES1-L-ZA  
Korrosionsbeständigkeit/ Corrosion resistance  
DIN EN 1670, Klasse/ Class 4

mit der Produktbezeichnung/ with the product name  
**52A**

Art. Nr./ Item no.: 52A/1090G  
weitere Art. Nrn. siehe Produktmatrix/ additional product versions, see product matrix

in der Ausführung/ in the version  
**Langschild PZ / ZA/ Long plate set PZ / ZA**

geliefert in der Fertigungsstätte/ manufactured in the production plant  
FKS Okucia Okienne i Drzwiowe Sp. z o.o.  
Bronikowo, ul. Morownicka 1c  
64-030 Śmigiel  
Polen/ Poland

die Konformität mit dem Zertifizierungsprogramm 20004 PIV CERT bestätigt  
und das Recht zum Führen des PIV CERT Zeichens/  
is in conformity with the certification program 20004 PIV CERT and that the product is entitled to bear the symbol

in Verbindung mit der Registernummer 3V51 erteilt/  
in conjunction with the registration number 3V51

PIV CERT Zertifizierungsvereinigung/  
PIV CERT Association of certification  
Wallastraße 41, D-42551 Velbert  
Dieses Zertifikat folgt der Publikation Nr. 3-12/13 und 3-12/12/115  
New PIV regulation.  
Erstellungsjahr der Fertigungsart: 2014. Die Gültigkeit endet 12/2022.  
This certificate is based on the test report no. 34712 and 34713. 10 kg 90.  
Publication of the substance 12/2017. E-mail: info@pivcert.de



O. Jasko, Exp. - ITB (FH)  
Leiter der Zertifizierungsstelle/  
Director of the Certification Office  
11. Dezember/ December 2017

PIV CERT Zertifizierungsvereinigung · Wallastraße 41 · 42551 Velbert

**Instytut Techniki Budowlanej**  
ZAKŁAD INŻYNIERII ELEMENTÓW BUDOWLANYCH

ZESPÓŁ LABORATORIÓW BADAWCZYCH  
LABORATORIUM ELEMENTÓW BUDOWLANYCH

**ŚWIADECTWO BADAŃ NR 01-02136/17/Z00NZE**

PRODUCENT: **FKS OKUCIA OKIENNE I DRZWIOWE Sp. z o.o.**  
Bronikowo, ul. Morownicka 1C,  
64-030 ŚMIGIEL

WYRÓB:

Okucia drzwiowe wraz z klamkami (o zwiększonej odporności na włamanie):

- okucie 50/3/1030 PZ72
- okucie 50/2/1003 PZ72
- okucie 50/2/1003 KZ72

ZAKŁAD INŻYNIERII ELEMENTÓW BUDOWLANYCH ITB /  
LABORATORIUM ELEMENTÓW BUDOWLANYCH potwierdza  
przeprowadzenie badań okuć drzwiowych wraz z klamkami (50/3/1030;  
PZ72 50/2/1003; PZ72 50/2/1003 KZ72) wg normy PN-EN 1906:2013-04

Właściwości	Wymagania	KLASA		
		50/3/1030 PZ72	50/2/1003 PZ72	50/2/1003 KZ72
Kategoria użytkowania	PN-EN 1906:2012	3	3	3
Trwałość	PN-EN 1906:2012	7	7	7
Masa drzwi	PN-EN 1906:2012	-	-	-
Odporność ogniowa	PN-EN 1906:2012	0	0	0
Bezpieczeństwo	PN-EN 1906:2012	1	1	1
Odporność na korbację	PN-EN 1906:2012	3	3	3
Zabezpieczenie	PN-EN 1906:2012	1	2	3
Typ działania	PN-EN 1906:2012	U	B	B

Wyniki badań oraz szczegółowy opis badanego elementu zawarte są w raporcie z badań LZE01-02136/17/Z00NZE.

Odpowiedzialny za badanie:  
mgr inż. Stefan Nowakowski

Osoba autoryzująca  
mgr inż. Włodzisław Woźniak

Kierownik Zakładu Inżynierii Elementów Budowlanych ITB  
Kierownik Laboratorium  
mgr inż. Marzena Jakimowicz  
Poznań, dnia 18.03.2021 r.

Termin ważności świadectwa: 18.03.2021 r.  
ŚWIADECTWO BADAŃ nr 01-02136/17/Z00NZE nie jest dokumentem dopuszczającym do obrotu, jest dokumentem potwierdzającym uzyskanie wyników badań w zakresie sprawozdanych właściwości. Wypracowanie wyrobu do obrotu i stosowania powinno być zgodne z obowiązującymi przepisami i przepisami w miejscu zastosowania.

ZAKŁAD INŻYNIERII ELEMENTÓW BUDOWLANYCH  
Warszawa | ul. Kaszewów 21 | tel. 22 56 64 260 | fax 22 56 64 215 | e-mail: przegrody@itb.pl  
Filia Poznań | ul. Taczakowa 12 | tel. 61 853 76 29 | fax 61 853 78 33 | e-mail: przegrody.poznan@itb.pl  
Instytut Techniki Budowlanej | ul. Taczakowa 12 | tel. 22 823 01 71 | fax 22 823 02 02 | ul. Główna 22 | tel. 22 625 25 95 - 22 625 15 03 | fax 22 825 21 50 | KRS: 0000158785 | REGON: 000063850 | NIP: 525 000 93 58 | www.itb.pl | instytut@itb.pl

**INSTYTUT TECHNIKI BUDOWLANEJ**  
ZAKŁAD CERTYFIKACJI

ul. FILTROWA 1, 00-611 WARSZAWA  
tel.: (22) 57 96 167, (22) 57 96 168, fax: (22) 57 96 295  
e-mail: certyfikacja@itb.pl, www.itb.pl

**CERTYFIKAT ZGODNOŚCI**  
Nr ITB-1350/W

Potwierdza się, że:

**Klamki, gałki i uchwyty drzwiowe z tarczami jednolitymi  
długimi, z otworem do wkładki bębnekowej  
o zwiększonej odporności na włamanie**

okucia uchwytyowo-osłonowe typ: 52A/1200, 52A/1200P, 52A/1200G  
3 7 - 0 1 3 3 U

okucia uchwytyowo-osłonowe typ: 35A/1200, 35A/1200P, 35A/1200G, 35A/2200, 35A/2200V, 35A/2200G  
3 7 - 0 1 3 2 B

wprowadzone do obrotu pod nazwą lub znakiem firmowym producenta:  
**FKS Okucia Okienne i Drzwiowe Sp. z o.o.**  
ul. Morownicka 1 C, Bronikowo  
64-030 Śmigiel

i wytwarzane w zakładzie produkcyjnym:  
**FKS Okucia Okienne i Drzwiowe Sp. z o.o.**  
ul. Morownicka 1 C, Bronikowo  
64-030 Śmigiel

spełniają wymagania określone w:  
**PN-EN 1906:2012**

Producent wdrożył system zakładowej kontroli produkcji i prowadzi badania próbek wyrobu, pobranych w zakładzie produkcyjnym, zgodnie z planem badań.

Zakład Certyfikacji ITD przeprowadził własne badania typu oraz własną inspekcję zakładowej kontroli produkcji i zakładowej kontroli produkcji, prowadzi stały nadzór, ocenę i akceptację zakładowej kontroli produkcji.

Niniejszy certyfikat jest dokumentem dobrowolnym. Proces dobrowolnej certyfikacji został przeprowadzony zgodnie z Programem Certyfikacji PC-03 typ programu 4 według PN-EN ISO/IEC 17067.

Certyfikat zgodności nr ITB-1350/W został wydany po raz pierwszy 27.09.2006 r. Niniejszy certyfikat (zaktualizowany 18.12.2006, 19.02.2008, 16.04.2009, 06.09.2010, 21.12.2011, 16.04.2014, 02.02.2017 i 08.04.2019), może być sformułowany tylko w odniesieniu do wyrobów spełniających wymagania ww. specyfikacji technicznej i jest ważny dopóki specyfikacja techniczna zachowuje swoją ważność oraz nie uległy istotnym zmianom: typ wyrobu, warunki i miejsce produkcji lub system zakładowej kontroli produkcji.

KIEROWNIK  
Zakładu Certyfikacji  
mgr inż. Katarzyna Hatowska



WARSZAWA  
Instytut Techniki Budowlanej  
mgr inż. Robert Genylo

Warszawa, 08.04.2019 r.

Ważność niniejszego certyfikatu może być potwierdzona pod adresem certyfikacja@itb.pl



# EN 1906

The basic standard defining the level of safety met by door fittings is the European standard EN 1906. This standard specifies test methods and requirements to be met by door handles in various forms of execution. Fulfilling parameters indicated by the standard ensures strength greater than that which is required during normal use. The standard also specifies the classification system that allows you to compare products from different manufacturers.

Products tested according to the standard 1906 are marked with a code consisting of 8 symbols. Each symbol represents a different characteristic, which is defined by different classes.

1	2	3	4	5	6	7	8
Category of use	Life span	Door mass	Fire resistance	Safety	Corrosion resistance	Protection against burglary	Type of action

## 1. Category of use

There are four classes indicating the frequency and nature of using handles. Class 1 is the average frequency of use, e.g. in a residential rooms, further ones are for rooms increasingly burdened by the use of door, e.g. office. Class 4 applies to most exploited door, this is the high frequency of use, e.g. in stadiums, public places, where the use is frequent and violent.

## 2. Life span

Two classes determining the frequency of use:

- average frequency of use: 100,000 cycles
- high frequency of use: 200,000 cycles

## 3. Door mass

Not classified

## 4. Fire resistance

Two classes of resistance:

- class 0 means inadmissibility on fire-resistant and smoke-resistant doors
- class 1 means admissibility to use in fire-resistant and smoke-resistant doors

## 5. Safety

Two classes of resistance:

- class 0 normal use
- class 1 application requiring higher security

## 6. Corrosion resistance

Five classes of resistance

- class 0 – unspecified corrosion resistance
- class 1 – low resistance
- class 2 – average resistance
- class 3 – high resistance recommended for using hardware outdoors
- class 4 – very high resistance recommended for using hardware, which is subjected to maritime atmosphere or highly polluted industrial environment.

## 7. Protection against burglary

Five classes

- class 0 – fitting does not protect against burglary
- class 1 – low resistance to burglary
- class 2 – average resistance to burglary
- class 3 – high resistance to burglary
- class 4 – very high resistance to burglary

## 8. Type of action

Three types of action

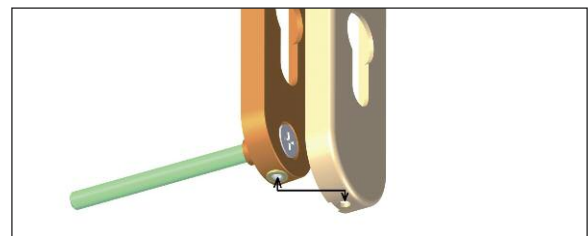
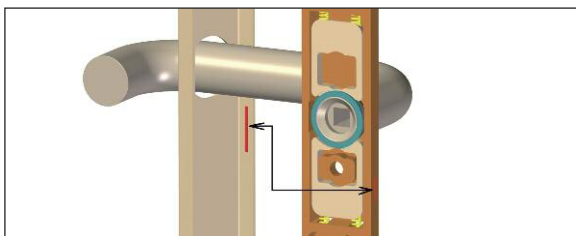
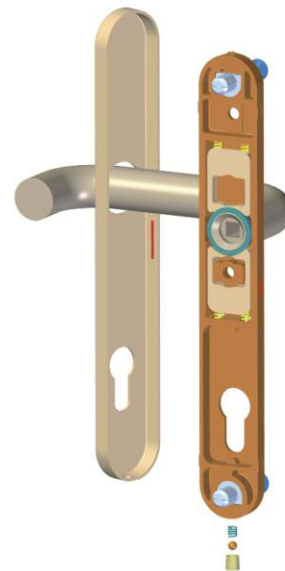
- type A – spring-assisted fitting
- type B – fitting with tension spring
- type U – fitting without spring assistance

A growing number of thefts and burglaries force us to ever new forms for protection of our property. In case of houses or flats the most common way used by burglars is the door. Hence the importance of their proper protection.

# HANDLES ANTI-BURGLARY DOOR

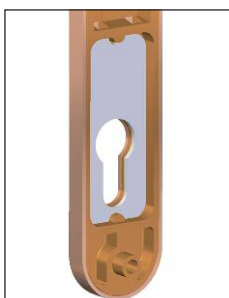
The main element of the handles with snap caps is special insert. Handles are mounted to it. The advantage of ZnAl inserts is the possibility to precisely conduct handle support components. The insert carries the load, allows applying solutions increasing safety. Caps used in these plates are usually in the aluminium form, powder coated or with anodized layer.

Available are also caps of stainless steel and brass. Their task is covering the mounting screws on plates. Mounting caps on the insert is carried out with mechanical latch, using steel ball resting on the spring, and in case of the plate 35A also using fixed projections arranged on sides of the plate. It is a very effective way to protect caps against their removal.

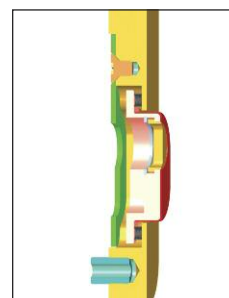
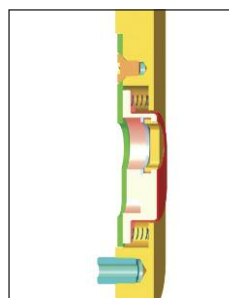


In order to ensure greater security in outer plates we used security of lock cylinder, implemented through hardened steel plate. Another more advanced manner to protect is a special steel insert ZA. This is a cap made of stainless steel, designed so as to prevent a burglar from direct access to the lock cylinder.

This element is mounted in the sign in a way preventing its removal by unauthorised people. At the same time construction of the plate allows some flexibility in the length of the lock cylinder used in the door. It compensates for variable distances from the front of the lock cylinder to the door surface, depending on their thickness and construction.



Protection with hardened steel plate



Burglar protection of lock cylinder



Using these solutions, our products meet the requirements of EN 1906, and consequently, also to DIN 18257, which applies to point 4.1.8 of the European standard. Standard DIN 18257 in its requirements also contains provisions concerning dimensions of the elements affecting safety. Our products comply with these restrictions and obtained, after testing at the institute PIVcert class ES1, which is equivalent to a class 2 EN 1906.

#### Comparison of signs:

Protective properties according to EN 1906 - point 4.1.8	Resistance class, according to EN 1906 - point 4.1.8	Resistance class according to DIN 18257
Low resistance to burglary	Class 1	ES0
Average resistance to burglary	Class 2	ES1
High resistance to burglary	Class 3	ES2
Very high resistance to burglary	Class 4	ES3

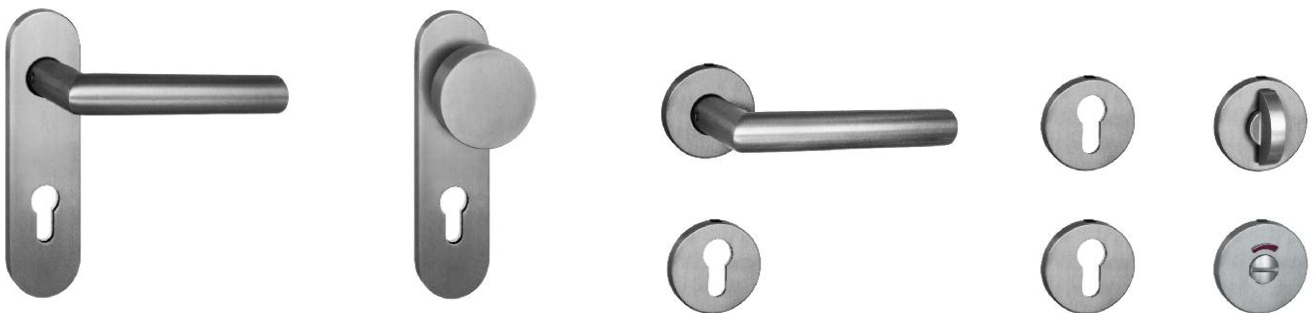
#### Requirements of different classes of resistance:

	Plate strength test	Fasteners strength test	External plate resistance to attack using drilling	Tests of resistance to attack with cutter	Control of insert cover strength
EN 1906 Class 1	7 kN acceptable distortion $\leq 5$ mm	10 kN acceptable distortion $\leq 2$ mm	No requirements	No requirements	No
DIN 18257 ES 0	7 kN acceptable distortion $\leq 5$ mm	10 kN acceptable distortion $\leq 2$ mm	No requirements	No requirements	No
EN 1906 Class 2	10 kN acceptable distortion $\leq 5$ mm	15 kN acceptable distortion $\leq 2$ mm	60 HRC or 30 s./200 N	3 hits in defined positions	10kN
DIN 18257 ES 1	10 kN acceptable distortion $\leq 5$ mm	15 kN acceptable distortion $\leq 2$ mm	60HRC	3 hits in defined positions	10kN
EN 1906 Class 3	15 kN acceptable distortion $\leq 5$ mm	20 kN acceptable distortion $\leq 2$ mm	60 HRC or 3 min./200 N	6 hits in defined positions	15kN
DIN 18257 ES 2	15 kN acceptable distortion $\leq 5$ mm	20 kN acceptable distortion $\leq 2$ mm	60 HRC or 3 min./200 N	6 hits in defined positions	15kN
EN 1906 Class 4	20 kN acceptable distortion $\leq 5$ mm	30 kN acceptable distortion $\leq 2$ mm	60 HRC or 5 min./300 N	12 hits in defined positions	20kN
DIN 18257 ES 3	20 kN acceptable distortion $\leq 5$ mm	30 kN acceptable distortion $\leq 2$ mm	60 HRC or 5 min./300 N	12 hits in defined positions	20kN

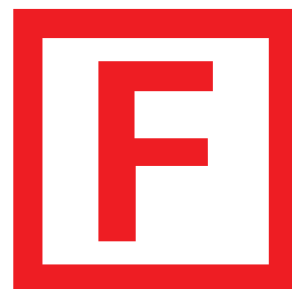
# DOOR HANDLES

## OBJECT

Object handles is a wide range of products covering both door handles and window handles. Handles of this type are used in public spaces, e.g. in schools, banks, or wherever there is high frequency of use combined with high probability of improper use. Object sets can be often found in office buildings, where they are used not only because of their functionality, but also elegant and modern look, thanks to which they are a wonderful complement the interior decoration. These products meet the standard EN 1906.



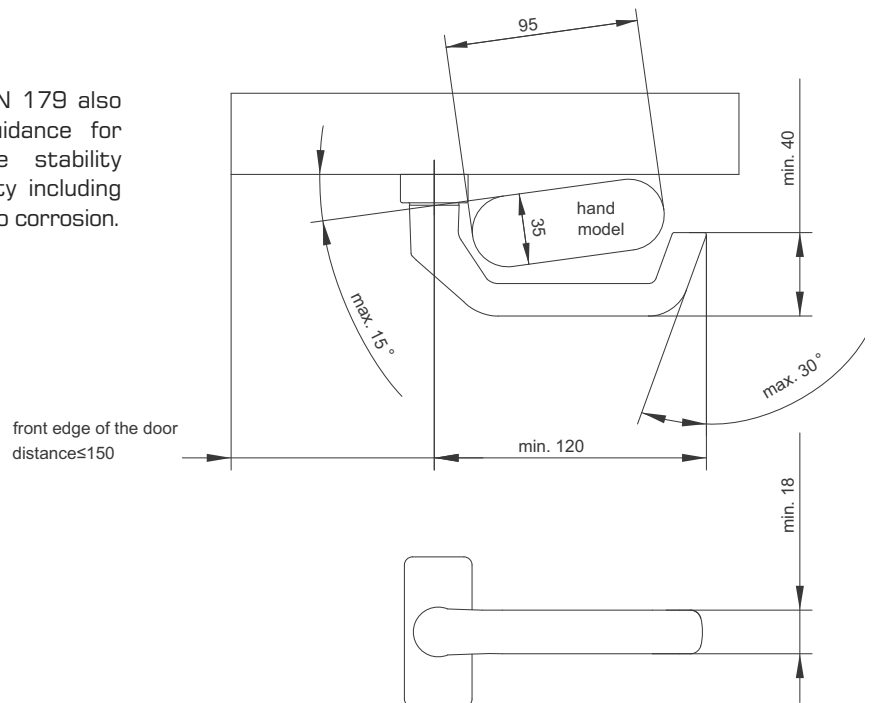
Object handles to guarantee security in crisis situations, such as fire, were provided with a square spindle with the side wall dimension of 9 mm. For handles melting point of which is lower than 1000°C, which are made of e.g., stainless steel, a steel core was introduced inside door handle. These and other restrictions, which we used in our products, are strictly regulated in DIN 18273. This standard also indicates spacing of mounting lugs, handles bearing arrangement, forces that the handles must carry, etc. DIN 18273 also regulates the way of testing strength and durability of this type of handles. Our products have been tested by MPA NRW institute and received a positive assessment. In the catalogue we pointed out these products with „F” symbol.



Development of object fire-resistant handles is a range of object handles with anti-panic function implemented i.a. through the use of appropriate spindles. Their special feature is the two-part construction. Handles equipped in this manner must cooperate with the corresponding lock, with anti-panic function. It is indicated in the standard EN 179, defining the dimensional range and shape of the grips themselves, optimal from the point of view of safety and ergonomics.



Standard EN 179 also provides guidance for testing the stability and durability including resistance to corrosion.



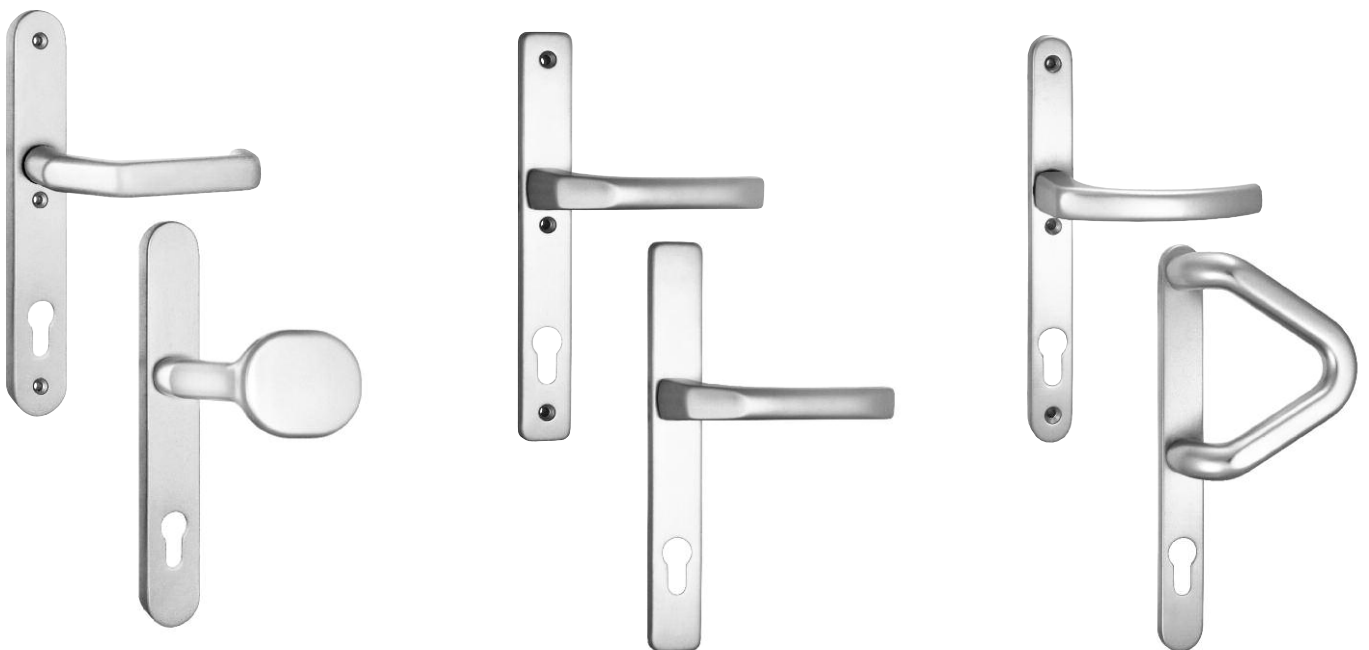
## DIN 18257

Object handles also have burglary protection function, which complies with the standard DIN 18257. It is performed by a special inner design of plates, consisting of several layers of steel inserts integrated by means of lugs secured against the drill operation. We also offer a version with a lock cylinder protection ZA.



## PLATES CASTGRAVITY

Another group of products are gravity cast aluminium plates. It is the most classical solution very simple and durable. We have a whole range of sizes and shapes of these products.



## SPECIAL EXECUTION



Bearing in mind the convenience of Customers, just as in case of window handles, we offer the possibility to manufacture product outside the rangeshown in the catalogue. It may be changes not only in terms of colours, or configuration, e.g.: type of handle, kind of plate, but also related to changes in product design. We are open to new challenges and eager to take up difficult issues.



HANDLES FOR DOOR OF PROFILES

SETS WITH HIDDEN SCREWS

6.1

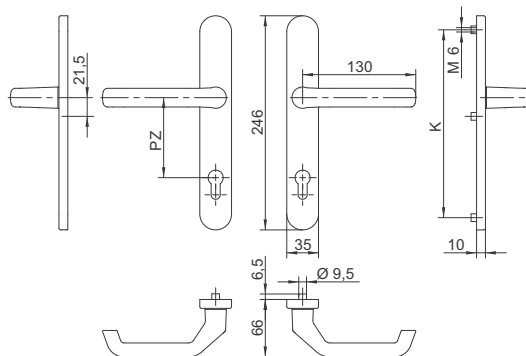
Handles for door of profiles - sets of plates with covered screws

**35A/1200**

Set of door holds, plates of ZnAl alloy, outer with hardened steel insert, internal equipped with a mechanism assisting the movement of handle, covered with masking caps, M6 screws, 8 mm square spindle



PZ	TS	Mounting spacing K	Colour											
			9016	8019	9005	8077	F1	F2	F3	F4	F9	ES	Mos. Pol	
PZ 72	67-72	210	201-00001	201-00002	201-00003	201-07351	201-00004	201-00005	201-00006	201-00007	201-00008	201-00009		
		216	201-00012	201-00013	201-00014	201-07352	201-00015	201-00016	201-00017	201-00018	201-00019	201-00020		
	77-82	210	201-00023	201-00024	201-00025	201-07353	201-00026	201-00027	201-00028	201-00029	201-00030	201-00031		
		216	201-00034	201-00035	201-00036	201-07354	201-00037	201-00038	201-00039	201-00040	201-00041	201-00042		
PZ 92	67-72	210	201-00045	201-00046	201-00047	201-06663	201-00048	201-00049	201-00050	201-00051	201-00052	201-00053	201-00054	
		216	201-00056	201-00057	201-00058	201-07355	201-00059	201-00060	201-00061	201-00062	201-00063	201-00064	201-00065	
	77-82	210	201-00067	201-00068	201-00069	201-07356	201-00070	201-00071	201-00072	201-00073	201-00074	201-00075	201-00076	
		216	201-00078	201-00079	201-00080	201-07357	201-00081	201-00082	201-00083	201-00084	201-00085	201-00086	201-00087	

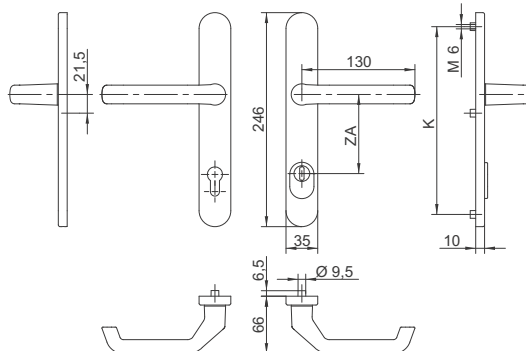
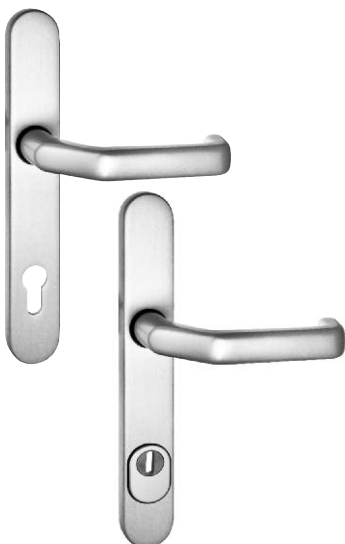


**35A/1200 ZA**

Set of door holds, plates of ZnAl alloy, outer with burglary protection of the lock cylinder, internal equipped with a mechanism assisting the movement of handle, covered with masking caps, M6 screws, 8 mm square spindle



ZA	TS	Mounting spacing K	Colour											
			9016	8019	9005	8077	F1	F2	F3	F4	F9	ES		
ZA 92	67-72	210	201-00125	201-00126	201-00127	201-07358	201-00128	201-00129	201-00130	201-00131	201-00132	201-00133		
		216	201-00134	201-00135	201-00136	201-07359	201-00137	201-00138	201-00139	201-00140	201-00141	201-00142		
	77-82	210	201-00143	201-00144	201-00145	201-07360	201-00146	201-00147	201-00148	201-00149	201-00150	201-00151		
		216	201-00152	201-00153	201-00154	201-07361	201-00155	201-00156	201-00157	201-00158	201-00159	201-00160		



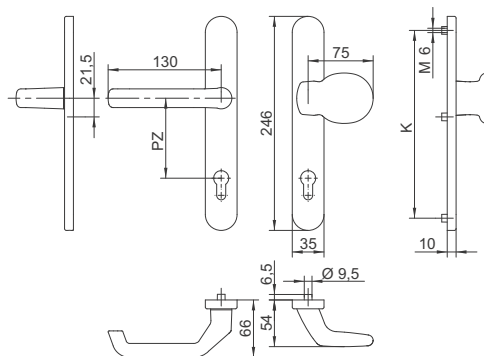
Handles for door of profiles - sets of plates with covered screws

**35A/1200 G1**

The set consists of door grip and fixed knob G1 type, of ZnAl alloy plates, outer with hardened steel insert, internal equipped with a mechanism assisting the movement of handle, covered with masking caps, M6 screws, 8 mm square spindle



PZ	TS	Mounting spacing K	Colour											
			9016	8019	9005	8077	F1	F2	F3	F4	F9	ES	Mos. Pol	
PZ 72	67-72	210	201-00161	201-00162	201-00163	201-07362	201-00164	201-00165	201-00166	201-00167	201-00168	201-00169		
		216	201-00172	201-00173	201-00174	201-07363	201-00175	201-00176	201-00177	201-00178	201-00179	201-00180		
	77-82	210	201-00183	201-00184	201-00185	201-07364	201-00186	201-00187	201-00188	201-00189	201-00190	201-00191		
		216	201-00194	201-00195	201-00196	201-07365	201-00197	201-00198	201-00199	201-00200	201-00201	201-00202		
PZ 92	67-72	210	201-00205	201-00206	201-00207	201-06662	201-00208	201-00209	201-00210	201-00211	201-00212	201-00213	201-00214	
		216	201-00216	201-00217	201-00218	201-07366	201-00219	201-00220	201-00221	201-00222	201-00223	201-00224	201-00225	
	77-82	210	201-00227	201-00228	201-00229	201-07367	201-00230	201-00231	201-00232	201-00233	201-00234	201-00235	201-00236	
		216	201-00238	201-00239	201-00240	201-07368	201-00241	201-00242	201-00243	201-00244	201-00245	201-00246	201-00247	

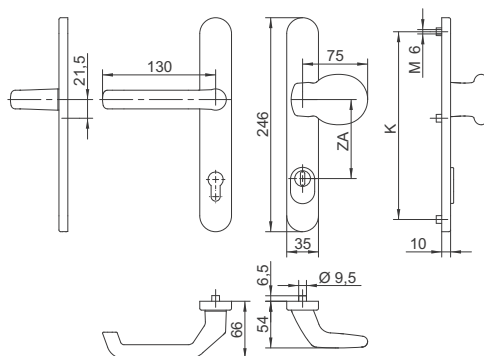


**35A/1200 G1 ZA**

The set consists of door grip and fixed knob G1 type, of ZnAl alloy plates, outer with burglary protection of the lock cylinder, internal equipped with a mechanism assisting the movement of handle, covered with masking caps, M6 screws, 8 mm square spindle



ZA	TS	Mounting spacing K	Colour											
			9016	8019	9005	8077	F1	F2	F3	F4	F9	ES		
ZA 92	67-72	210	201-00285	201-00286	201-00287	201-07369	201-00288	201-00289	201-00290	201-00291	201-00292	201-00293		
		216	201-00294	201-00295	201-00296	201-07370	201-00297	201-00298	201-00299	201-00300	201-00301	201-00302		
	77-82	210	201-00303	201-00304	201-00305	201-07371	201-00306	201-00307	201-00308	201-00309	201-00310	201-00311		
		216	201-00312	201-00313	201-00314	201-07372	201-00315	201-00316	201-00317	201-00318	201-00319	201-00320		



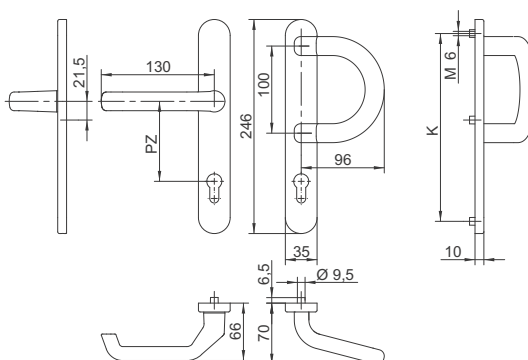
Handles for door of profiles - sets of plates with covered screws

**35A/1200 P**

The set consists of door grip and type P handrail, of ZnAl alloy plates, outer with hardened steel insert, internal equipped with a mechanism assisting the movement of handle, covered with masking caps, M6 screws, 8 mm square spindle



PZ	TS	Mounting spacing K	Colour											
			9016	8019	9005	8077	F1	F2	F3	F4	F9	ES	Mos. Pol	
PZ 72	67-72	210	201-00321	201-00322	201-00323	201-07373	201-00324	201-00325	201-00326	201-00327	201-00328	201-00329		
		216	201-00332	201-00333	201-00334	201-07374	201-00335	201-00336	201-00337	201-00338	201-00339	201-00340		
	77-82	210	201-00343	201-00344	201-00345	201-07375	201-00346	201-00347	201-00348	201-00349	201-00350	201-00351		
		216	201-00354	201-00355	201-00356	201-07376	201-00357	201-00358	201-00359	201-00360	201-00361	201-00362		
PZ 92	67-72	210	201-00365	201-00366	201-00367	201-07377	201-00368	201-00369	201-00370	201-00371	201-00372	201-00373	201-00374	
		216	201-00376	201-00377	201-00378	201-07378	201-00379	201-00380	201-00381	201-00382	201-00383	201-00384	201-00385	
	77-82	210	201-00387	201-00388	201-00389	201-07379	201-00390	201-00391	201-00392	201-00393	201-00394	201-00395	201-00396	
		216	201-00398	201-00399	201-00400	201-07380	201-00401	201-00402	201-00403	201-00404	201-00405	201-00406	201-00407	

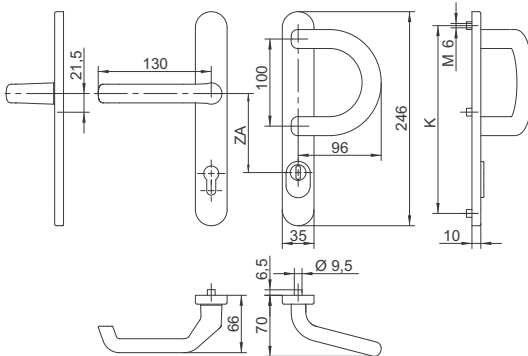


**35A/1200 P ZA**

The set consists of door grip and type P handrail, of ZnAl alloy plates, outer with burglary protection of the lock cylinder, internal equipped with a mechanism assisting the movement of handle, covered with masking caps, M6 screws, 8 mm square spindle



ZA	TS	Mounting spacing K	Colour											
			9016	8019	9005	8077	F1	F2	F3	F4	F9	ES		
ZA 92	67-72	210	201-00445	201-00446	201-00447	201-07381	201-00448	201-00449	201-00450	201-00451	201-00452	201-00453		
		216	201-00454	201-00455	201-00456	201-07382	201-00457	201-00458	201-00459	201-00460	201-00461	201-00462		
	77-82	210	201-00463	201-00464	201-00465	201-07383	201-00466	201-00467	201-00468	201-00469	201-00470	201-00471		
		216	201-00472	201-00473	201-00474	201-07384	201-00475	201-00476	201-00477	201-00478	201-00479	201-00480		



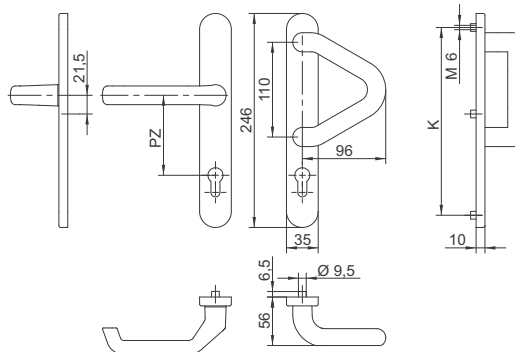
Handles for door of profiles - sets of plates with covered screws

**35A/1200 V**

The set consists of door grip and type V handrail, of ZnAl alloy plates, outer with hardened steel insert, internal equipped with a mechanism assisting the movement of handle, covered with masking caps, M6 screws, 8 mm square spindle



PZ	TS	Mounting spacing K	Colour										
			9016	8019	9005	8077	F1	F2	F3	F4	F9		
PZ 72	67-72	210	201-04603	201-04604	201-04605	201-07385	201-04606	201-04607	201-04608	201-04609	201-04610		
		216	201-04611	201-04612	201-04613	201-07386	201-04614	201-04615	201-04616	201-04617	201-04618		
	77-82	210	201-04619	201-04620	201-04621	201-07387	201-04622	201-04623	201-04624	201-04625	201-04626		
		216	201-04627	201-04628	201-04629	201-07388	201-04630	201-04631	201-04632	201-04633	201-04634		
PZ 92	67-72	210	201-04635	201-04636	201-04637	201-07389	201-04638	201-04639	201-04640	201-04641	201-04642		
		216	201-04643	201-04644	201-04645	201-07390	201-04646	201-04647	201-04648	201-04649	201-04650		
	77-82	210	201-04651	201-04652	201-04653	201-07391	201-04654	201-04655	201-04656	201-04657	201-04658		
		216	201-04659	201-04660	201-04661	201-07392	201-04662	201-04663	201-04664	201-04665	201-04666		

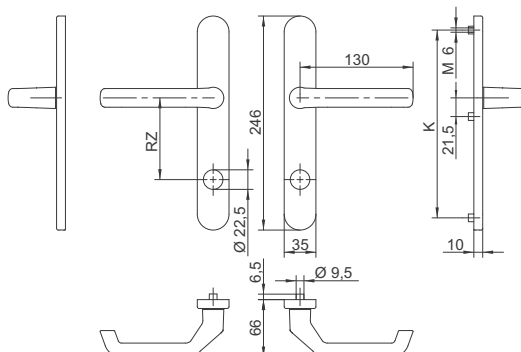
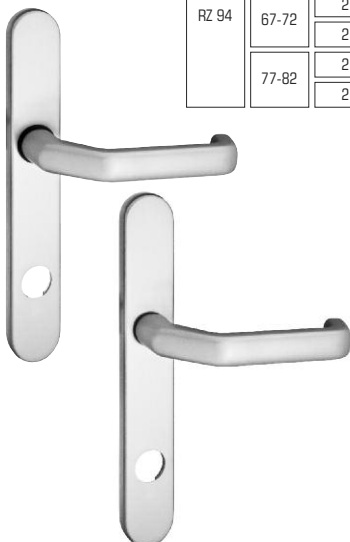


**35A/1200 RZ**

Set of door holds, plates of ZnAl alloy, outer with hardened steel insert, internal equipped with a mechanism assisting the movement of handle, covered with masking caps, M6 screws, 8 mm square spindle



RZ	TS	Mounting spacing K	Colour										
			9016	8019	9005	8077	F1	F2	F3	F4	F9	ES	
RZ 78	67-72	210	201-02615	201-02616	201-02617	201-07393	201-02618	201-02619	201-02620	201-02621	201-02622	201-02623	
		216	201-02624	201-02625	201-02626	201-07394	201-02627	201-02628	201-02629	201-02630	201-02631	201-02632	
	77-82	210	201-02633	201-02634	201-02635	201-07395	201-02636	201-02637	201-02638	201-02639	201-02640	201-02641	
		216	201-02642	201-02643	201-02644	201-07396	201-02645	201-02646	201-02647	201-02648	201-02649	201-02650	
RZ 94	67-72	210	201-02651	201-02652	201-02653	201-07397	201-02654	201-02655	201-02656	201-02657	201-02658	201-02659	
		216	201-02660	201-02661	201-02662	201-07398	201-02663	201-02664	201-02665	201-02666	201-02667	201-02668	
	77-82	210	201-02669	201-02670	201-02671	201-07399	201-02672	201-02673	201-02674	201-02675	201-02676	201-02677	
		216	201-02678	201-02679	201-02680	201-07400	201-02681	201-02682	201-02683	201-02684	201-02685	201-02686	



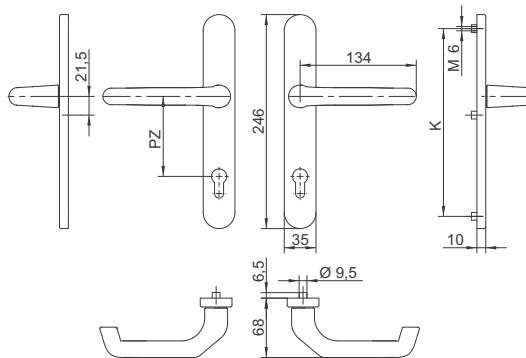
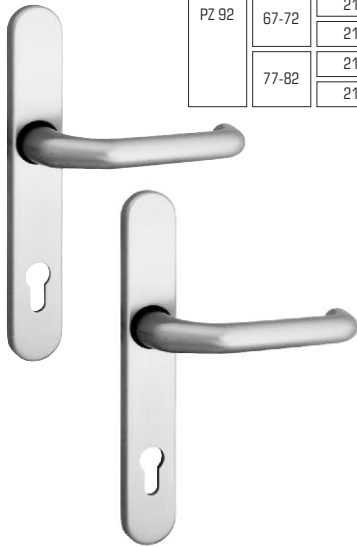
Handles for door of profiles - sets of plates with covered screws

**35A/1300**

Set of door holds, plates of ZnAl alloy, outer with hardened steel insert, internal equipped with a mechanism assisting the movement of handle, covered with masking caps, M6 screws, 8 mm square spindle



PZ	TS	Mounting spacing K	Colour											
			9016	8019	9005	8077	F1	F2	F3	F4	F9	ES		
PZ 72	67-72	210	201-01765	201-01766	201-01767	201-07401	201-01768	201-01769	201-01770	201-01771	201-01772	201-01773		
		216	201-01774	201-01775	201-01776	201-07402	201-01777	201-01778	201-01779	201-01780	201-01781	201-01782		
	77-82	210	201-01783	201-01784	201-01785	201-07403	201-01786	201-01787	201-01788	201-01789	201-01790	201-01791		
		216	201-01792	201-01793	201-01794	201-07404	201-01795	201-01796	201-01797	201-01798	201-01799	201-01800		
PZ 92	67-72	210	201-01801	201-01802	201-01803	201-07405	201-01804	201-01805	201-01806	201-01807	201-01808	201-01809		
		216	201-01810	201-01811	201-01812	201-07406	201-01813	201-01814	201-01815	201-01816	201-01817	201-01818		
	77-82	210	201-01819	201-01820	201-01821	201-07407	201-01822	201-01823	201-01824	201-01825	201-01826	201-01827		
		216	201-01828	201-01829	201-01830	201-07408	201-01831	201-01832	201-01833	201-01834	201-01835	201-01836		

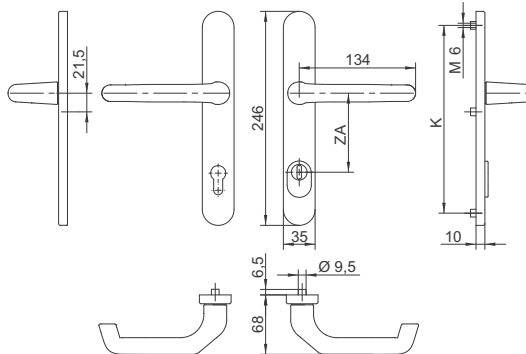


**35A/1300 ZA**

Set of door holds, plates of ZnAl alloy, outer with burglary protection of the lock cylinder, internal equipped with a mechanism assisting the movement of handle, covered with masking caps, M6 screws, 8 mm square spindle



ZA	TS	Mounting spacing K	Colour											
			9016	8019	9005	8077	F1	F2	F3	F4	F9	ES		
ZA 92	67-72	210	201-01873	201-01874	201-01875	201-07409	201-01876	201-01877	201-01878	201-01879	201-01880	201-01881		
		216	201-01882	201-01883	201-01884	201-07410	201-01885	201-01886	201-01887	201-01888	201-01889	201-01890		
	77-82	210	201-01891	201-01892	201-01893	201-07411	201-01894	201-01895	201-01896	201-01897	201-01898	201-01899		
		216	201-01900	201-01901	201-01902	201-07412	201-01903	201-01904	201-01905	201-01906	201-01907	201-01908		



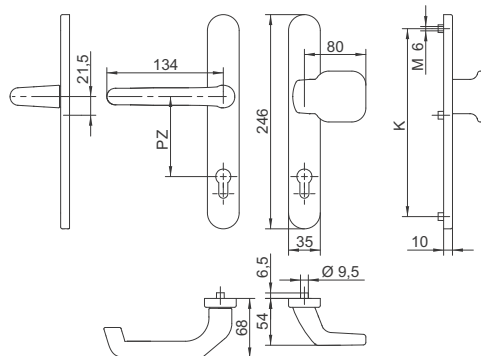
Handles for door of profiles - sets of plates with covered screws

**35A/1300 G2**

The set consists of door grip and fixed knob G2 type, of ZnAl alloy plates, outer with hardened steel insert, internal equipped with a mechanism assisting the movement of handle, covered with masking caps, M6 screws, 8 mm square spindle



PZ	TS	Mounting spacing K	Colour										
			9016	8019	9005	8077	F1	F2	F3	F4	F9		
PZ 72	67-72	210	201-02687	201-02688	201-02689	201-07413	201-02690	201-02691	201-02692	201-02693	201-02694		
		216	201-02695	201-02696	201-02697	201-07414	201-02698	201-02699	201-02700	201-02701	201-02702		
	77-82	210	201-02703	201-02704	201-02705	201-07415	201-02706	201-02707	201-02708	201-02709	201-02710		
		216	201-02711	201-02712	201-02713	201-07416	201-02714	201-02715	201-02716	201-02717	201-02718		
PZ 92	67-72	210	201-02719	201-02720	201-02721	201-07417	201-02722	201-02723	201-02724	201-02725	201-02726		
		216	201-02727	201-02728	201-02729	201-07418	201-02730	201-02731	201-02732	201-02733	201-02734		
	77-82	210	201-02735	201-02736	201-02737	201-07419	201-02738	201-02739	201-02740	201-02741	201-02742		
		216	201-02743	201-02744	201-02745	201-07420	201-02746	201-02747	201-02748	201-02749	201-02750		

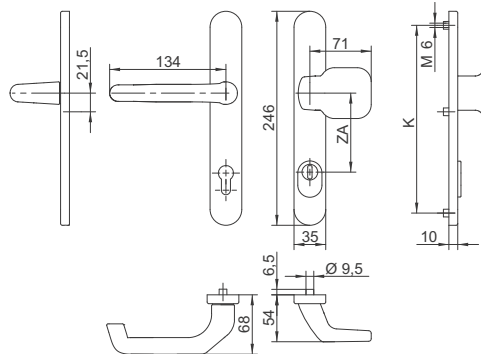


**35A/1300 G2 ZA**

The set consists of door grip and fixed knob G2 type, of ZnAl alloy plates, outer with burglary protection of the lock cylinder, internal equipped with a mechanism assisting the movement of handle, covered with masking caps, M6 screws, 8 mm square spindle



ZA	TS	Mounting spacing K	Colour										
			9016	8019	9005	8077	F1	F2	F3	F4	F9		
ZA 92	67-72	210	201-02783	201-02784	201-02785	201-07421	201-02786	201-02787	201-02788	201-02789	201-02790		
		216	201-02791	201-02792	201-02793	201-07422	201-02794	201-02795	201-02796	201-02797	201-02798		
	77-82	210	201-02799	201-02800	201-02801	201-07423	201-02802	201-02803	201-02804	201-02805	201-02806		
		216	201-02807	201-02808	201-02809	201-07424	201-02810	201-02811	201-02812	201-02813	201-02814		





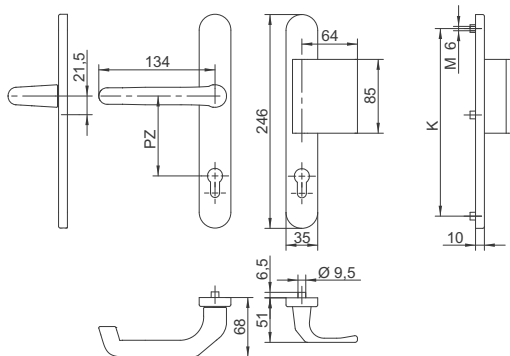
Handles for door of profiles - sets of plates with covered screws

**35A/1300 L1**

The set consists of door grip and type L1 handrail, of ZnAl alloy plates, outer with hardened steel insert, internal equipped with a mechanism assisting the movement of handle, covered with masking caps, M6 screws, 8 mm square spindle



PZ	TS	Mounting spacing K	Colour										
			9016	8019	9005	8077	F1	F2	F3	F4	F9		
PZ 72	67-72	210	201-02815	201-02816	201-02817	201-07425	201-02818	201-02819	201-02820	201-02821	201-02822		
		216	201-02823	201-02824	201-02825	201-07426	201-02826	201-02827	201-02828	201-02829	201-02830		
	77-82	210	201-02831	201-02832	201-02833	201-07427	201-02834	201-02835	201-02836	201-02837	201-02838		
		216	201-02839	201-02840	201-02841	201-07428	201-02842	201-02843	201-02844	201-02845	201-02846		
PZ 92	67-72	210	201-02847	201-02848	201-02849	201-07429	201-02850	201-02851	201-02852	201-02853	201-02854		
		216	201-02855	201-02856	201-02857	201-07430	201-02858	201-02859	201-02860	201-02861	201-02862		
	77-82	210	201-02863	201-02864	201-02865	201-07431	201-02866	201-02867	201-02868	201-02869	201-02870		
		216	201-02871	201-02872	201-02873	201-07432	201-02874	201-02875	201-02876	201-02877	201-02878		

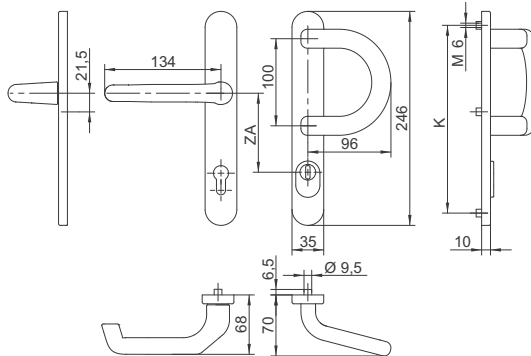


**35A/1300 P ZA**

The set consists of door grip and type P handrail, of ZnAl alloy plates, outer with burglary protection of the lock cylinder, internal equipped with a mechanism assisting the movement of handle, covered with masking caps, M6 screws, 8 mm square spindle



ZA	TS	Mounting spacing K	Colour										
			9016	8019	9005	8077	F1	F2	F3	F4	F9	ES	
ZA 92	67-72	210	201-02161	201-02162	201-02163	201-07433	201-02164	201-02165	201-02166	201-02167	201-02168	201-02169	
		216	201-02170	201-02171	201-02172	201-07434	201-02173	201-02174	201-02175	201-02176	201-02177	201-02178	
	77-82	210	201-02179	201-02180	201-02181	201-07435	201-02182	201-02183	201-02184	201-02185	201-02186	201-02187	
		216	201-02188	201-02189	201-02190	201-07436	201-02191	201-02192	201-02193	201-02194	201-02195	201-02196	



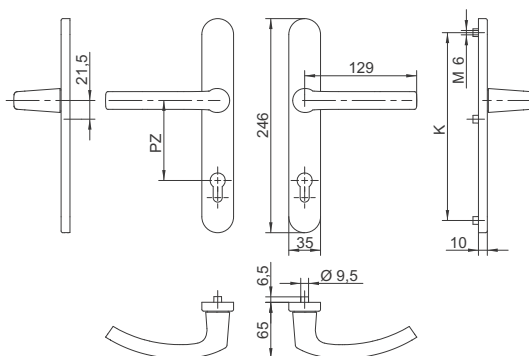
Handles for door of profiles - sets of plates with covered screws

**35A/2000**

Set of aluminium door holds, plates of ZnAl alloy, outer with hardened steel insert, internal equipped with a mechanism assisting the movement of handle, covered with masking caps, M6 screws, 8 mm square spindle



PZ	TS	Mounting spacing K	Colour											
			9016	8019	9005	8077	F1	F2	F3	F4	F9	ES		
PZ 72	67-72	210	201-01333	201-01334	201-01335	201-07437	201-01336	201-01337	201-01338	201-01339	201-01340	201-01341		
		216	201-01342	201-01343	201-01344	201-07438	201-01345	201-01346	201-01347	201-01348	201-01349	201-01350		
	77-82	210	201-01351	201-01352	201-01353	201-07439	201-01354	201-01355	201-01356	201-01357	201-01358	201-01359		
		216	201-01360	201-01361	201-01362	201-07440	201-01363	201-01364	201-01365	201-01366	201-01367	201-01368		
PZ 92	67-72	210	201-01369	201-01370	201-01371	201-07441	201-01372	201-01373	201-01374	201-01375	201-01376	201-01377		
		216	201-01378	201-01379	201-01380	201-07442	201-01381	201-01382	201-01383	201-01384	201-01385	201-01386		
	77-82	210	201-01387	201-01388	201-01389	201-07443	201-01390	201-01391	201-01392	201-01393	201-01394	201-01395		
		216	201-01396	201-01397	201-01398	201-07444	201-01399	201-01400	201-01401	201-01402	201-01403	201-01404		

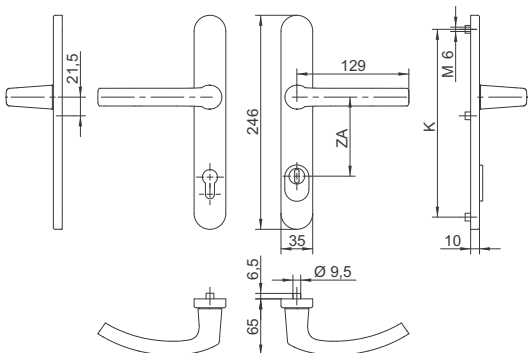


**35A/2000 ZA**

Set of door holds, plates of ZnAl alloy, outer with burglary protection of the lock cylinder, internal equipped with a mechanism assisting the movement of handle, covered with masking caps, M6 screws, 8 mm square spindle



ZA	TS	Mounting spacing K	Colour											
			9016	8019	9005	8077	F1	F2	F3	F4	F9	ES		
ZA 92	67-72	210	201-01441	201-01442	201-01443	201-07445	201-01444	201-01445	201-01446	201-01447	201-01448	201-01449		
		216	201-01450	201-01451	201-01452	201-07446	201-01453	201-01454	201-01455	201-01456	201-01457	201-01458		
	77-82	210	201-01459	201-01460	201-01461	201-07447	201-01462	201-01463	201-01464	201-01465	201-01466	201-01467		
		216	201-01468	201-01469	201-01470	201-07448	201-01471	201-01472	201-01473	201-01474	201-01475	201-01476		



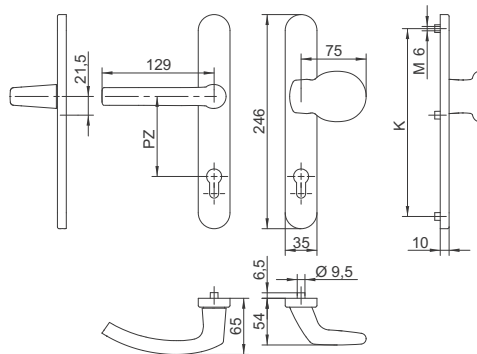
Handles for door of profiles - sets of plates with covered screws

**35A/2000 G1**

The set consists of door grip and fixed knob G1 type, of ZnAl alloy plates, outer with hardened steel insert, internal equipped with a mechanism assisting the movement of handle, covered with masking caps, M6 screws, 8 mm square spindle



PZ	TS	Mounting spacing K	Colour											
			9016	8019	9005	8077	F1	F2	F3	F4	F9	ES		
PZ 72	67-72	210	201-01477	201-01478	201-01479	201-07449	201-01480	201-01481	201-01482	201-01483	201-01484	201-01485		
		216	201-01486	201-01487	201-01488	201-07450	201-01489	201-01490	201-01491	201-01492	201-01493	201-01494		
	77-82	210	201-01495	201-01496	201-01497	201-07451	201-01498	201-01499	201-01500	201-01501	201-01502	201-01503		
		216	201-01504	201-01505	201-01506	201-07452	201-01507	201-01508	201-01509	201-01510	201-01511	201-01512		
PZ 92	67-72	210	201-01513	201-01514	201-01515	201-07453	201-01516	201-01517	201-01518	201-01519	201-01520	201-01521		
		216	201-01522	201-01523	201-01524	201-07454	201-01525	201-01526	201-01527	201-01528	201-01529	201-01530		
	77-82	210	201-01531	201-01532	201-01533	201-06067	201-01534	201-01535	201-01536	201-01537	201-01538	201-01539		
		216	201-01540	201-01541	201-01542	201-07455	201-01543	201-01544	201-01545	201-01546	201-01547	201-01548		

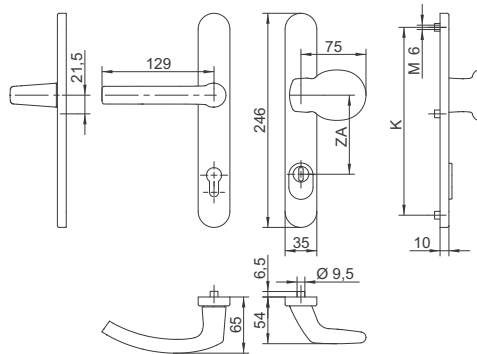


**35A/2000 G1 ZA**

The set consists of door grip and fixed knob G1 type, of ZnAl alloy plates, outer with burglary protection of the lock cylinder, internal equipped with a mechanism assisting the movement of handle, covered with masking caps, M6 screws, 8 mm square spindle



ZA	TS	Mounting spacing K	Colour											
			9016	8019	9005	8077	F1	F2	F3	F4	F9	ES		
ZA 92	67-72	210	201-01585	201-01586	201-01587	201-07456	201-01588	201-01589	201-01590	201-01591	201-01592	201-01593		
		216	201-01594	201-01595	201-01596	201-07457	201-01597	201-01598	201-01599	201-01600	201-01601	201-01602		
	77-82	210	201-01603	201-01604	201-01605	201-07458	201-01606	201-01607	201-01608	201-01609	201-01610	201-01611		
		216	201-01612	201-01613	201-01614	201-07459	201-01615	201-01616	201-01617	201-01618	201-01619	201-01620		



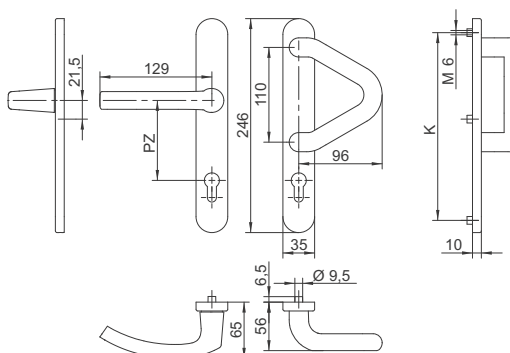
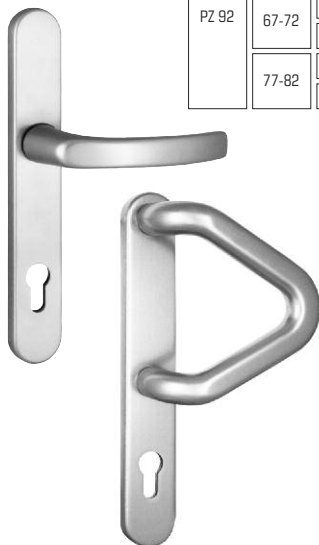
Handles for door of profiles - sets of plates with covered screws

**35A/2000 V**

The set consists of door grip and type V handrail, of ZnAl alloy plates, outer with hardened steel insert, internal equipped with a mechanism assisting the movement of handle, covered with masking caps, M6 screws, 8 mm square spindle



PZ	TS	Mounting spacing K	Colour										
			9016	8019	9005	8077	F1	F2	F3	F4	F9		
PZ 72	67-72	210	201-03135	201-03136	201-03137	201-07460	201-03138	201-03139	201-03140	201-03141	201-03142		
		216	201-03143	201-03144	201-03145	201-07461	201-03146	201-03147	201-03148	201-03149	201-03150		
	77-82	210	201-03151	201-03152	201-03153	201-07462	201-03154	201-03155	201-03156	201-03157	201-03158		
		216	201-03159	201-03160	201-03161	201-07463	201-03162	201-03163	201-03164	201-03165	201-03166		
PZ 92	67-72	210	201-03167	201-03168	201-03169	201-07464	201-03170	201-03171	201-03172	201-03173	201-03174		
		216	201-03175	201-03176	201-03177	201-07465	201-03178	201-03179	201-03180	201-03181	201-03182		
	77-82	210	201-03183	201-03184	201-03185	201-07466	201-03186	201-03187	201-03188	201-03189	201-03190		
		216	201-03191	201-03192	201-03193	201-07467	201-03194	201-03195	201-03196	201-03197	201-03198		

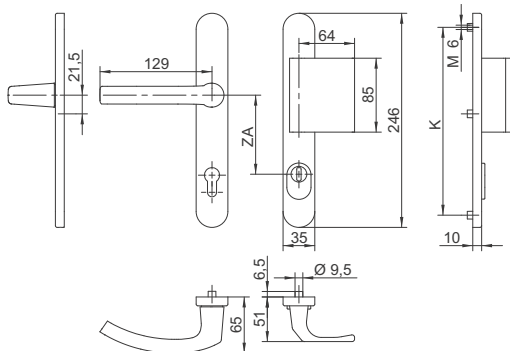


**35A/2000 L1 ZA**

The set consists of door grip and type L handrail, of ZnAl alloy plates, outer with burglary protection of the lock cylinder, internal equipped with a mechanism assisting the movement of handle, covered with masking caps, M6 screws, 8 mm square spindle



ZA	TS	Mounting spacing K	Colour										
			9016	8019	9005	8077	F1	F2	F3	F4	F9		
ZA 92	67-72	210	201-05472	201-05473	201-05474	201-07468	201-05475	201-05476	201-05477	201-05478	201-05479		
		216	201-05480	201-05481	201-05482	201-07469	201-05483	201-05484	201-05485	201-05486	201-05487		
	77-82	210	201-05488	201-05489	201-05490	201-07470	201-05491	201-05492	201-05493	201-05494	201-05495		
		216	201-05496	201-05497	201-05498	201-07471	201-05499	201-05500	201-05501	201-05502	201-05503		



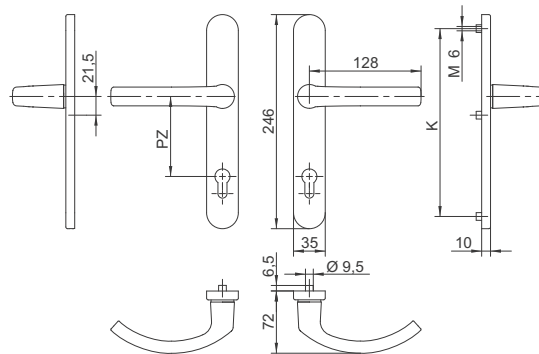
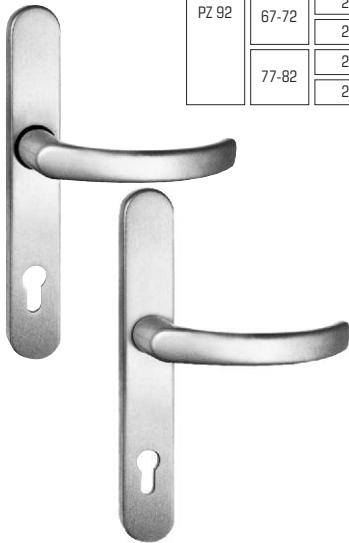
Handles for door of profiles - sets of plates with covered screws

**35A/2200**

Set of door holds with plates of ZnAl alloy, outer with hardened steel insert, internal equipped with a mechanism assisting the movement of handle, covered with masking caps, M6 screws, 8 mm square spindle



PZ	TS	Mounting spacing K	Colour										
			9016	8019	9005	8077	F1	F2	F3	F4	F9		
PZ 72	67-72	210	201-00949	201-00950	201-00951	201-07472	201-00952	201-00953	201-00954	201-00955	201-00956		
		216	201-00957	201-00958	201-00959	201-07473	201-00960	201-00961	201-00962	201-00963	201-00964		
	77-82	210	201-00965	201-00966	201-00967	201-07474	201-00968	201-00969	201-00970	201-00971	201-00972		
		216	201-00973	201-00974	201-00975	201-07475	201-00976	201-00977	201-00978	201-00979	201-00980		
PZ 92	67-72	210	201-00981	201-00982	201-00983	201-07476	201-00984	201-00985	201-00986	201-00987	201-00988		
		216	201-00989	201-00990	201-00991	201-07477	201-00992	201-00993	201-00994	201-00995	201-00996		
	77-82	210	201-00997	201-00998	201-00999	201-07478	201-01000	201-01001	201-01002	201-01003	201-01004		
		216	201-01005	201-01006	201-01007	201-07479	201-01008	201-01009	201-01010	201-01011	201-01012		

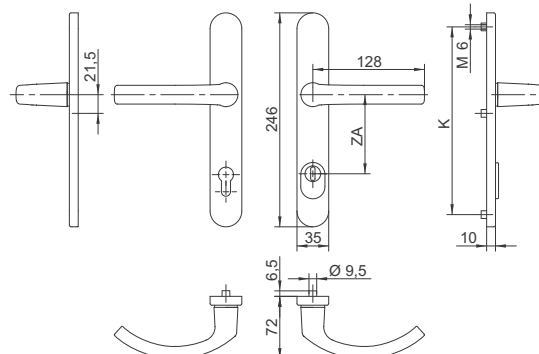


**35A/2200 ZA**

Set of door holds with plates of ZnAl alloy, outer with burglary protection of the lock cylinder, internal equipped with a mechanism assisting the movement of handle, covered with masking caps, M6 screws, 8 mm square spindle



ZA	TS	Mounting spacing K	Colour										
			9016	8019	9005	8077	F1	F2	F3	F4	F9		
ZA 92	67-72	210	201-01045	201-01046	201-01047	201-07480	201-01048	201-01049	201-01050	201-01051	201-01052		
		216	201-01053	201-01054	201-01055	201-07481	201-01056	201-01057	201-01058	201-01059	201-01060		
	77-82	210	201-01061	201-01062	201-01063	201-07482	201-01064	201-01065	201-01066	201-01067	201-01068		
		216	201-01069	201-01070	201-01071	201-07483	201-01072	201-01073	201-01074	201-01075	201-01076		



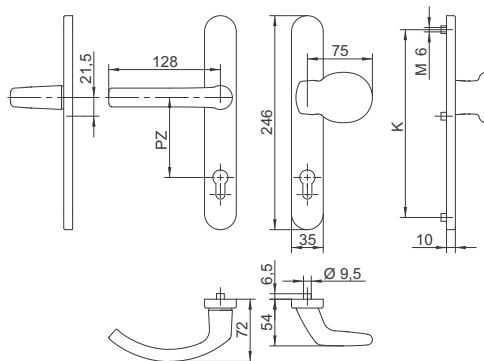
Handles for door of profiles - sets of plates with covered screws

**35A/2200 G1**

The set consists of door grip and fixed knob G1 type, of ZnAl alloy plates, outer with hardened steel insert, internal equipped with a mechanism assisting the movement of handle, covered with masking caps, M6 screws, 8 mm square spindle



PZ	TS	Mounting spacing K	Colour										
			9016	8019	9005	8077	F1	F2	F3	F4	F9		
PZ 72	67-72	210	201-01077	201-01078	201-01079	201-07484	201-01080	201-01081	201-01082	201-01083	201-01084		
		216	201-01085	201-01086	201-01087	201-07485	201-01088	201-01089	201-01090	201-01091	201-01092		
	77-82	210	201-01093	201-01094	201-01095	201-07486	201-01096	201-01097	201-01098	201-01099	201-01100		
		216	201-01101	201-01102	201-01103	201-07487	201-01104	201-01105	201-01106	201-01107	201-01108		
PZ 92	67-72	210	201-01109	201-01110	201-01111	201-07488	201-01112	201-01113	201-01114	201-01115	201-01116		
		216	201-01117	201-01118	201-01119	201-07489	201-01120	201-01121	201-01122	201-01123	201-01124		
	77-82	210	201-01125	201-01126	201-01127	201-07490	201-01128	201-01129	201-01130	201-01131	201-01132		
		216	201-01133	201-01134	201-01135	201-07491	201-01136	201-01137	201-01138	201-01139	201-01140		

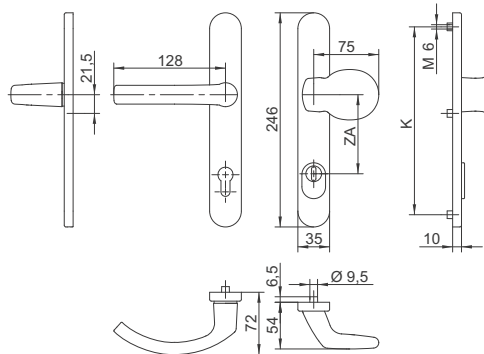
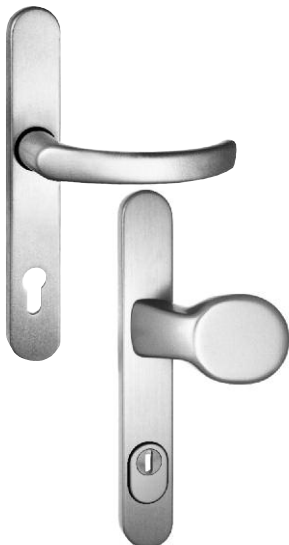


**35A/2200 G1 ZA**

The set consists of door grip and fixed knob G1 type, of ZnAl alloy plates, outer with burglary protection of the lock cylinder, internal equipped with a mechanism assisting the movement of handle, covered with masking caps, M6 screws, 8 mm square spindle



ZA	TS	Mounting spacing K	Colour										
			9016	8019	9005	8077	F1	F2	F3	F4	F9		
ZA 92	67-72	210	201-01173	201-01174	201-01175	201-07492	201-01176	201-01177	201-01178	201-01179	201-01180		
		216	201-01181	201-01182	201-01183	201-07493	201-01184	201-01185	201-01186	201-01187	201-01188		
	77-82	210	201-01189	201-01190	201-01191	201-07494	201-01192	201-01193	201-01194	201-01195	201-01196		
		216	201-01197	201-01198	201-01199	201-07495	201-01200	201-01201	201-01202	201-01203	201-01204		



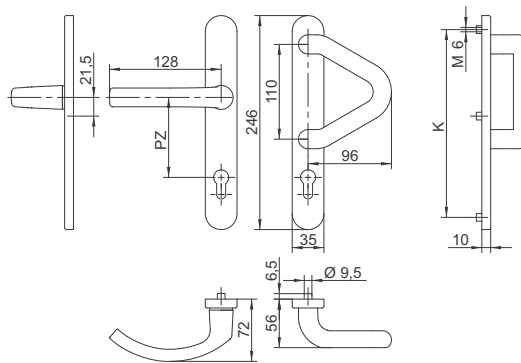
Handles for door of profiles - sets of plates with covered screws

**35A/2200 V**

The set consists of door grip and type V handrail, of ZnAl alloy plates, outer with hardened steel insert, internal equipped with a mechanism assisting the movement of handle, covered with masking caps, M6 screws, 8 mm square spindle



PZ	TS	Mounting spacing K	Colour										
			9016	8019	9005	8077	F1	F2	F3	F4	F9		
PZ 72	67-72	210	201-01205	201-01206	201-01207	201-07496	201-01208	201-01209	201-01210	201-01211	201-01212		
		216	201-01213	201-01214	201-01215	201-07497	201-01216	201-01217	201-01218	201-01219	201-01220		
	77-82	210	201-01221	201-01222	201-01223	201-07498	201-01224	201-01225	201-01226	201-01227	201-01228		
		216	201-01229	201-01230	201-01231	201-07499	201-01232	201-01233	201-01234	201-01235	201-01236		
PZ 92	67-72	210	201-01237	201-01238	201-01239	201-07500	201-01240	201-01241	201-01242	201-01243	201-01244		
		216	201-01245	201-01246	201-01247	201-07501	201-01248	201-01249	201-01250	201-01251	201-01252		
	77-82	210	201-01253	201-01254	201-01255	201-07502	201-01256	201-01257	201-01258	201-01259	201-01260		
		216	201-01261	201-01262	201-01263	201-07503	201-01264	201-01265	201-01266	201-01267	201-01268		

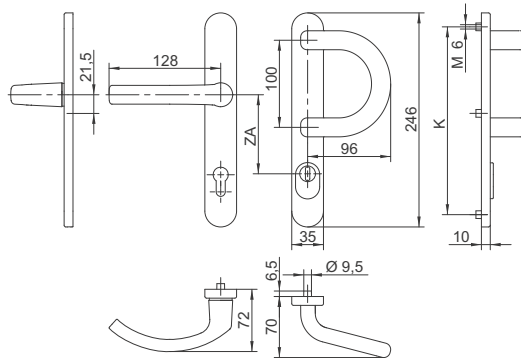


**35A/2200 P ZA**

The set consists of door grip and type P handrail, of ZnAl alloy plates, outer with burglary protection of the lock cylinder, internal equipped with a mechanism assisting the movement of handle, covered with masking caps, M6 screws, 8 mm square spindle



ZA	TS	Mounting spacing K	Colour										
			9016	8019	9005	8077	F1	F2	F3	F4	F9		
ZA 92	67-72	210	201-01301	201-01302	201-01303	201-07504	201-01304	201-01305	201-01306	201-01307	201-01308		
		216	201-01309	201-01310	201-01311	201-07505	201-01312	201-01313	201-01314	201-01315	201-01316		
	77-82	210	201-01317	201-01318	201-01319	201-07506	201-01320	201-01321	201-01322	201-01323	201-01324		
		216	201-01325	201-01326	201-01327	201-07507	201-01328	201-01329	201-01330	201-01331	201-01332		



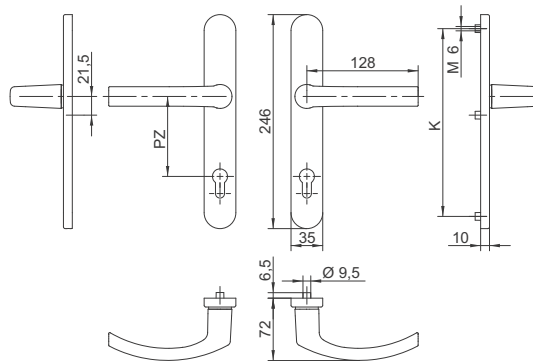
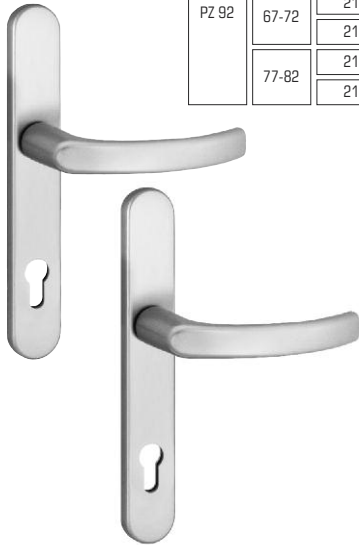
Handles for door of profiles - sets of plates with covered screws

**35A/2250**

Set of door holds with plates of ZnAl alloy, outer with hardened steel insert, internal equipped with a mechanism assisting the movement of handle, covered with masking caps, M6 screws, 8 mm square spindle



PZ	TS	Mounting spacing K	Colour										
			9016	8019	9005	8077	F1	F2	F3	F4	F9		
PZ 72	67-72	210	201-04095	201-04096	201-04097	201-07508	201-04098	201-04099	201-04100	201-04101	201-04102		
		216	201-04103	201-04104	201-04105	201-07509	201-04106	201-04107	201-04108	201-04109	201-04110		
	77-82	210	201-04111	201-04112	201-04113	201-07510	201-04114	201-04115	201-04116	201-04117	201-04118		
		216	201-04119	201-04120	201-04121	201-07511	201-04122	201-04123	201-04124	201-04125	201-04126		
PZ 92	67-72	210	201-04127	201-04128	201-04129	201-07512	201-04130	201-04131	201-04132	201-04133	201-04134		
		216	201-04135	201-04136	201-04137	201-07513	201-04138	201-04139	201-04140	201-04141	201-04142		
	77-82	210	201-04143	201-04144	201-04145	201-07514	201-04146	201-04147	201-04148	201-04149	201-04150		
		216	201-04151	201-04152	201-04153	201-07515	201-04154	201-04155	201-04156	201-04157	201-04158		

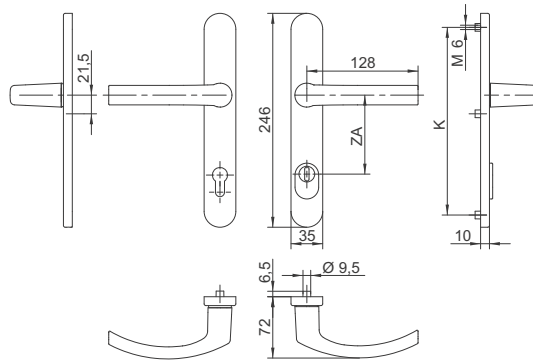


**35A/2250 ZA**

Set of door holds with plates of ZnAl alloy, outer with burglary protection of the lock cylinder, internal equipped with a mechanism assisting the movement of handle, covered with masking caps, M6 screws, 8 mm square spindle



ZA	TS	Mounting spacing K	Colour										
			9016	8019	9005	8077	F1	F2	F3	F4	F9		
ZA 92	67-72	210	201-04191	201-04192	201-04193	201-07516	201-04194	201-04195	201-04196	201-04197	201-04198		
		216	201-04199	201-04200	201-04201	201-07517	201-04202	201-04203	201-04204	201-04205	201-04206		
	77-82	210	201-04207	201-04208	201-04209	201-07518	201-04210	201-04211	201-04212	201-04213	201-04214		
		216	201-04215	201-04216	201-04217	201-07519	201-04218	201-04219	201-04220	201-04221	201-04222		





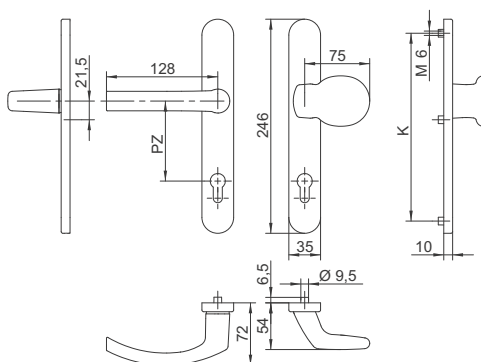
Handles for door of profiles - sets of plates with covered screws

**35A/2250 G1**

The set consists of door grip and fixed knob G1 type, of ZnAl alloy plates, outer with hardened steel insert, internal equipped with a mechanism assisting the movement of handle, covered with masking caps, M6 screws, 8 mm square spindle



PZ	TS	Mounting spacing K	Colour										
			9016	8019	9005	8077	F1	F2	F3	F4	F9		
PZ 72	67-72	210	201-04223	201-04224	201-04225	201-07520	201-04226	201-04227	201-04228	201-04229	201-04230		
		216	201-04231	201-04232	201-04233	201-07521	201-04234	201-04235	201-04236	201-04237	201-04238		
	77-82	210	201-04239	201-04240	201-04241	201-07522	201-04242	201-04243	201-04244	201-04245	201-04246		
		216	201-04247	201-04248	201-04249	201-07523	201-04250	201-04251	201-04252	201-04253	201-04254		
PZ 92	67-72	210	201-04255	201-04256	201-04257	201-07524	201-04258	201-04259	201-04260	201-04261	201-04262		
		216	201-04263	201-04264	201-04265	201-07525	201-04266	201-04267	201-04268	201-04269	201-04270		
	77-82	210	201-04271	201-04272	201-04273	201-07526	201-04274	201-04275	201-04276	201-04277	201-04278		
		216	201-04279	201-04280	201-04281	201-07527	201-04282	201-04283	201-04284	201-04285	201-04286		

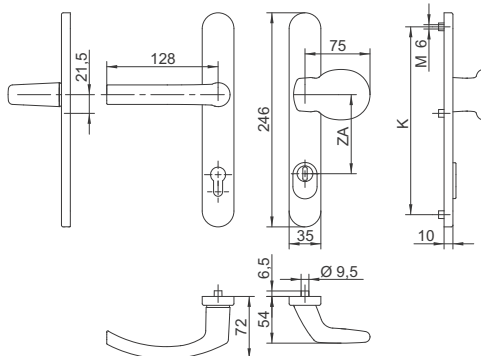


**35A/2250 G1 ZA**

The set consists of door grip and fixed knob G1 type, of ZnAl alloy plates, outer with burglary protection of the lock cylinder, internal equipped with a mechanism assisting the movement of handle, covered with masking caps, M6 screws, 8 mm square spindle



ZA	TS	Mounting spacing K	Colour										
			9016	8019	9005	8077	F1	F2	F3	F4	F9		
ZA 92	67-72	210	201-04319	201-04320	201-04321	201-07528	201-04322	201-04323	201-04324	201-04325	201-04326		
		216	201-04327	201-04328	201-04329	201-07529	201-04330	201-04331	201-04332	201-04333	201-04334		
	77-82	210	201-04335	201-04336	201-04337	201-07530	201-04338	201-04339	201-04340	201-04341	201-04342		
		216	201-04343	201-04344	201-04345	201-07531	201-04346	201-04347	201-04348	201-04349	201-04350		



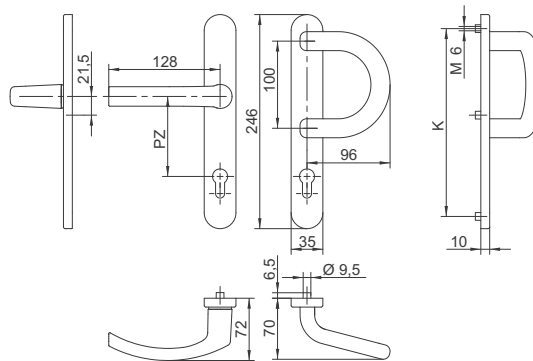
Handles for door of profiles - sets of plates with covered screws

**35A/2250 P**

The set consists of door grip and type P handrail, of ZnAl alloy plates, outer with hardened steel insert, internal equipped with a mechanism assisting the movement of handle, covered with masking caps, M6 screws, 8 mm square spindle



PZ	TS	Mounting spacing K	Colour										
			9016	8019	9005	8077	F1	F2	F3	F4	F9		
PZ 72	67-72	210	201-04351	201-04352	201-04353	201-07532	201-04354	201-04355	201-04356	201-04357	201-04358		
		216	201-04359	201-04360	201-04361	201-07533	201-04362	201-04363	201-04364	201-04365	201-04366		
	77-82	210	201-04367	201-04368	201-04369	201-07534	201-04370	201-04371	201-04372	201-04373	201-04374		
		216	201-04375	201-04376	201-04377	201-07535	201-04378	201-04379	201-04380	201-04381	201-04382		
PZ 92	67-72	210	201-04383	201-04384	201-04385	201-07536	201-04386	201-04387	201-04388	201-04389	201-04390		
		216	201-04391	201-04392	201-04393	201-07537	201-04394	201-04395	201-04396	201-04397	201-04398		
	77-82	210	201-04399	201-04400	201-04401	201-07538	201-04402	201-04403	201-04404	201-04405	201-04406		
		216	201-04407	201-04408	201-04409	201-07539	201-04410	201-04411	201-04412	201-04413	201-04414		

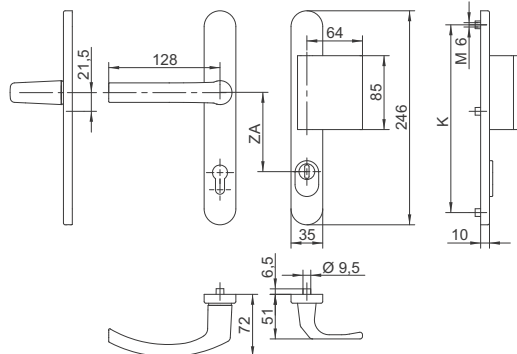


**35A/2250 L1 ZA**

The set consists of door grip and type L1 handrail, of ZnAl alloy plates, outer with burglary protection of the lock cylinder, internal equipped with a mechanism assisting the movement of handle, covered with masking caps, M6 screws, 8 mm square spindle



ZA	TS	Mounting spacing K	Colour										
			9016	8019	9005	8077	F1	F2	F3	F4	F9		
ZA 92	67-72	210	201-04415	201-04416	201-04417	201-07540	201-04418	201-04419	201-04420	201-04421	201-04422		
		216	201-04423	201-04424	201-04425	201-07541	201-04426	201-04427	201-04428	201-04429	201-04430		
	77-82	210	201-04431	201-04432	201-04433	201-07542	201-04434	201-04435	201-04436	201-04437	201-04438		
		216	201-04439	201-04440	201-04441	201-07543	201-04442	201-04443	201-04444	201-04445	201-04446		



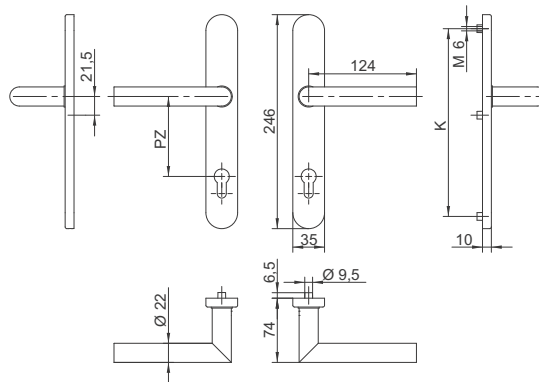
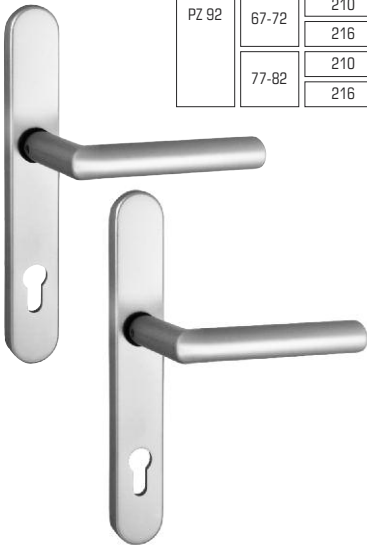
Handles for door of profiles - sets of plates with covered screws

**35A/1010**

Set of door holds with plates of ZnAl alloy, outer with hardened steel insert, internal equipped with a mechanism assisting the movement of handle, covered with masking caps, M6 screws, 8 mm square spindle



PZ	TS	Mounting spacing K	Colour											
			9016	8019	9005	8077	F1	F2	F3	F4	F9	ES		
PZ 72	67-72	210	201-03263	201-03264	201-03265	201-07544	201-03266	201-03267	201-03268	201-03269	201-03270	201-03271		
		216	201-03272	201-03273	201-03274	201-07545	201-03275	201-03276	201-03277	201-03278	201-03279	201-03280		
	77-82	210	201-03281	201-03282	201-03283	201-07546	201-03284	201-03285	201-03286	201-03287	201-03288	201-03289		
		216	201-03290	201-03291	201-03292	201-07547	201-03293	201-03294	201-03295	201-03296	201-03297	201-03298		
PZ 92	67-72	210	201-03299	201-03300	201-03301	201-07548	201-03302	201-03303	201-03304	201-03305	201-03306	201-03307		
		216	201-03308	201-03309	201-03310	201-07549	201-03311	201-03312	201-03313	201-03314	201-03315	201-03316		
	77-82	210	201-03317	201-03318	201-03319	201-07550	201-03320	201-03321	201-03322	201-03323	201-03324	201-03325		
		216	201-03326	201-03327	201-03328	201-07551	201-03329	201-03330	201-03331	201-03332	201-03333	201-03334		

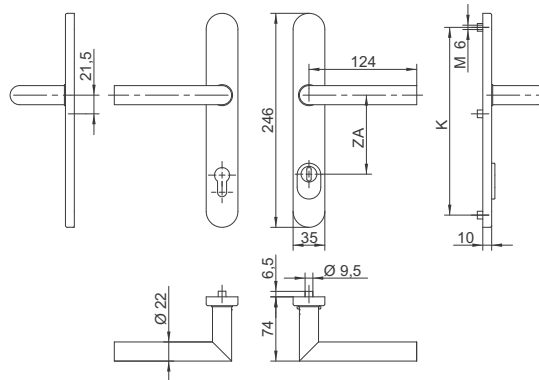


**35A/1010 ZA**

Set of door holds with plates of ZnAl alloy, outer with burglary protection of the lock cylinder, internal equipped with a mechanism assisting the movement of handle, covered with masking caps, M6 screws, 8 mm square spindle



ZA	TS	Mounting spacing K	Colour											
			9016	8019	9005	8077	F1	F2	F3	F4	F9	ES		
ZA 92	67-72	210	201-03371	201-03372	201-03373	201-07552	201-03374	201-03375	201-03376	201-03377	201-03378	201-03379		
		216	201-03380	201-03381	201-03382	201-07553	201-03383	201-03384	201-03385	201-03386	201-03387	201-03388		
	77-82	210	201-03389	201-03390	201-03391	201-07554	201-03392	201-03393	201-03394	201-03395	201-03396	201-03397		
		216	201-03398	201-03399	201-03400	201-07555	201-03401	201-03402	201-03403	201-03404	201-03405	201-03406		



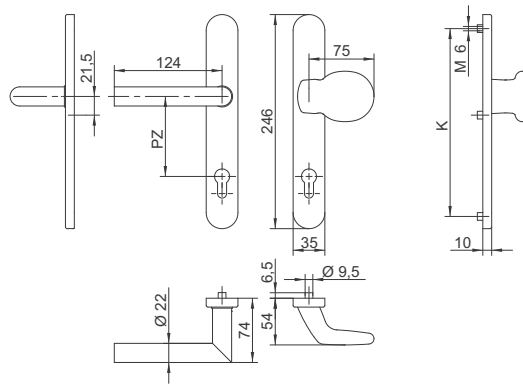
Handles for door of profiles - sets of plates with covered screws

**35A/1010 G1**

The set consists of door grip and fixed knob G1 type, of ZnAl alloy plates, outer with hardened steel insert, internal equipped with a mechanism assisting the movement of handle, covered with masking caps, M6 screws, 8 mm square spindle



PZ	TS	Mounting spacing K	Colour											
			9016	8019	9005	8077	F1	F2	F3	F4	F9	ES		
PZ 72	67-72	210	201-03407	201-03408	201-03409	201-07556	201-03410	201-03411	201-03412	201-03413	201-03414	201-03415		
		216	201-03416	201-03417	201-03418	201-07557	201-03419	201-03420	201-03421	201-03422	201-03423	201-03424		
	77-82	210	201-03425	201-03426	201-03427	201-07558	201-03428	201-03429	201-03430	201-03431	201-03432	201-03433		
		216	201-03434	201-03435	201-03436	201-07559	201-03437	201-03438	201-03439	201-03440	201-03441	201-03442		
PZ 92	67-72	210	201-03443	201-03444	201-03445	201-07560	201-03446	201-03447	201-03448	201-03449	201-03450	201-03451		
		216	201-03452	201-03453	201-03454	201-07561	201-03455	201-03456	201-03457	201-03458	201-03459	201-03460		
	77-82	210	201-03461	201-03462	201-03463	201-07562	201-03464	201-03465	201-03466	201-03467	201-03468	201-03469		
		216	201-03470	201-03471	201-03472	201-07563	201-03473	201-03474	201-03475	201-03476	201-03477	201-03478		

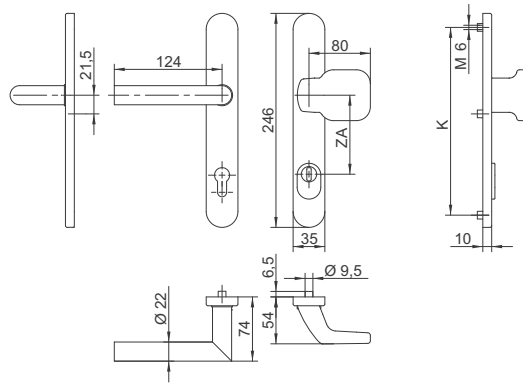


**35A/1010 G2 ZA**

The set consists of door grip and fixed knob G2 type, of ZnAl alloy plates, outer with burglary protection of the lock cylinder, internal equipped with a mechanism assisting the movement of handle, covered with masking caps, M6 screws, 8 mm square spindle



ZA	TS	Mounting spacing K	Colour											
			9016	8019	9005	8077	F1	F2	F3	F4	F9			
ZA 92	67-72	210	201-03511	201-03512	201-03513	201-07564	201-03514	201-03515	201-03516	201-03517	201-03518			
		216	201-03519	201-03520	201-03521	201-07565	201-03522	201-03523	201-03524	201-03525	201-03526			
	77-82	210	201-03527	201-03528	201-03529	201-07566	201-03530	201-03531	201-03532	201-03533	201-03534			
		216	201-03535	201-03536	201-03537	201-07567	201-03538	201-03539	201-03540	201-03541	201-03542			



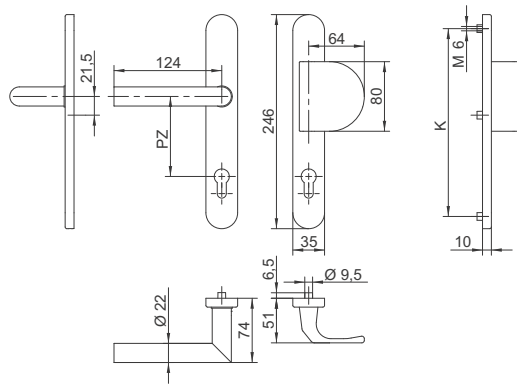
Handles for door of profiles - sets of plates with covered screws

**35A/1010 L3**

The set consists of door grip and type L3 handrail, of ZnAl alloy plates, outer with hardened steel insert, internal equipped with a mechanism assisting the movement of handle, covered with masking caps, M6 screws, 8 mm square spindle



PZ	TS	Mounting spacing K	Colour										
			9016	8019	9005	8077	F1	F2	F3	F4	F9		
PZ 72	67-72	210	201-03543	201-03544	201-03545	201-07568	201-03546	201-03547	201-03548	201-03549	201-03550		
		216	201-03551	201-03552	201-03553	201-07569	201-03554	201-03555	201-03556	201-03557	201-03558		
	77-82	210	201-03559	201-03560	201-03561	201-07570	201-03562	201-03563	201-03564	201-03565	201-03566		
		216	201-03567	201-03568	201-03569	201-07571	201-03570	201-03571	201-03572	201-03573	201-03574		
PZ 92	67-72	210	201-03575	201-03576	201-03577	201-07572	201-03578	201-03579	201-03580	201-03581	201-03582		
		216	201-03583	201-03584	201-03585	201-07573	201-03586	201-03587	201-03588	201-03589	201-03590		
	77-82	210	201-03591	201-03592	201-03593	201-07574	201-03594	201-03595	201-03596	201-03597	201-03598		
		216	201-03599	201-03600	201-03601	201-07575	201-03602	201-03603	201-03604	201-03605	201-03606		

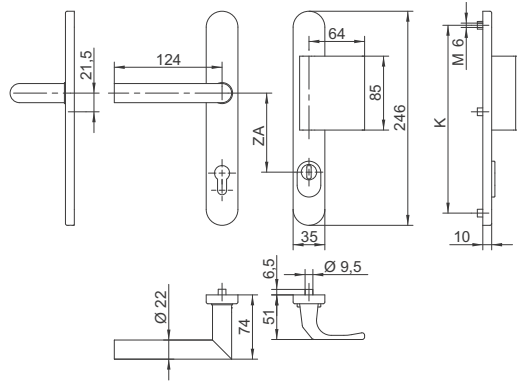


**35A/1010 L4 ZA**

The set consists of door grip and type L4 handrail, of ZnAl alloy plates, outer with burglary protection of the lock cylinder, internal equipped with a mechanism assisting the movement of handle, covered with masking caps, M6 screws, 8 mm square spindle



ZA	TS	Mounting spacing K	Colour										
			9016	8019	9005	8077	F1	F2	F3	F4	F9		
ZA 92	67-72	210	201-03639	201-03640	201-03641	201-07576	201-03642	201-03643	201-03644	201-03645	201-03646		
		216	201-03647	201-03648	201-03649	201-07577	201-03650	201-03651	201-03652	201-03653	201-03654		
	77-82	210	201-03655	201-03656	201-03657	201-07578	201-03658	201-03659	201-03660	201-03661	201-03662		
		216	201-03663	201-03664	201-03665	201-07579	201-03666	201-03667	201-03668	201-03669	201-03670		



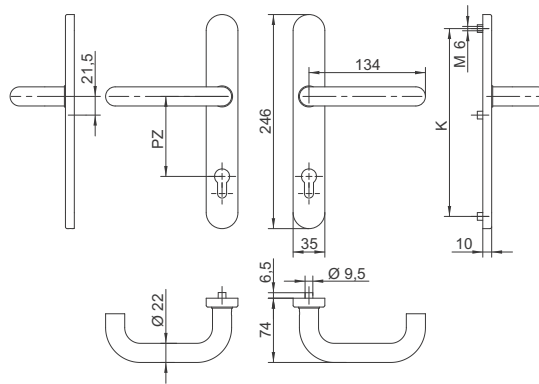
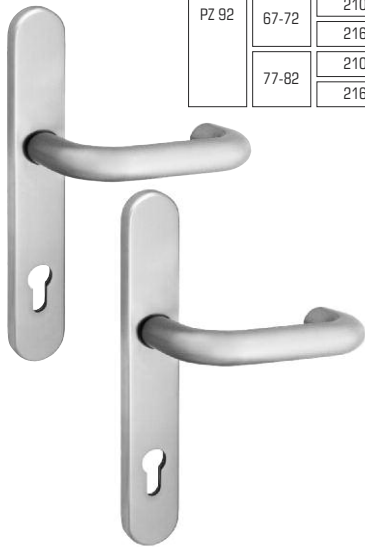
Handles for door of profiles - sets of plates with covered screws

**35A/1040**

Set of door holds with plates of ZnAl alloy, outer with hardened steel insert, internal equipped with a mechanism assisting the movement of handle, covered with masking caps, M6 screws, 8 mm square spindle



PZ	TS	Mounting spacing K	Colour											
			9016	8019	9005	8077	F1	F2	F3	F4	F9	ES		
PZ 72	67-72	210	201-03671	201-03672	201-03673	201-07580	201-03674	201-03675	201-03676	201-03677	201-03678	201-03679		
		216	201-03680	201-03681	201-03682	201-07581	201-03683	201-03684	201-03685	201-03686	201-03687	201-03688		
	77-82	210	201-03689	201-03690	201-03691	201-07582	201-03692	201-03693	201-03694	201-03695	201-03696	201-03697		
		216	201-03698	201-03699	201-03700	201-07583	201-03701	201-03702	201-03703	201-03704	201-03705	201-03706		
PZ 92	67-72	210	201-03707	201-03708	201-03709	201-07584	201-03710	201-03711	201-03712	201-03713	201-03714	201-03715		
		216	201-03716	201-03717	201-03718	201-07585	201-03719	201-03720	201-03721	201-03722	201-03723	201-03724		
	77-82	210	201-03725	201-03726	201-03727	201-07586	201-03728	201-03729	201-03730	201-03731	201-03732	201-03733		
		216	201-03734	201-03735	201-03736	201-07587	201-03737	201-03738	201-03739	201-03740	201-03741	201-03742		

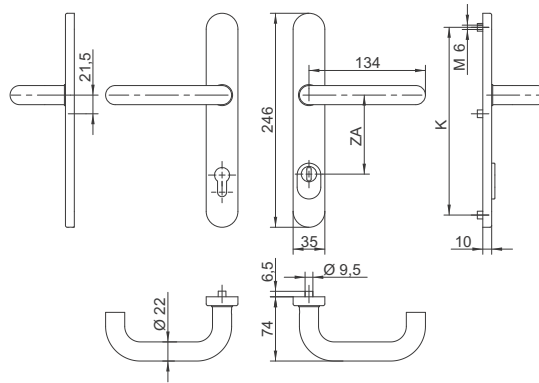


**35A/1040 ZA**

Set of door holds with plates of ZnAl alloy, outer with burglary protection of the lock cylinder, internal equipped with a mechanism assisting the movement of handle, covered with masking caps, M6 screws, 8 mm square spindle



ZA	TS	Mounting spacing K	Colour											
			9016	8019	9005	8077	F1	F2	F3	F4	F9	ES		
ZA 92	67-72	210	201-03779	201-03780	201-03781	201-07588	201-03782	201-03783	201-03784	201-03785	201-03786	201-03787		
		216	201-03788	201-03789	201-03790	201-07589	201-03791	201-03792	201-03793	201-03794	201-03795	201-03796		
	77-82	210	201-03797	201-03798	201-03799	201-07590	201-03800	201-03801	201-03802	201-03803	201-03804	201-03805		
		216	201-03806	201-03807	201-03808	201-07591	201-03809	201-03810	201-03811	201-03812	201-03813	201-03814		



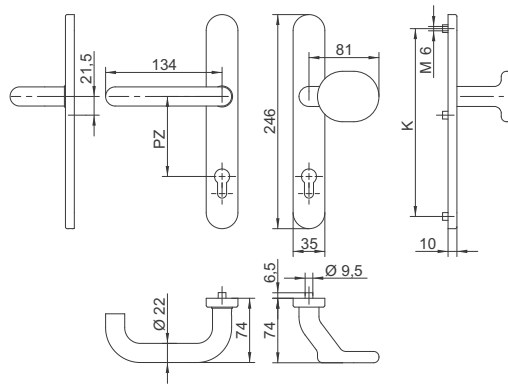
Handles for door of profiles - sets of plates with covered screws

**35A/1040 G3/S**

The set consists of door grip and fixed knob G3 type, of ZnAl alloy plates, outer with hardened steel insert, internal equipped with a mechanism assisting the movement of handle, covered with masking caps, M6 screws, 8 mm square spindle



PZ	TS	Mounting spacing K	Colour											
			9016	8019	9005	8077	F1	F2	F3	F4	F9	ES		
PZ 72	67-72	210	201-03815	201-03816	201-03817	201-07592	201-03818	201-03819	201-03820	201-03821	201-03822	201-03823		
		216	201-03824	201-03825	201-03826	201-07593	201-03827	201-03828	201-03829	201-03830	201-03831	201-03832		
	77-82	210	201-03833	201-03834	201-03835	201-07594	201-03836	201-03837	201-03838	201-03839	201-03840	201-03841		
		216	201-03842	201-03843	201-03844	201-07595	201-03845	201-03846	201-03847	201-03848	201-03849	201-03850		
PZ 92	67-72	210	201-03851	201-03852	201-03853	201-07596	201-03854	201-03855	201-03856	201-03857	201-03858	201-03859		
		216	201-03860	201-03861	201-03862	201-07597	201-03863	201-03864	201-03865	201-03866	201-03867	201-03868		
	77-82	210	201-03869	201-03870	201-03871	201-07598	201-03872	201-03873	201-03874	201-03875	201-03876	201-03877		
		216	201-03878	201-03879	201-03880	201-07599	201-03881	201-03882	201-03883	201-03884	201-03885	201-03886		

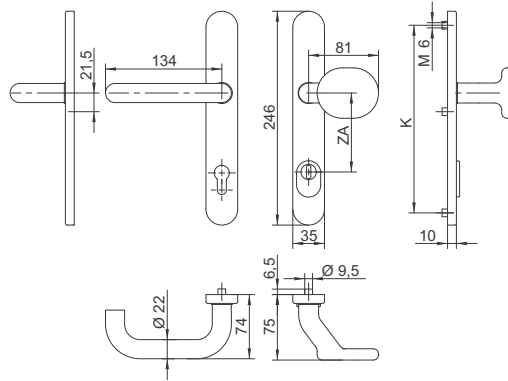


**35A/1040 G3/O ZA**

The set consists of door grip and rotating knob G3 type, of ZnAl alloy plates, outer with burglary protection of the lock cylinder, internal equipped with a mechanism assisting the movement of handle, covered with masking caps, M6 screws, 8 mm square spindle



ZA	TS	Mounting spacing K	Colour											
			9016	8019	9005	8077	F1	F2	F3	F4	F9	ES		
ZA 92	67-72	210	201-04667	201-04668	201-04669	201-07600	201-04670	201-04671	201-04672	201-04673	201-04674	201-04675		
		216	201-04676	201-04677	201-04678	201-07601	201-04679	201-04680	201-04681	201-04682	201-04683	201-04684		
	77-82	210	201-04685	201-04686	201-04687	201-07602	201-04688	201-04689	201-04690	201-04691	201-04692	201-04693		
		216	201-04694	201-04695	201-04696	201-07603	201-04697	201-04698	201-04699	201-04700	201-04701	201-04702		



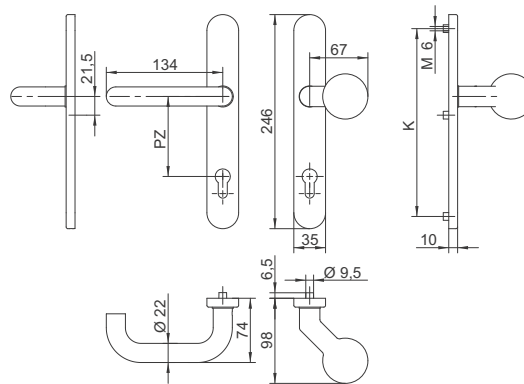
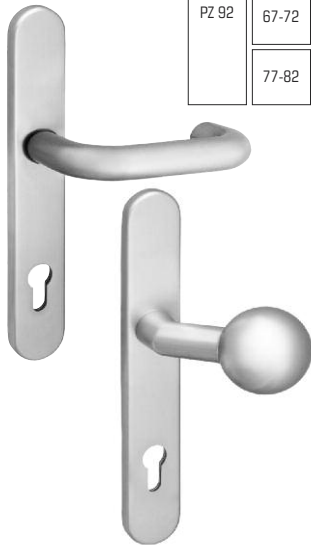
Handles for door of profiles - sets of plates with covered screws

**35A/1040 G4/O**

The set consists of door grip and rotating knob G4 type (ball), of ZnAl alloy plates, outer with hardened steel insert, internal equipped with a mechanism assisting the movement of handle, covered with masking caps, M6 screws, 8 mm square spindle



PZ	TS	Mounting spacing K	Colour											
			9016	8019	9005	8077	F1	F2	F3	F4	F9	ES		
PZ 72	67-72	210	201-04703	201-04704	201-04705	201-07604	201-04706	201-04707	201-04708	201-04709	201-04710	201-04711		
		216	201-04712	201-04713	201-04714	201-07605	201-04715	201-04716	201-04717	201-04718	201-04719	201-04720		
	77-82	210	201-04721	201-04722	201-04723	201-07606	201-04724	201-04725	201-04726	201-04727	201-04728	201-04729		
		216	201-04730	201-04731	201-04732	201-07607	201-04733	201-04734	201-04735	201-04736	201-04737	201-04738		
PZ 92	67-72	210	201-04739	201-04740	201-04741	201-07608	201-04742	201-04743	201-04744	201-04745	201-04746	201-04747		
		216	201-04748	201-04749	201-04750	201-07609	201-04751	201-04752	201-04753	201-04754	201-04755	201-04756		
	77-82	210	201-04757	201-04758	201-04759	201-07610	201-04760	201-04761	201-04762	201-04763	201-04764	201-04765		
		216	201-04766	201-04767	201-04768	201-07611	201-04769	201-04770	201-04771	201-04772	201-04773	201-04774		

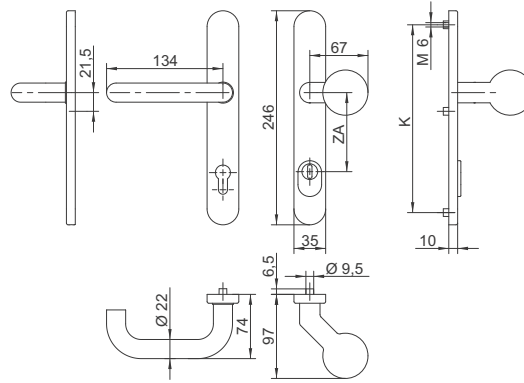


**35A/1040 G4/S ZA**

The set consists of door grip and fixed knob G4 type (ball), of ZnAl alloy plates, outer with burglary protection of the lock cylinder, internal equipped with a mechanism assisting the movement of handle, covered with masking caps, M6 screws, 8 mm square spindle



ZA	TS	Mounting spacing K	Colour											
			9016	8019	9005	8077	F1	F2	F3	F4	F9	ES		
ZA 92	67-72	210	201-03923	201-03924	201-03925	201-07612	201-03926	201-03927	201-03928	201-03929	201-03930	201-03931		
		216	201-03932	201-03933	201-03934	201-07613	201-03935	201-03936	201-03937	201-03938	201-03939	201-03940		
	77-82	210	201-03941	201-03942	201-03943	201-07614	201-03944	201-03945	201-03946	201-03947	201-03948	201-03949		
		216	201-03950	201-03951	201-03952	201-07615	201-03953	201-03954	201-03955	201-03956	201-03957	201-03958		





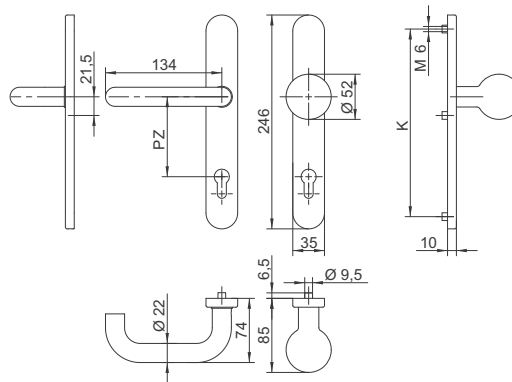
Handles for door of profiles - sets of plates with covered screws

**35A/1040 G6/S**

The set consists of door grip and fixed knob G6 type, of ZnAl alloy plates, outer with hardened steel insert, internal equipped with a mechanism assisting the movement of handle, covered with masking caps, M6 screws, 8 mmsquare spindle



PZ	TS	Mounting spacing K	Colour											
			9016	8019	9005	8077	F1	F2	F3	F4	F9	ES		
PZ 72	67-72	210	201-04775	201-04776	201-04777	201-07616	201-04778	201-04779	201-04780	201-04781	201-04782	201-04783		
		216	201-04784	201-04785	201-04786	201-07617	201-04787	201-04788	201-04789	201-04790	201-04791	201-04792		
	77-82	210	201-04793	201-04794	201-04795	201-07618	201-04796	201-04797	201-04798	201-04799	201-04800	201-04801		
		216	201-04802	201-04803	201-04804	201-07619	201-04805	201-04806	201-04807	201-04808	201-04809	201-04810		
PZ 92	67-72	210	201-04811	201-04812	201-04813	201-07620	201-04814	201-04815	201-04816	201-04817	201-04818	201-04819		
		216	201-04820	201-04821	201-04822	201-07621	201-04823	201-04824	201-04825	201-04826	201-04827	201-04828		
	77-82	210	201-04829	201-04830	201-04831	201-07622	201-04832	201-04833	201-04834	201-04835	201-04836	201-04837		
		216	201-04838	201-04839	201-04840	201-07623	201-04841	201-04842	201-04843	201-04844	201-04845	201-04846		

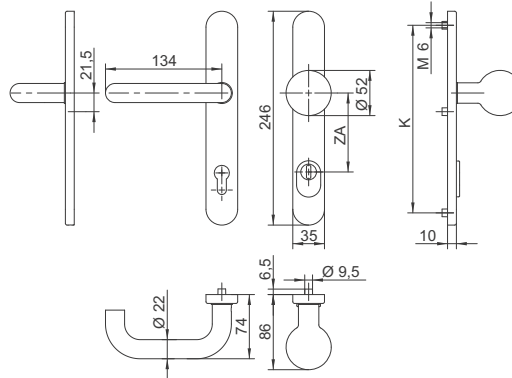


**35A/1040 G6/O ZA**

The set consists of door grip and rotating knob G6 type, of ZnAl alloy plates, outer with burglary protection of the lock cylinder, internal equipped with a mechanism assisting the movement of handle, covered with masking caps, M6 screws, 8 mm square spindle



ZA	TS	Mounting spacing K	Colour											
			9016	8019	9005	8077	F1	F2	F3	F4	F9	ES		
ZA 92	67-72	210	201-04847	201-04848	201-04849	201-07624	201-04850	201-04851	201-04852	201-04853	201-04854	201-04855		
		216	201-04856	201-04857	201-04858	201-07625	201-04859	201-04860	201-04861	201-04862	201-04863	201-04864		
	77-82	210	201-04865	201-04866	201-04867	201-07626	201-04868	201-04869	201-04870	201-04871	201-04872	201-04873		
		216	201-04874	201-04875	201-04876	201-07627	201-04877	201-04878	201-04879	201-04880	201-04881	201-04882		



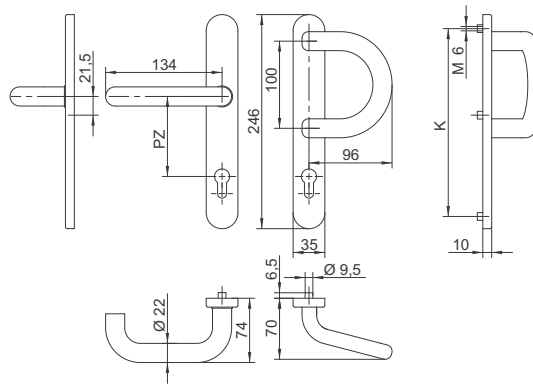
Handles for door of profiles - sets of plates with covered screws

**35A/1040 P**

The set consists of door grip and type P handrail, of ZnAl alloy plates, outer with hardened steel insert, internal equipped with a mechanism assisting the movement of handle, covered with masking caps, M6 screws, 8 mm square spindle



PZ	TS	Mounting spacing K	Colour											
			9016	8019	9005	8077	F1	F2	F3	F4	F9	ES		
PZ 72	67-72	210	201-03959	201-03960	201-03961	201-07628	201-03962	201-03963	201-03964	201-03965	201-03966	201-03967		
		216	201-03968	201-03969	201-03970	201-07629	201-03971	201-03972	201-03973	201-03974	201-03975	201-03976		
	77-82	210	201-03977	201-03978	201-03979	201-07630	201-03980	201-03981	201-03982	201-03983	201-03984	201-03985		
		216	201-03986	201-03987	201-03988	201-07631	201-03989	201-03990	201-03991	201-03992	201-03993	201-03994		
PZ 92	67-72	210	201-03995	201-03996	201-03997	201-07632	201-03998	201-03999	201-04000	201-04001	201-04002	201-04003		
		216	201-04004	201-04005	201-04006	201-07633	201-04007	201-04008	201-04009	201-04010	201-04011	201-04012		
	77-82	210	201-04013	201-04014	201-04015	201-07634	201-04016	201-04017	201-04018	201-04019	201-04020	201-04021		
		216	201-04022	201-04023	201-04024	201-07635	201-04025	201-04026	201-04027	201-04028	201-04029	201-04030		

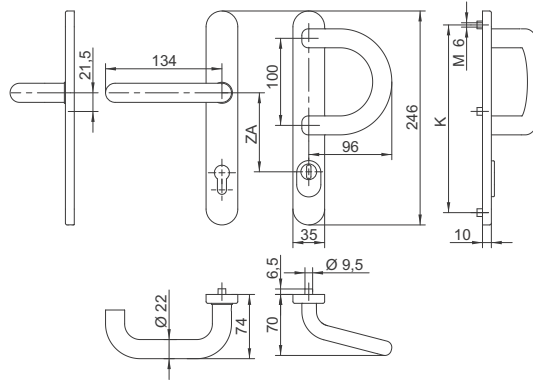


**35A/1040 P ZA**

The set consists of door grip and type P handrail, of ZnAl alloy plates, outer with burglary protection of the lock cylinder, internal equipped with a mechanism assisting the movement of handle, covered with masking caps, M6 screws, 8 mm square spindle



ZA	TS	Mounting spacing K	Colour											
			9016	8019	9005	8077	F1	F2	F3	F4	F9	ES		
ZA 92	67-72	210	201-04063	201-04064	201-04065	201-07636	201-04066	201-04067	201-04068	201-04069	201-04070			
		216	201-04071	201-04072	201-04073	201-07637	201-04074	201-04075	201-04076	201-04077	201-04078			
	77-82	210	201-04079	201-04080	201-04081	201-07638	201-04082	201-04083	201-04084	201-04085	201-04086			
		216	201-04087	201-04088	201-04089	201-07639	201-04090	201-04091	201-04092	201-04093	201-04094			

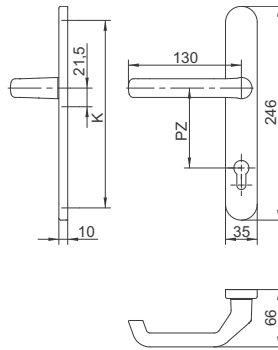


Handles for door of profiles - sets of plates with covered screws

**35A/1200**  
internal

Inner door grip with internal plate of ZnAl alloy, equipped with a mechanism assisting movement of the handle, protected with a masking cap

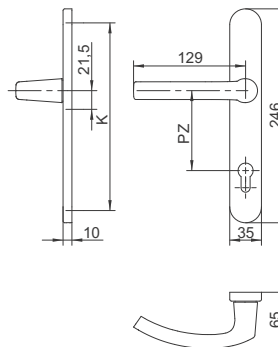
PZ	Mounting spacing K	Colour									
		9016	8019	9005	8077	F1	F2	F3	F4	F9	ES
PZ 72	210	201-05280	201-05281	201-05282	201-07640	201-05283	201-05284	201-05285	201-05286	201-05287	201-05288
	216	201-05291	201-05292	201-05293	201-07641	201-05294	201-05295	201-05296	201-05297	201-05298	201-05299
PZ 92	210	201-05302	201-05303	201-05304	201-07642	201-05305	201-05306	201-05307	201-05308	201-05309	201-05310
	216	201-05313	201-05314	201-05315	201-06218	201-05316	201-05317	201-05318	201-05319	201-05320	201-05321



**35A/2000**  
internal

Inner door grip with internal plate of ZnAl alloy, equipped with a mechanism assisting movement of the handle, protected with a masking cap

PZ	Mounting spacing K	Colour									
		9016	8019	9005	8077	F1	F2	F3	F4	F9	ES
PZ 72	210	201-05324	201-05325	201-05326	201-07643	201-05327	201-05328	201-05329	201-05330	201-05331	201-05332
	216	201-05333	201-05334	201-05335	201-07644	201-05336	201-05337	201-05338	201-05339	201-05340	201-05341
PZ 92	210	201-05342	201-05343	201-05344	201-07645	201-05345	201-05346	201-05347	201-05348	201-05349	201-05350
	216	201-05351	201-05352	201-05353	201-07646	201-05354	201-05355	201-05356	201-05357	201-05358	201-05359

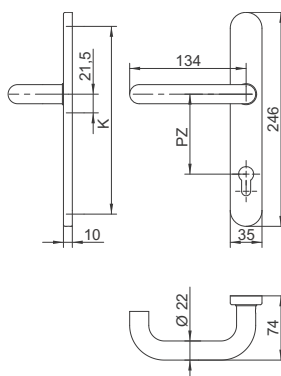


Handles for door of profiles - sets of plates with covered screws

**35A/1040**  
internal

Inner door grip with internal plate of ZnAl alloy, equipped with a mechanism assisting movement of the handle, protected with a masking cap

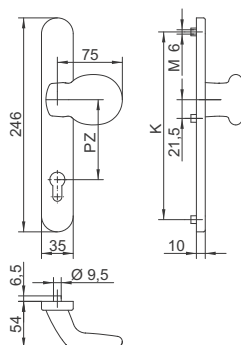
PZ	Mounting spacing K	Colour										
		9016	8019	9005	8077	F1	F2	F3	F4	F9	ES	
PZ 72	210	201-05360	201-05361	201-05362	201-07647	201-05363	201-05364	201-05365	201-05366	201-05367	201-05368	
	216	201-05369	201-05370	201-05371	201-07648	201-05372	201-05373	201-05374	201-05375	201-05376	201-05377	
PZ 92	210	201-05378	201-05379	201-05380	201-07649	201-05381	201-05382	201-05383	201-05384	201-05385	201-05386	
	216	201-05387	201-05388	201-05389	201-07650	201-05390	201-05391	201-05392	201-05393	201-05394	201-05395	



**35A/G1**  
external

Knob with an external plate made of ZnAl alloy, with hardened steel insert, with M6 threads, covered with masking cap

PZ	Mounting spacing K	Colour										
		9016	8019	9005	8077	F1	F2	F3	F4	F9	ES	
PZ 72	210	201-04883	201-04884	201-04885	201-07651	201-04886	201-04887	201-04888	201-04889	201-04890	201-04891	
	216	201-04894	201-04895	201-04896	201-07652	201-04897	201-04898	201-04899	201-04900	201-04901	201-04902	
PZ 92	210	201-04905	201-04906	201-04907	201-07653	201-04908	201-04909	201-04910	201-04911	201-04912	201-04913	
	216	201-04916	201-04917	201-04918	201-06605	201-04919	201-04920	201-04921	201-04922	201-04923	201-04924	

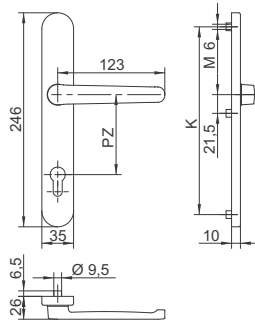


Handles for door of profiles - sets of plates with covered screws

**35A/R**  
external

Low grip under shutters with an external plate made of ZnAl alloy, with hardened steel insert, with M6 threads, covered with masking cap

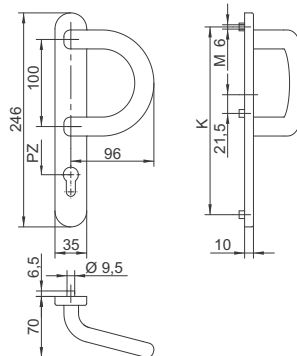
PZ	Mounting spacing K	Colour									
		9016	8019	9005	8077	F1	F2	F3	F4	F9	ES
PZ 72	210	201-04927	201-04928	201-04929	201-07654	201-04930	201-04931	201-04932	201-04933	201-04934	201-08374
	216	201-04936	201-04937	201-04938	201-07655	201-04939	201-04940	201-04941	201-04942	201-04943	201-08375
PZ 92	210	201-04945	201-04946	201-04947	201-07656	201-04948	201-04949	201-04950	201-04951	201-04952	201-08376
	216	201-04954	201-04955	201-04956	201-07657	201-04957	201-04958	201-04959	201-04960	201-04961	201-08158



**35A/P**  
external

Type P handrail with an external plate made of ZnAl alloy, with hardened steel insert, with M6 threads, covered with masking cap

PZ	Mounting spacing K	Colour									
		9016	8019	9005	8077	F1	F2	F3	F4	F9	ES
PZ 72	210	201-04963	201-04964	201-04965	201-07658	201-04966	201-04967	201-04968	201-04969	201-04970	201-04971
	216	201-04972	201-04973	201-04974	201-07659	201-04975	201-04976	201-04977	201-04978	201-04979	201-04980
PZ 92	210	201-04981	201-04982	201-04983	201-06022	201-04984	201-04985	201-04986	201-04987	201-04988	201-04989
	216	201-04990	201-04991	201-04992	201-07660	201-04993	201-04994	201-04995	201-04996	201-04997	201-04998

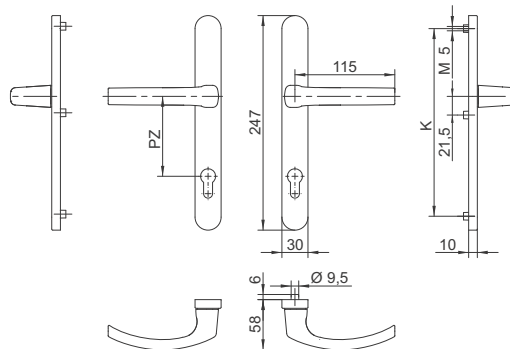


Handles for door of profiles - sets of plates with covered screws

**30A/1006**

Set of door holds with plates of ZnAl alloy, internal equipped with a mechanism assisting the movement of handle, covered with masking caps, M6 screws, 8 mm square spindle

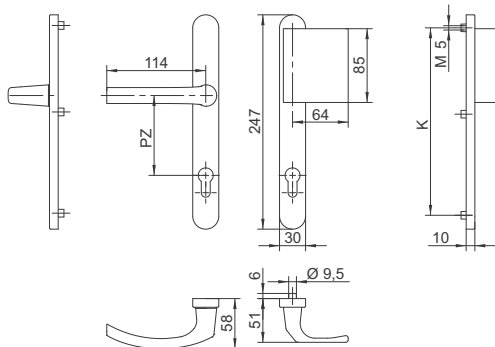
PZ	TS	Mounting spacing K	Colour										
			9016	8019	9005	8077	F1	F2	F3	F4	F9		
PZ 72	67-72	210	201-04999	201-05000	201-05001	201-07661	201-05002	201-05003	201-05004	201-05005	201-05006		
		216	201-05008	201-05009	201-05010	201-07662	201-05011	201-05012	201-05013	201-05014	201-05015		
	77-82	210	201-05017	201-05018	201-05019	201-07663	201-05020	201-05021	201-05022	201-05023	201-05024		
		216	201-05026	201-05027	201-05028	201-07664	201-05029	201-05030	201-05031	201-05032	201-05033		
PZ 92	67-72	210	201-05035	201-05036	201-05037	201-07665	201-05038	201-05039	201-05040	201-05041	201-05042		
		216	201-05044	201-05045	201-05046	201-06291	201-05047	201-05048	201-05049	201-05050	201-05051		
	77-82	210	201-05053	201-05054	201-05055	201-07666	201-05056	201-05057	201-05058	201-05059	201-05060		
		216	201-05062	201-05063	201-05064	201-07667	201-05065	201-05066	201-05067	201-05068	201-05069		



**30A/1006 L1**

The set consists of door grip and type L1 handrail, of ZnAl alloy plates, internal equipped with a mechanism assisting the movement of handle, covered with masking caps, M6 screws, 8 mm square spindle

PZ	TS	Mounting spacing K	Colour										
			9016	8019	9005	8077	F1	F2	F3	F4	F9		
PZ 72	67-72	210	201-05071	201-05072	201-05073	201-07668	201-05074	201-05075	201-05076	201-05077	201-05078		
		216	201-05079	201-05080	201-05081	201-07669	201-05082	201-05083	201-05084	201-05085	201-05086		
	77-82	210	201-05087	201-05088	201-05089	201-07670	201-05090	201-05091	201-05092	201-05093	201-05094		
		216	201-05095	201-05096	201-05097	201-07671	201-05098	201-05099	201-05100	201-05101	201-05102		
PZ 92	67-72	210	201-05103	201-05104	201-05105	201-07672	201-05106	201-05107	201-05108	201-05109	201-05110		
		216	201-05111	201-05112	201-05113	201-07673	201-05114	201-05115	201-05116	201-05117	201-05118		
	77-82	210	201-05119	201-05120	201-05121	201-07674	201-05122	201-05123	201-05124	201-05125	201-05126		
		216	201-05127	201-05128	201-05129	201-07675	201-05130	201-05131	201-05132	201-05133	201-05134		

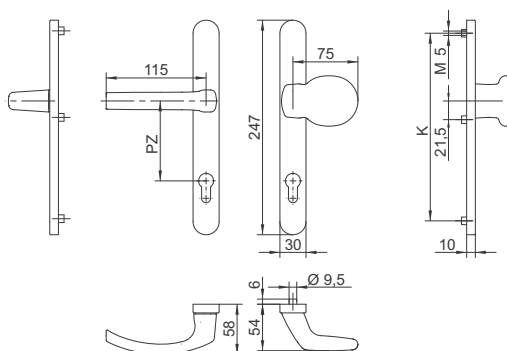


Handles for door of profiles - sets of plates with covered screws

**30A/1006 G1**

The set consists of door grip and type G1 fixed knob, of ZnAl alloy plates, internal equipped with a mechanism assisting the movement of handle, covered with masking caps, M6 screws, 8 mm square spindle

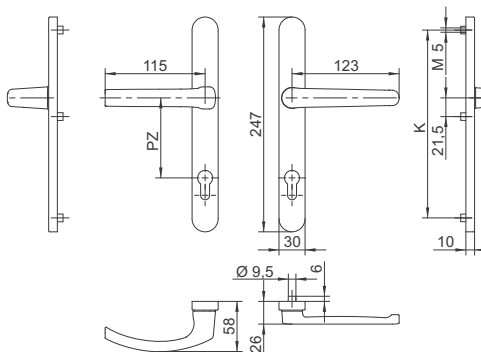
PZ	TS	Mounting spacing K	Colour										
			9016	8019	9005	8077	F1	F2	F3	F4	F9		
PZ 72	67-72	210	201-05135	201-05136	201-05137	201-07676	201-05138	201-05139	201-05140	201-05141	201-05142		
		216	201-05144	201-05145	201-05146	201-07677	201-05147	201-05148	201-05149	201-05150	201-05151		
	77-82	210	201-05153	201-05154	201-05155	201-07678	201-05156	201-05157	201-05158	201-05159	201-05160		
		216	201-05162	201-05163	201-05164	201-07679	201-05165	201-05166	201-05167	201-05168	201-05169		
PZ 92	67-72	210	201-05171	201-05172	201-05173	201-07680	201-05174	201-05175	201-05176	201-05177	201-05178		
		216	201-05180	201-05181	201-05182	201-06553	201-05183	201-05184	201-05185	201-05186	201-05187		
	77-82	210	201-05189	201-05190	201-05191	201-07681	201-05192	201-05193	201-05194	201-05195	201-05196		
		216	201-05198	201-05199	201-05200	201-07682	201-05201	201-05202	201-05203	201-05204	201-05205		



**30A/1006 R**

The set consists of door grip and low grip under shutters, of ZnAl alloy plates, internal equipped with a mechanism assisting the movement of handle, covered with masking caps, M6 screws, 8 mm square spindle

PZ	TS	Mounting spacing K	Colour										
			9016	8019	9005	8077	F1	F2	F3	F4	F9		
PZ 72	67-72	210	201-05207	201-05208	201-05209	201-07683	201-05210	201-05211	201-05212	201-05213	201-05214		
		216	201-05215	201-05216	201-05217	201-07684	201-05218	201-05219	201-05220	201-05221	201-05222		
	77-82	210	201-05223	201-05224	201-05225	201-07685	201-05226	201-05227	201-05228	201-05229	201-05230		
		216	201-05231	201-05232	201-05233	201-07686	201-05234	201-05235	201-05236	201-05237	201-05238		
PZ 92	67-72	210	201-05239	201-05240	201-05241	201-07687	201-05242	201-05243	201-05244	201-05245	201-05246		
		216	201-05247	201-05248	201-05249	201-07688	201-05250	201-05251	201-05252	201-05253	201-05254		
	77-82	210	201-05255	201-05256	201-05257	201-07689	201-05258	201-05259	201-05260	201-05261	201-05262		
		216	201-05263	201-05264	201-05265	201-07690	201-05266	201-05267	201-05268	201-05269	201-05270		

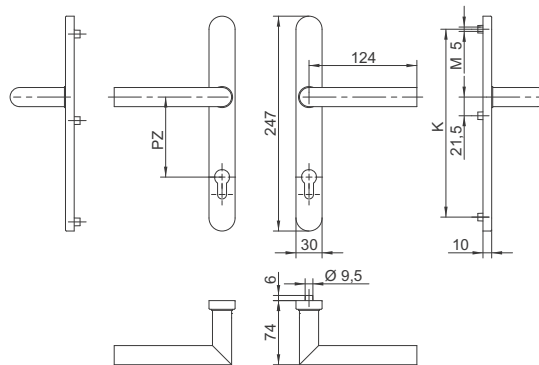


Handles for door of profiles - sets of plates with covered screws

**30A/1010**

Set of door holds with plates of ZnAl alloy, internal equipped with a mechanism assisting the movement of handle, covered with masking caps, M6 screws, 8 mm square spindle

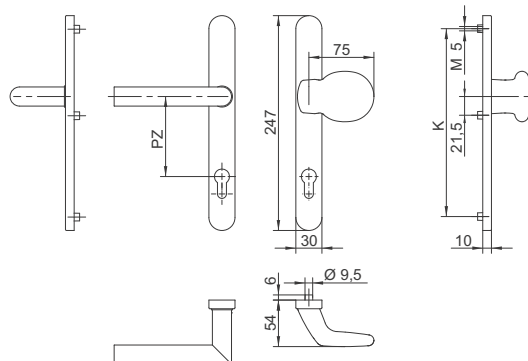
PZ	TS	Mounting spacing K	Colour											
			9016	8019	9005	8077	F1	F2	F3	F4	F9	ES		
PZ 72	67-72	210	201-04447	201-04448	201-04449	201-07691	201-04450	201-04451	201-04452	201-04453	201-04454	201-04455		
		216	201-04456	201-04457	201-04458	201-07692	201-04459	201-04460	201-04461	201-04462	201-04463	201-04464		
	77-82	210	201-04465	201-04466	201-04467	201-07693	201-04468	201-04469	201-04470	201-04471	201-04472	201-04473		
		216	201-04474	201-04475	201-04476	201-07694	201-04477	201-04478	201-04479	201-04480	201-04481	201-04482		
PZ 92	67-72	210	201-04483	201-04484	201-04485	201-07695	201-04486	201-04487	201-04488	201-04489	201-04490	201-04491		
		216	201-04492	201-04493	201-04494	201-07696	201-04495	201-04496	201-04497	201-04498	201-04499	201-04500		
	77-82	210	201-04501	201-04502	201-04503	201-07697	201-04504	201-04505	201-04506	201-04507	201-04508	201-04509		
		216	201-04510	201-04511	201-04512	201-07698	201-04513	201-04514	201-04515	201-04516	201-04517	201-04518		



**30A/1010 G1**

The set consists of door grip and type G1 fixed knob, of ZnAl alloy plates, internal equipped with a mechanism assisting the movement of handle, covered with masking caps, M6 screws, 8 mm square spindle

PZ	TS	Mounting spacing K	Colour											
			9016	8019	9005	8077	F1	F2	F3	F4	F9	ES		
PZ 72	67-72	210	201-04519	201-04520	201-04521	201-07699	201-04522	201-04523	201-04524	201-04525	201-04526	201-04527		
		216	201-04528	201-04529	201-04530	201-07700	201-04531	201-04532	201-04533	201-04534	201-04535	201-04536		
	77-82	210	201-04537	201-04538	201-04539	201-07701	201-04540	201-04541	201-04542	201-04543	201-04544	201-04545		
		216	201-04546	201-04547	201-04548	201-07702	201-04549	201-04550	201-04551	201-04552	201-04553	201-04554		
PZ 92	67-72	210	201-04555	201-04556	201-04557	201-07703	201-04558	201-04559	201-04560	201-04561	201-04562	201-04563		
		216	201-04564	201-04565	201-04566	201-07704	201-04567	201-04568	201-04569	201-04570	201-04571	201-04572		
	77-82	210	201-04573	201-04574	201-04575	201-07705	201-04576	201-04577	201-04578	201-04579	201-04580	201-04581		
		216	201-04582	201-04583	201-04584	201-07706	201-04585	201-04586	201-04587	201-04588	201-04589	201-04590		



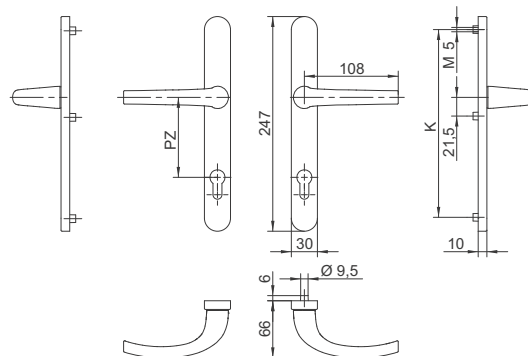


Handles for door of profiles - sets of plates with covered screws

**30A/1031**

Set of door holds with plates of ZnAl alloy, internal equipped with a mechanism assisting the movement of handle, covered with masking caps, M6 screws, 8 mm square spindle

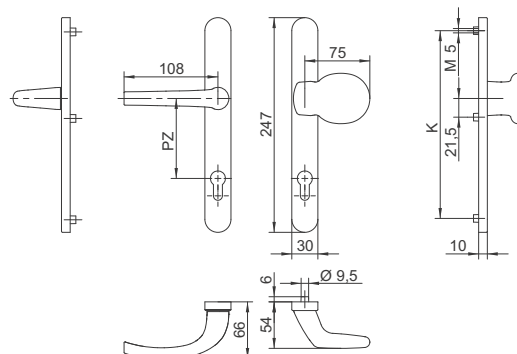
PZ	TS	Mounting spacing K	Colour										
			9016	8019	9005	8077	F1	F2	F3	F4	F9		
PZ 72	67-72	210	201-00753	201-00754	201-00755	201-07707	201-00756	201-00757	201-00758	201-00759	201-00760		
		216	201-00761	201-00762	201-00763	201-07708	201-00764	201-00765	201-00766	201-00767	201-00768		
	77-82	210	201-00769	201-00770	201-00771	201-07709	201-00772	201-00773	201-00774	201-00775	201-00776		
		216	201-00777	201-00778	201-00779	201-07710	201-00780	201-00781	201-00782	201-00783	201-00784		
PZ 92	67-72	210	201-00785	201-00786	201-00787	201-07711	201-00788	201-00789	201-00790	201-00791	201-00792		
		216	201-00793	201-00794	201-00795	201-07712	201-00796	201-00797	201-00798	201-00799	201-00800		
	77-82	210	201-00801	201-00802	201-00803	201-07713	201-00804	201-00805	201-00806	201-00807	201-00808		
		216	201-00809	201-00810	201-00811	201-07714	201-00812	201-00813	201-00814	201-00815	201-00816		



**30A/1031 G1**

The set consists of door grip and type G1 fixed knob, of ZnAl alloy plates, internal equipped with a mechanism assisting the movement of handle, covered with masking caps, M6 screws, 8 mm square spindle

PZ	TS	Mounting spacing K	Colour										
			9016	8019	9005	8077	F1	F2	F3	F4	F9		
PZ 72	67-72	210	201-00817	201-00818	201-00819	201-07715	201-00820	201-00821	201-00822	201-00823	201-00824		
		216	201-00825	201-00826	201-00827	201-07716	201-00828	201-00829	201-00830	201-00831	201-00832		
	77-82	210	201-00833	201-00834	201-00835	201-07717	201-00836	201-00837	201-00838	201-00839	201-00840		
		216	201-00841	201-00842	201-00843	201-07718	201-00844	201-00845	201-00846	201-00847	201-00848		
PZ 92	67-72	210	201-00849	201-00850	201-00851	201-07719	201-00852	201-00853	201-00854	201-00855	201-00856		
		216	201-00857	201-00858	201-00859	201-07720	201-00860	201-00861	201-00862	201-00863	201-00864		
	77-82	210	201-00865	201-00866	201-00867	201-07721	201-00868	201-00869	201-00870	201-00871	201-00872		
		216	201-00873	201-00874	201-00875	201-07722	201-00876	201-00877	201-00878	201-00879	201-00880		





## HANDLES FOR DOOR OF PROFILES

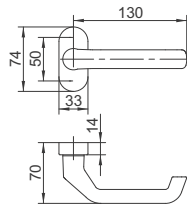
SECTIONAL DOOR HANDLES  
AND PLATES FOR LOCK CYLINDERS

6.2

**R32/1200**

Door grip with internal plate of ZnAl alloy, equipped with a mechanism assisting movement of the handle, protected with an oval masking cap

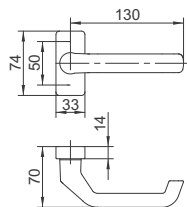
Colour										
9016	8019	9005	8077	F1	F2	F3	F4	F9	ES	
201-00881	201-00882	201-00883	201-06359	201-00884	201-00885	201-00886	201-00887	201-00888	201-00889	



**R32/1200 E**

Door grip with internal plate of ZnAl alloy, equipped with a mechanism assisting movement of the handle, protected with a rectangular masking cap

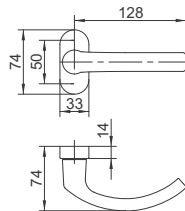
Colour										
9016	8019	9005	8077	F1	F2	F3	F4	F9		
201-00890	201-00891	201-00892	201-07723	201-00893	201-00894	201-00895	201-00896	201-00897		



**R32/2200**

Door grip with internal plate of ZnAl alloy, equipped with a mechanism assisting movement of the handle, protected with an oval masking cap

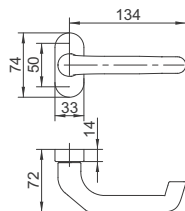
Colour										
9016	8019	9005	8077	F1	F2	F3	F4	F9		
201-02581	201-02582	201-02583	201-07724	201-02584	201-02585	201-02586	201-02587	201-02588		



**R32/1300**

Door grip with internal plate of ZnAl alloy, equipped with a mechanism assisting movement of the handle, protected with an oval masking cap

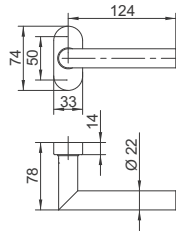
Colour										
9016	8019	9005	8077	F1	F2	F3	F4	F9	ES	
201-05271	201-05272	201-05273	201-07260	201-05274	201-05275	201-05276	201-05277	201-05278	201-05279	



**R32/1010**

Door grip with ZnAl alloy plate equipped with a mechanism facilitating the handle movement, covered with an oval masking cap

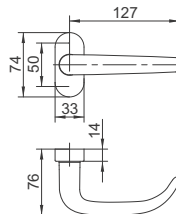
Colour										
9016	8019	8077	F1	F4	F9	ES				
201-07257	201-08173	201-08317	201-07178	201-07761	201-06583	201-05773				



**R32/1015**

Door grip with ZnAl alloy plate equipped with a mechanism facilitating the handle movement, covered with an oval masking cap

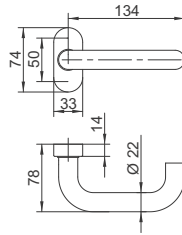
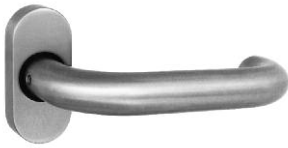
Colour										
9016	8019	8077	F1	F4	F9	ES				
201-08318	201-08319	201-08320	201-08321	201-08322	201-08323	201-08324				



**R32/1040**

Door grip with ZnAl alloy plate equipped with a mechanism facilitating the handle movement, covered with an oval masking cap

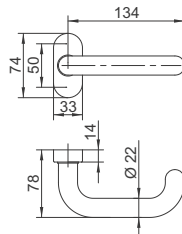
Colour									
9016	8019	8077	F1	F4	F9	ES			
201-06385	201-08325	201-08326	201-04602	201-08327	201-08309	201-07728			



**R32/1042**

Door grip with ZnAl alloy plate equipped with a mechanism facilitating the handle movement, covered with an oval masking cap

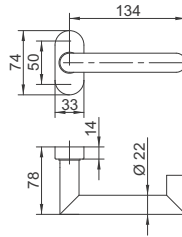
Colour									
9016	8019	8077	F1	F4	F9	ES			
201-08328	201-08329	201-08330	201-08331	201-08332	201-08333	201-08334			



**R32/1060**

Door grip with ZnAl alloy plate equipped with a mechanism facilitating the handle movement, covered with an oval masking cap

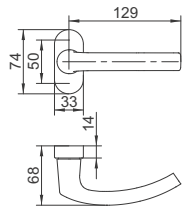
Colour										
9016	8019	8077	F1	F4	F9	ES				
201-08335	201-08336	201-08337	201-08338	201-08339	201-08340	201-08068				



**R32/2000**

Door grip with ZnAl alloy plate equipped with a mechanism facilitating the handle movement, covered with an oval masking cap

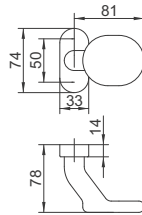
Colour										
9016	8019	8077	F1	F4	F9	ES				
201-02597	201-02598	201-06023	201-02600	201-02603	201-02604	201-02605				



R32/G3/S

G3 type fixed knob with a plate of ZnAl alloy, covered by an oval masking cap

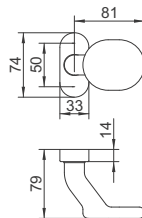
Colour										
9016	8019	9005	8077	F1	F2	F3	F4	F9	ES	
201-00917	201-00918	201-00919	201-07725	201-00920	201-00921	201-00922	201-00923	201-00924	201-06361	



R32/G3/O

G3 type rotating with a plate of ZnAl alloy, equipped with a mechanism assisting movement of the handle, protected with an oval masking cap

Colour										
9016	8019	9005	8077	F1	F2	F3	F4	F9	ES	
201-00933	201-00934	201-00935	201-06362	201-00936	201-00937	201-00938	201-00939	201-00940	201-06363	

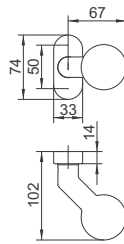
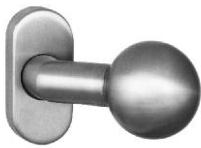




**R33/G4**

G4 fixed or rotary knob equipped with a mechanism facilitating the movement, with a ZnAl alloy plate, covered with an oval masking cap

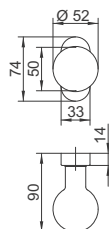
Knob	Knob function	Spindle	Colour											
			9016	8019	8077	F1	F4	F9	ES					
G4	Fixed		201-06193	201-05775	201-08157	201-05609	201-08341	201-06822	201-05404					
	Rotary	8 mm	201-07102	201-08342	201-08343	201-07743	201-07984	201-08344	201-07197					



**R32/G6**

G6 fixed or rotary knob equipped with a mechanism facilitating the movement, with a ZnAl alloy plate, covered with an oval masking cap

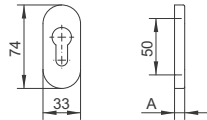
Knob	Knob function	Spindle	Colour											
			9016	8019	8077	F1	F4	F9	ES					
G6	Fixed		201-08345	201-08346	201-08347	201-08348	201-08349	201-08350	201-07323					
	Rotary	8 mm	201-08351	201-08352	201-08353	201-08354	201-08355	201-08356	201-08002					



**33 PZ**

Lock cylinder plate with a cap protecting against removing, made of ZnAl alloy with an oval masking cap

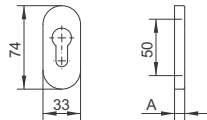
Thickness A	Colour										
	9016	8019	9005	8077	F1	F2	F3	F4	F9	ES	
6 mm	209-00001	209-00002	209-00003	209-00246	209-00004	209-00005	209-00006	209-00007	209-00008	209-00009	
9 mm	209-00012	209-00013	209-00014	209-00273	209-00015	209-00016	209-00017	209-00018	209-00019	209-00020	



**33 PZ-1**

Lock cylinder plate with a plastic insert with an oval masking cap

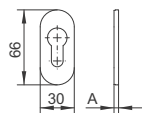
Thickness A	Colour										
	9016	8019	9005	8077	F1	F2	F3	F4	F9	ES	
6 mm	209-00062	209-00063	209-00064	209-00396	209-00065	209-00066	209-00067	209-00068	209-00069	209-00282	
9 mm	209-00070	209-00071	209-00072	209-00398	209-00073	209-00074	209-00075	209-00076	209-00077	209-00397	



**33 PZ-2**

Oval lock cylinder plate glued

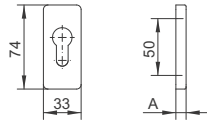
Thickness A	Colour										
	9016	8019	9005	8077	F1	F2	F3	F4	F9	ES	
2 mm	209-00293	209-00294	209-00295	209-00399	209-00296	209-00297	209-00298	209-00299	209-00300	-	
3 mm	209-00094	209-00095	209-00096	209-00359	209-00097	209-00098	209-00099	209-00100	209-00101	209-00424	



**33 PZ E**

Lock cylinder plate with a cap protecting against removing, made of ZnAl alloy with a rectangular masking cap

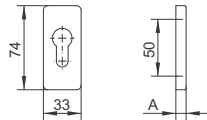
Thickness A	Colour									
	9016	8019	9005	8077	F1	F2	F3	F4	F9	
6 mm	209-00023	209-00024	209-00025	209-00400	209-00026	209-00027	209-00028	209-00029	209-00030	
9 mm	209-00034	209-00035	209-00036	209-00401	209-00037	209-00038	209-00039	209-00040	209-00041	



**33 PZ-1 E**

Lock cylinder plate with a plastic insert with a rectangular masking cap

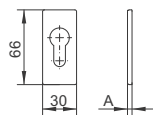
Thickness A	Colour									
	9016	8019	9005	8077	F1	F2	F3	F4	F9	
6 mm	209-00078	209-00079	209-00080	209-00402	209-00081	209-00082	209-00083	209-00084	209-00085	
9 mm	209-00086	209-00087	209-00088	209-00403	209-00089	209-00090	209-00091	209-00092	209-00093	



**33 PZ-2 E**

Rectangular lock cylinder plate glued

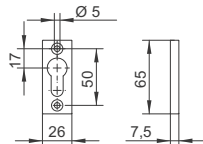
Thickness A	Colour									
	9016	8019	9005	8077	F1	F2	F3	F4	F9	
2 mm	209-00301	209-00302	209-00303	209-00404	209-00304	209-00305	209-00306	209-00307	209-00308	
3 mm	209-00102	209-00103	209-00104	209-00405	209-00105	209-00106	209-00107	209-00108	209-00109	



**26 PZ**

Lock cylinder plate extruded

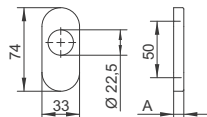
Colour										
9016	8019	9005	8077	F1	F2	F3	F4	F9		
209-00283	209-00284	209-00285	209-00406	209-00286	209-00287	209-00288	209-00289	209-00290		



**33 RZ**

Lock cylinder plate with a cap protecting against removing, made of ZnAl alloy with an aluminium oval masking cap with RZ opening

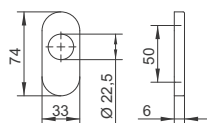
Thickness A	Colour										
	9016	8019	9005	8077	F1	F2	F3	F4	F9	ES	
6 mm	209-00172	209-00173	209-00174	209-00407	209-00175	209-00176	209-00177	209-00178	209-00179	209-00180	
9 mm	209-00183	209-00184	209-00185	209-00408	209-00186	209-00187	209-00188	209-00189	209-00190	209-00191	



**33 RZ-1**

Lock cylinder plate with a plastic insert with an oval masking cap with RZ opening

Thickness A	Colour										
	9016	8019	9005	8077	F1	F2	F3	F4	F9		
6 mm	209-00216	209-00217	209-00218	209-00409	209-00219	209-00220	209-00221	209-00222	209-00223		

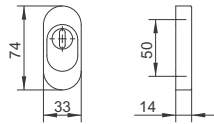


Handles for door of profiles - Lock cylinders plates with burglary protection

**33 ZA-1**

Lock cylinder plate with a cap protecting against removing, and lock cylinders burglary protection, made of ZnAl alloy with an oval masking cap

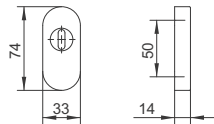
Colour										
9016	8019	9005	8077	F1	F2	F3	F4	F9	ES	
209-00045	209-00046	209-00047	209-00410	209-00048	209-00049	209-00050	209-00051	209-00052	209-00053	



**33 ZA-2**

Lock cylinder plate with a cap protecting against removing, and lock cylinders burglary protection, made of ZnAl alloy with an oval masking cap

Colour										
9016	8019	9005	8077	F1	F2	F3	F4	F9		
209-00054	209-00055	209-00056	209-00259	209-00057	209-00058	209-00059	209-00060	209-00061		





HANDLES FOR DOOR OF PROFILES

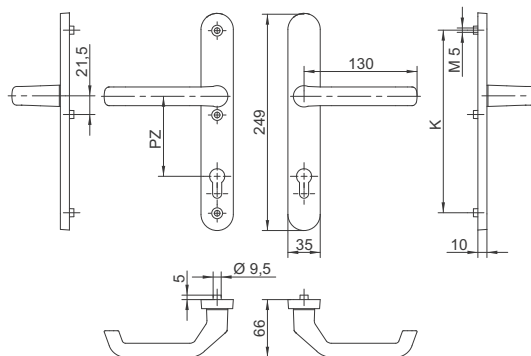
HANDLES FOR DOOR OF PROFILES

6.3

35/1200

Set of door grips and plates, featuring a one-sided mechanism facilitating movement of the handle, M5 screws, 8 mm square spindle

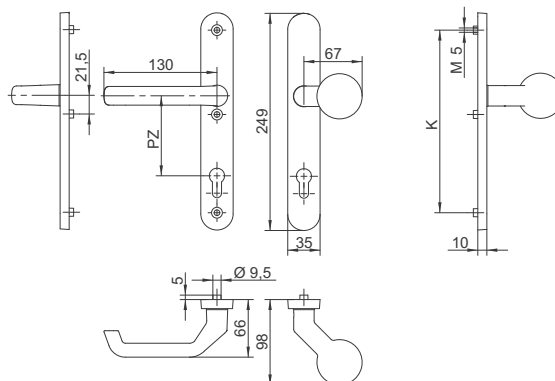
PZ	TS	Mounting spacing K	Colour									
			9016	8019	F1	F3	F4	F9				
PZ 72	67-72	210	203-00001	203-00002	203-00003	203-00004	203-00005	203-00006				
		216	203-00007	203-00008	203-00009	203-00010	203-00011	203-00012				
	77-82	210	203-00013	203-00014	203-00015	203-00016	203-00017	203-00018				
		216	203-00019	203-00020	203-00021	203-00022	203-00023	203-00024				
PZ 92	67-72	210	203-00025	203-00026	203-00027	203-00028	203-00029	203-00030				
		216	203-00031	203-00032	203-00033	203-00034	203-00035	203-00036				
	77-82	210	203-00037	203-00038	203-00039	203-00040	203-00041	203-00042				
		216	203-00043	203-00044	203-00045	203-00046	203-00047	203-00048				



35/1200 G4/O

Set consisting of a door grip, of the rotating knob G4 type (ball) and plates, featuring a one-sided mechanism facilitating movement of the handle, M5 screws, 8 mm square spindle

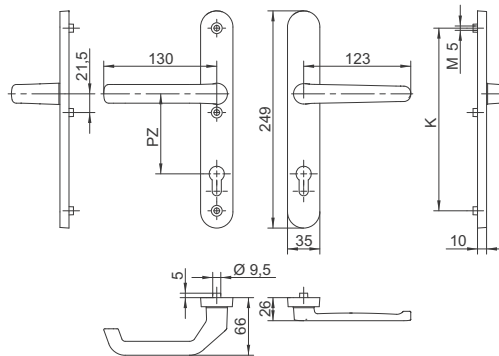
PZ	TS	Mounting spacing K	Colour									
			9016	8019	F1	F3	F4	F9				
PZ 72	67-72	210	203-00049	203-00050	203-00051	203-00052	203-00053	203-00054				
		216	203-00055	203-00056	203-00057	203-00058	203-00059	203-00060				
	77-82	210	203-00061	203-00062	203-00063	203-00064	203-00065	203-00066				
		216	203-00067	203-00068	203-00069	203-00070	203-00071	203-00072				
PZ 92	67-72	210	203-00073	203-00074	203-00075	203-00076	203-00077	203-00078				
		216	203-00079	203-00080	203-00081	203-00082	203-00083	203-00084				
	77-82	210	203-00085	203-00086	203-00087	203-00088	203-00089	203-00090				
		216	203-00091	203-00092	203-00093	203-00094	203-00095	203-00096				



**35/1200 R**

Set consisting of a door grip, of low grip under shutter and plates, featuring a one-sided mechanism facilitating movement of the handle, M5 screws, 8 mm square spindle

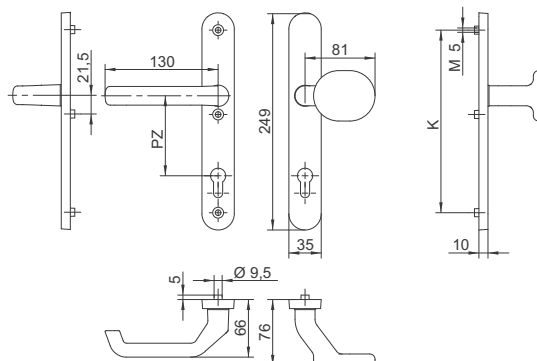
PZ	TS	Mounting spacing K	Colour									
			9016	8019	F1	F3	F4	F9				
PZ 72	67-72	210	203-00097	203-00098	203-00099	203-00100	203-00101	203-00102				
		216	203-00103	203-00104	203-00105	203-00106	203-00107	203-00108				
	77-82	210	203-00109	203-00110	203-00111	203-00112	203-00113	203-00114				
		216	203-00115	203-00116	203-00117	203-00118	203-00119	203-00120				
PZ 92	67-72	210	203-00121	203-00122	203-00123	203-00124	203-00125	203-00126				
		216	203-00127	203-00128	203-00129	203-00130	203-00131	203-00132				
	77-82	210	203-00133	203-00134	203-00135	203-00136	203-00137	203-00138				
		216	203-00139	203-00140	203-00141	203-00142	203-00143	203-00144				



**35/1200 G3/O**

Set consisting of a door grip, of the rotating knob G3 type and plates, featuring a one-sided mechanism facilitating movement of the handle, M5 screws, 8 mm square spindle

PZ	TS	Mounting spacing K	Colour									
			9016	8019	F1	F3	F4	F9				
PZ 72	67-72	210	203-00145	203-00146	203-00147	203-00148	203-00149	203-00150				
		216	203-00151	203-00152	203-00153	203-00154	203-00155	203-00156				
	77-82	210	203-00157	203-00158	203-00159	203-00160	203-00161	203-00162				
		216	203-00163	203-00164	203-00165	203-00166	203-00167	203-00168				
PZ 92	67-72	210	203-00169	203-00170	203-00171	203-00172	203-00173	203-00174				
		216	203-00175	203-00176	203-00177	203-00178	203-00179	203-00180				
	77-82	210	203-00181	203-00182	203-00183	203-00184	203-00185	203-00186				
		216	203-00187	203-00188	203-00189	203-00190	203-00191	203-00192				

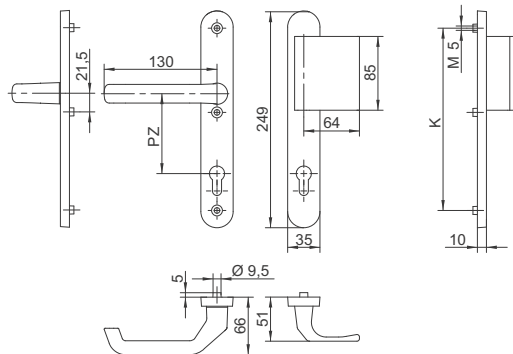




**35/1200 L1**

Set consisting of a door grip, of handrail L1 type and plates, featuring a one-sided mechanism facilitating movement of the handle, M5 screws, 8 mm square spindle

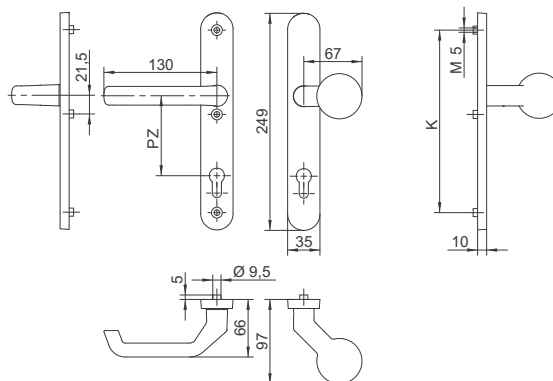
PZ	TS	Mounting spacing K	Colour									
			9016	8019	F1	F3	F4	F9				
PZ 72	67-72	210	203-00193	203-00194	203-00195	203-00196	203-00197	203-00198				
		216	203-00199	203-00200	203-00201	203-00202	203-00203	203-00204				
	77-82	210	203-00205	203-00206	203-00207	203-00208	203-00209	203-00210				
		216	203-00211	203-00212	203-00213	203-00214	203-00215	203-00216				
PZ 92	67-72	210	203-00217	203-00218	203-00219	203-00220	203-00221	203-00222				
		216	203-00223	203-00224	203-00225	203-00226	203-00227	203-00228				
	77-82	210	203-00229	203-00230	203-00231	203-00232	203-00233	203-00234				
		216	203-00235	203-00236	203-00237	203-00238	203-00239	203-00240				



**35/1200 G4/S**

Set consisting of a door grip, of fixed knob G4 type (ball) and plates, featuring a one-sided mechanism facilitating movement of the handle, M5 screws, 8 mm square spindle

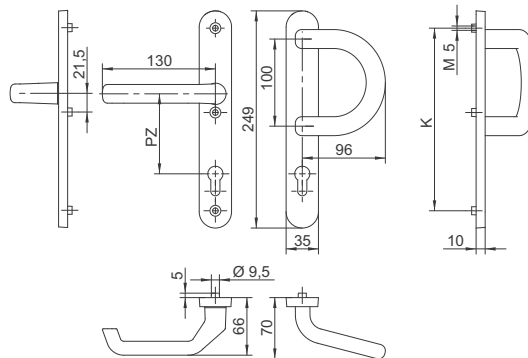
PZ	TS	Mounting spacing K	Colour									
			9016	8019	F1	F3	F4	F9				
PZ 72	67-72	210	203-01837	203-01838	203-01839	203-01840	203-01841	203-01842				
		216	203-01843	203-01844	203-01845	203-01846	203-01847	203-01848				
	77-82	210	203-01849	203-01850	203-01851	203-01852	203-01853	203-01854				
		216	203-01855	203-01856	203-01857	203-01858	203-01859	203-01860				
PZ 92	67-72	210	203-01861	203-01862	203-01863	203-01864	203-01865	203-01866				
		216	203-01867	203-01868	203-01869	203-01870	203-01871	203-01872				
	77-82	210	203-01873	203-01874	203-01875	203-01876	203-01877	203-01878				
		216	203-01879	203-01880	203-01881	203-01882	203-01883	203-01884				



**35/1200 P**

Set consisting of a door grip, of handrail P type and plates, featuring a one-sided mechanism facilitating movement of the handle, M5 screws, 8 mm square spindle

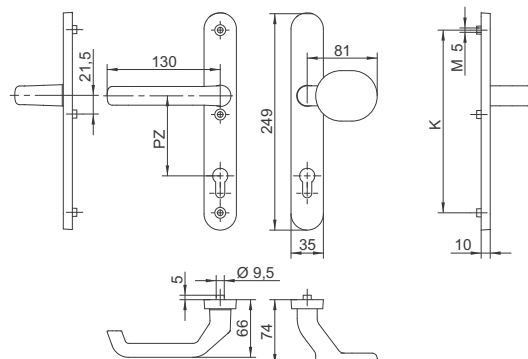
PZ	TS	Mounting spacing K	Colour									
			9016	8019	F1	F3	F4	F9				
PZ 72	67-72	210	203-00241	203-00242	203-00243	203-00244	203-00245	203-00246				
		216	203-00247	203-00248	203-00249	203-00250	203-00251	203-00252				
	77-82	210	203-00253	203-00254	203-00255	203-00256	203-00257	203-00258				
		216	203-00259	203-00260	203-00261	203-00262	203-00263	203-00264				
PZ 92	67-72	210	203-00265	203-00266	203-00267	203-00268	203-00269	203-00270				
		216	203-00271	203-00272	203-00273	203-00274	203-00275	203-00276				
	77-82	210	203-00277	203-00278	203-00279	203-00280	203-00281	203-00282				
		216	203-00283	203-00284	203-00285	203-00286	203-00287	203-00288				



**35/1200 G3/S**

Set consisting of a door grip, of fixed knob G3 type and plates, featuring a one-sided mechanism facilitating movement of the handle, M5 screws, 8 mm square spindle

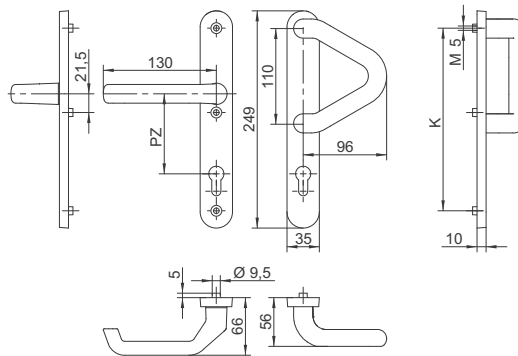
PZ	TS	Mounting spacing K	Colour									
			9016	8019	F1	F3	F4	F9				
PZ 72	67-72	210	203-01885	203-01886	203-01887	203-01888	203-01889	203-01890				
		216	203-01891	203-01892	203-01893	203-01894	203-01895	203-01896				
	77-82	210	203-01897	203-01898	203-01899	203-01900	203-01901	203-01902				
		216	203-01903	203-01904	203-01905	203-01906	203-01907	203-01908				
PZ 92	67-72	210	203-01909	203-01910	203-01911	203-01912	203-01913	203-01914				
		216	203-01915	203-01916	203-01917	203-01918	203-01919	203-01920				
	77-82	210	203-01921	203-01922	203-01923	203-01924	203-01925	203-01926				
		216	203-01927	203-01928	203-01929	203-01930	203-01931	203-01932				



**35/1200 V**

Set consisting of a door grip, of handrail V type and plates, featuring a one-sided mechanism facilitating movement of the handle, M5 screws, 8 mm square spindle

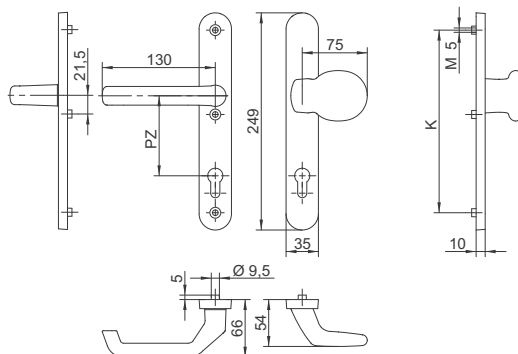
PZ	TS	Mounting spacing K	Colour									
			9016	8019	F1	F3	F4	F9				
PZ 72	67-72	210	203-00289	203-00290	203-00291	203-00292	203-00293	203-00294				
		216	203-00295	203-00296	203-00297	203-00298	203-00299	203-00300				
	77-82	210	203-00301	203-00302	203-00303	203-00304	203-00305	203-00306				
		216	203-00307	203-00308	203-00309	203-00310	203-00311	203-00312				
PZ 92	67-72	210	203-00313	203-00314	203-00315	203-00316	203-00317	203-00318				
		216	203-00319	203-00320	203-00321	203-00322	203-00323	203-00324				
	77-82	210	203-00325	203-00326	203-00327	203-00328	203-00329	203-00330				
		216	203-00331	203-00332	203-00333	203-00334	203-00335	203-00336				



**35/1200 G1**

Set consisting of a door grip, of fixed knob G1 type and plates, featuring a one-sided mechanism facilitating movement of the handle, M5 screws, 8 mm square spindle

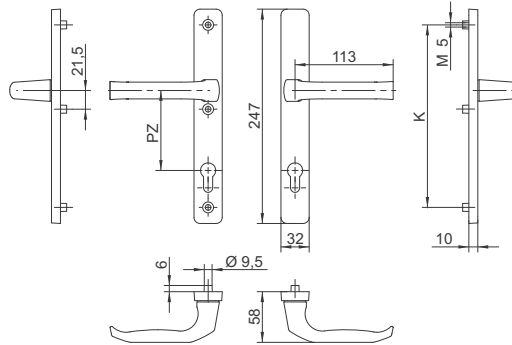
PZ	TS	Mounting spacing K	Colour									
			9016	8019	F1	F3	F4	F9				
PZ 72	67-72	210	203-00337	203-00338	203-00339	203-00340	203-00341	203-00342				
		216	203-00343	203-00344	203-00345	203-00346	203-00347	203-00348				
	77-82	210	203-00349	203-00350	203-00351	203-00352	203-00353	203-00354				
		216	203-00355	203-00356	203-00357	203-00358	203-00359	203-00360				
PZ 92	67-72	210	203-00361	203-00362	203-00363	203-00364	203-00365	203-00366				
		216	203-00367	203-00368	203-00369	203-00370	203-00371	203-00372				
	77-82	210	203-00373	203-00374	203-00375	203-00376	203-00377	203-00378				
		216	203-00379	203-00380	203-00381	203-00382	203-00383	203-00384				



32/1003

Set of door grips and plates, featuring a one-sided mechanism facilitating movement of the handle, M5 screws, 8 mm square spindle

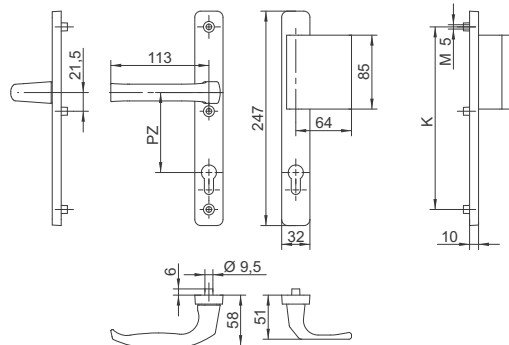
PZ	TS	Mounting spacing K	Colour									
			9016	8019	8077	F1	F3	F4	F9			
PZ 72	67-72	210	203-00385	203-00386	203-04250	203-00387	203-00388	203-00389	203-00390			
		216	203-01957	203-01958	203-04251	203-01959	203-01960	203-01961	203-01962			
	77-82	210	203-00391	203-00392	203-04252	203-00393	203-00394	203-00395	203-00396			
		216	203-01963	203-01964	203-04253	203-01965	203-01966	203-01967	203-01968			
PZ 85	67-72	210	203-00397	203-00398	203-04254	203-00399	203-00400	203-00401	203-00402			
		216	203-01969	203-01970	203-04255	203-01971	203-01972	203-01973	203-01974			
	77-82	210	203-00403	203-00404	203-04256	203-00405	203-00406	203-00407	203-00408			
		216	203-01975	203-01976	203-04257	203-01977	203-01978	203-01979	203-01980			
PZ 92	67-72	210	203-00409	203-00410	203-04258	203-00411	203-00412	203-00413	203-00414			
		216	203-01981	203-01982	203-04259	203-01983	203-01984	203-01985	203-01986			
	77-82	210	203-00415	203-00416	203-04260	203-00417	203-00418	203-00419	203-00420			
		216	203-01987	203-01988	203-04261	203-01989	203-01990	203-01991	203-01992			



32/1003 L1

Set consisting of a door grip, of handrail L1 type and plates, featuring a one-sided mechanism facilitating movement of the handle, M5 screws, 8 mm square spindle

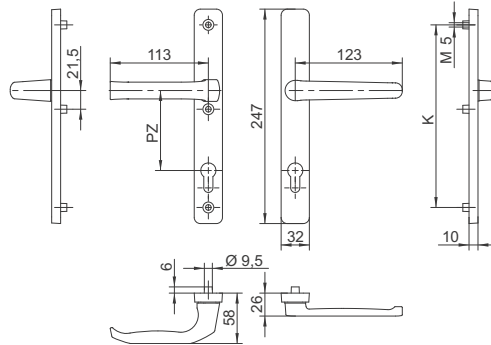
PZ	TS	Mounting spacing K	Colour									
			9016	8019	8077	F1	F3	F4	F9			
PZ 72	67-72	210	203-00709	203-00710	203-04262	203-00711	203-00712	203-00713	203-00714			
		216	203-01993	203-01994	203-04263	203-01995	203-01996	203-01997	203-01998			
	77-82	210	203-00715	203-00716	203-04264	203-00717	203-00718	203-00719	203-00720			
		216	203-01999	203-02000	203-04265	203-02001	203-02002	203-02003	203-02004			
PZ 85	67-72	210	203-00721	203-00722	203-04266	203-00723	203-00724	203-00725	203-00726			
		216	203-02005	203-02006	203-04267	203-02007	203-02008	203-02009	203-02010			
	77-82	210	203-00727	203-00728	203-04268	203-00729	203-00730	203-00731	203-00732			
		216	203-02011	203-02012	203-04269	203-02013	203-02014	203-02015	203-02016			
PZ 92	67-72	210	203-00733	203-00734	203-04270	203-00735	203-00736	203-00737	203-00738			
		216	203-02017	203-02018	203-04271	203-02019	203-02020	203-02021	203-02022			
	77-82	210	203-00739	203-00740	203-04272	203-00741	203-00742	203-00743	203-00744			
		216	203-02023	203-02024	203-04273	203-02025	203-02026	203-02027	203-02028			



32/1003 R

Set consisting of a door grip, of low grip under shutter and plates, featuring a one-sided mechanism facilitating movement of the handle, M5 screws, 8 mm square spindle

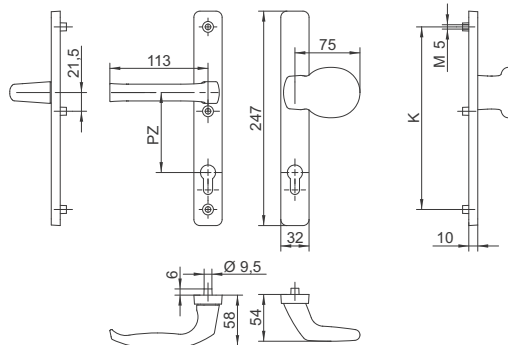
PZ	TS	Mounting spacing K	Colour									
			9016	8019	8077	F1	F3	F4	F9			
PZ 72	67-72	210	203-00421	203-00422	203-04274	203-00423	203-00424	203-00425	203-00426			
		216	203-02029	203-02030	203-04275	203-02031	203-02032	203-02033	203-02034			
	77-82	210	203-00427	203-00428	203-04276	203-00429	203-00430	203-00431	203-00432			
		216	203-02035	203-02036	203-04277	203-02037	203-02038	203-02039	203-02040			
PZ 85	67-72	210	203-00433	203-00434	203-04278	203-00435	203-00436	203-00437	203-00438			
		216	203-02041	203-02042	203-04279	203-02043	203-02044	203-02045	203-02046			
	77-82	210	203-00439	203-00440	203-04280	203-00441	203-00442	203-00443	203-00444			
		216	203-02047	203-02048	203-04281	203-02049	203-02050	203-02051	203-02052			
PZ 92	67-72	210	203-00445	203-00446	203-04282	203-00447	203-00448	203-00449	203-00450			
		216	203-02053	203-02054	203-04283	203-02055	203-02056	203-02057	203-02058			
	77-82	210	203-00451	203-00452	203-04284	203-00453	203-00454	203-00455	203-00456			
		216	203-02059	203-02060	203-04285	203-02061	203-02062	203-02063	203-02064			



32/1003 G1

Set consisting of a door grip, of fixed knob G1 type and plates, featuring a one-sided mechanism facilitating movement of the handle, M5 screws, 8 mm square spindle

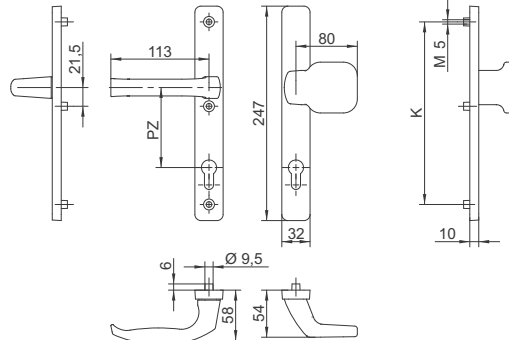
PZ	TS	Mounting spacing K	Colour									
			9016	8019	8077	F1	F3	F4	F9			
PZ 72	67-72	210	203-00457	203-00458	203-04286	203-00459	203-00460	203-00461	203-00462			
		216	203-02065	203-02066	203-04287	203-02067	203-02068	203-02069	203-02070			
	77-82	210	203-00463	203-00464	203-04288	203-00465	203-00466	203-00467	203-00468			
		216	203-02071	203-02072	203-04289	203-02073	203-02074	203-02075	203-02076			
PZ 85	67-72	210	203-00469	203-00470	203-04290	203-00471	203-00472	203-00473	203-00474			
		216	203-02077	203-02078	203-04291	203-02079	203-02080	203-02081	203-02082			
	77-82	210	203-00475	203-00476	203-04292	203-00477	203-00478	203-00479	203-00480			
		216	203-02083	203-02084	203-04293	203-02085	203-02086	203-02087	203-02088			
PZ 92	67-72	210	203-00481	203-00482	203-04294	203-00483	203-00484	203-00485	203-00486			
		216	203-02089	203-02090	203-04295	203-02091	203-02092	203-02093	203-02094			
	77-82	210	203-00487	203-00488	203-04296	203-00489	203-00490	203-00491	203-00492			
		216	203-02095	203-02096	203-04297	203-02097	203-02098	203-02099	203-02100			



32/1003 G2

Set consisting of a door grip, of fixed knob G2 type and plates, featuring a one-sided mechanism facilitating movement of the handle, M5 screws, 8 mm square spindle

PZ	TS	Mounting spacing K	Colour									
			9016	8019	8077	F1	F3	F4	F9			
PZ 72	67-72	210	203-00493	203-00494	203-04298	203-00495	203-00496	203-00497	203-00498			
		216	203-02101	203-02102	203-04299	203-02103	203-02104	203-02105	203-02106			
	77-82	210	203-00499	203-00500	203-04300	203-00501	203-00502	203-00503	203-00504			
		216	203-02107	203-02108	203-04301	203-02109	203-02110	203-02111	203-02112			
PZ 85	67-72	210	203-00505	203-00506	203-04302	203-00507	203-00508	203-00509	203-00510			
		216	203-02113	203-02114	203-04303	203-02115	203-02116	203-02117	203-02118			
	77-82	210	203-00511	203-00512	203-04304	203-00513	203-00514	203-00515	203-00516			
		216	203-02119	203-02120	203-04305	203-02121	203-02122	203-02123	203-02124			
PZ 92	67-72	210	203-00517	203-00518	203-04306	203-00519	203-00520	203-00521	203-00522			
		216	203-02125	203-02126	203-04307	203-02127	203-02128	203-02129	203-02130			
	77-82	210	203-00523	203-00524	203-04308	203-00525	203-00526	203-00527	203-00528			
		216	203-02131	203-02132	203-04309	203-02133	203-02134	203-02135	203-02136			

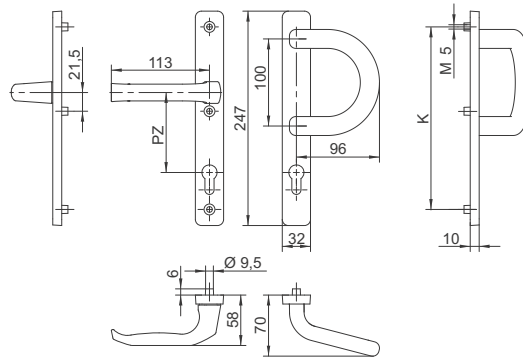
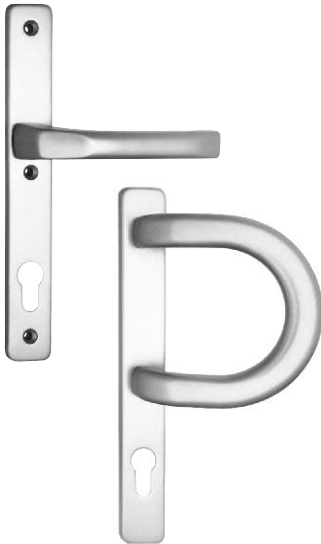




**32/1003 P**

Set consisting of a door grip, of handrail P type and plates, featuring a one-sided mechanism facilitating movement of the handle, M5 screws, 8 mm square spindle

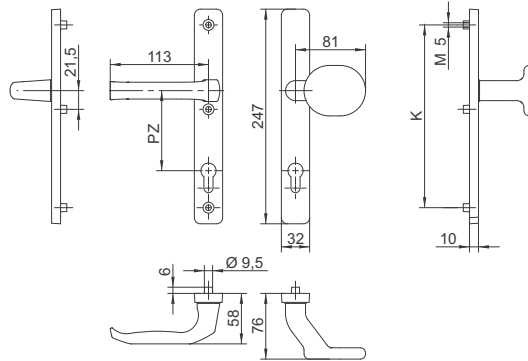
PZ	TS	Mounting spacing K	Colour									
			9016	8019	8077	F1	F3	F4	F9			
PZ 72	67-72	210	203-00673	203-00674	203-04310	203-00675	203-00676	203-00677	203-00678			
		216	203-02137	203-02138	203-04311	203-02139	203-02140	203-02141	203-02142			
	77-82	210	203-00679	203-00680	203-04312	203-00681	203-00682	203-00683	203-00684			
		216	203-02143	203-02144	203-04313	203-02145	203-02146	203-02147	203-02148			
PZ 85	67-72	210	203-00685	203-00686	203-04314	203-00687	203-00688	203-00689	203-00690			
		216	203-02149	203-02150	203-04315	203-02151	203-02152	203-02153	203-02154			
	77-82	210	203-00691	203-00692	203-04316	203-00693	203-00694	203-00695	203-00696			
		216	203-02155	203-02156	203-04317	203-02157	203-02158	203-02159	203-02160			
PZ 92	67-72	210	203-00697	203-00698	203-04318	203-00699	203-00700	203-00701	203-00702			
		216	203-02161	203-02162	203-04319	203-02163	203-02164	203-02165	203-02166			
	77-82	210	203-00703	203-00704	203-04320	203-00705	203-00706	203-00707	203-00708			
		216	203-02167	203-02168	203-04321	203-02169	203-02170	203-02171	203-02172			



**32/1003 G3/O**  
**32/1003 G3/S**

Set consisting of a door grip, of a rotating or fixed knob G3 type and plates, featuring a one-sided mechanism facilitating movement of the handle, M5 screws, 8 mm square spindle

PZ	PZ	Mounting spacing K	Colour 32/1003 G3/O							Colour 32/1003 G3/S						
			9016	8019	8077	F1	F3	F4	F9	9016	8019	8077	F1	F3	F4	F9
PZ 72	67-72	210	203-00565	203-00566	203-04322	203-00567	203-00568	203-00569	203-00570	203-00529	203-00530	203-04334	203-00531	203-00532	203-00533	203-00534
		216	203-02209	203-02210	203-04323	203-02211	203-02212	203-02213	203-02214	203-02173	203-02174	203-04335	203-02175	203-02176	203-02177	203-02178
	77-82	210	203-00571	203-00572	203-04324	203-00573	203-00574	203-00575	203-00576	203-00535	203-00536	203-04336	203-00537	203-00538	203-00539	203-00540
		216	203-02215	203-02216	203-04325	203-02217	203-02218	203-02219	203-02220	203-02179	203-02180	203-04337	203-02181	203-02182	203-02183	203-02184
PZ 85	67-72	210	203-00577	203-00578	203-04326	203-00579	203-00580	203-00581	203-00582	203-00541	203-00542	203-04338	203-00543	203-00544	203-00545	203-00546
		216	203-02221	203-02222	203-04327	203-02223	203-02224	203-02225	203-02226	203-02185	203-02186	203-04339	203-02187	203-02188	203-02189	203-02190
	77-82	210	203-00583	203-00584	203-04328	203-00585	203-00586	203-00587	203-00588	203-00547	203-00548	203-04340	203-00549	203-00550	203-00551	203-00552
		216	203-02227	203-02228	203-04329	203-02229	203-02230	203-02231	203-02232	203-02191	203-02192	203-04341	203-02193	203-02194	203-02195	203-02196
PZ 82	67-72	210	203-00589	203-00590	203-04330	203-00591	203-00592	203-00593	203-00594	203-00553	203-00554	203-04342	203-00555	203-00556	203-00557	203-00558
		216	203-02233	203-02234	203-04331	203-02235	203-02236	203-02237	203-02238	203-02197	203-02198	203-04343	203-02199	203-02200	203-02201	203-02202
	77-82	210	203-00595	203-00596	203-04332	203-00597	203-00598	203-00599	203-00600	203-00559	203-00560	203-04344	203-00561	203-00562	203-00563	203-00564
		216	203-02239	203-02240	203-04333	203-02241	203-02242	203-02243	203-02244	203-02203	203-02204	203-04345	203-02205	203-02206	203-02207	203-02208

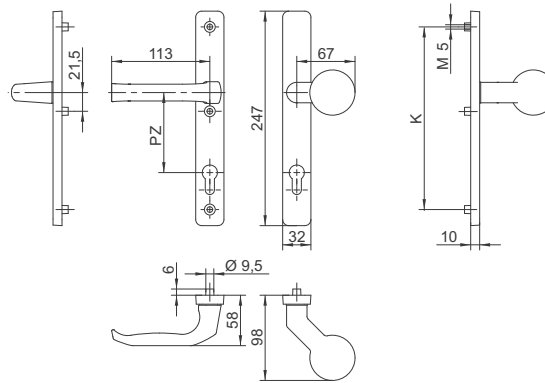
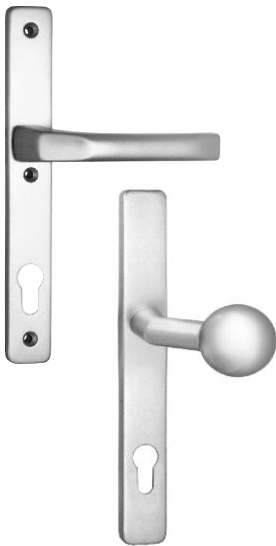


Handles for doorof profiles - Sets of cast plates

**32/1003 G4/O**  
**32/1003 G4/S**

Set consisting of a door grip, of a rotating or fixed knob G4 (ball) type and plates, featuring a one-sided mechanism facilitating movement of the handle, M5 screws, 8 mm square spindle

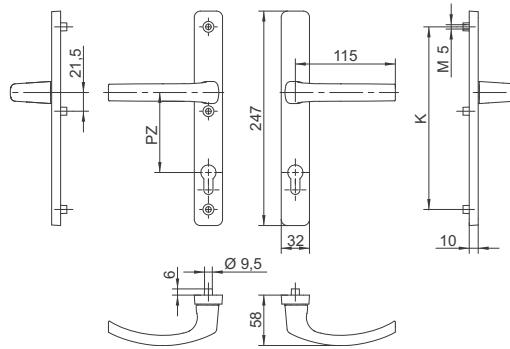
PZ	PZ	Mounting spacing K	Colour 32/1003 G4/O							Colour 32/1003 G4/S						
			9016	8019	8077	F1	F3	F4	F9	9016	8019	8077	F1	F3	F4	F9
PZ 72	67-72	210	203-00637	203-00638	203-04346	203-00639	203-00640	203-00641	203-00642	203-00601	203-00602	203-04358	203-00603	203-00604	203-00605	203-00606
		216	203-02281	203-02282	203-04347	203-02283	203-02284	203-02285	203-02286	203-02245	203-02246	203-04359	203-02247	203-02248	203-02249	203-02250
	77-82	210	203-00643	203-00644	203-04348	203-00645	203-00646	203-00647	203-00648	203-00607	203-00608	203-04360	203-00609	203-00610	203-00611	203-00612
		216	203-02287	203-02288	203-04349	203-02289	203-02290	203-02291	203-02292	203-02251	203-02252	203-04361	203-02253	203-02254	203-02255	203-02256
PZ 85	67-72	210	203-00649	203-00650	203-04350	203-00651	203-00652	203-00653	203-00654	203-00613	203-00614	203-04362	203-00615	203-00616	203-00617	203-00618
		216	203-02293	203-02294	203-04351	203-02295	203-02296	203-02297	203-02298	203-02257	203-02258	203-04363	203-02259	203-02260	203-02261	203-02262
	77-82	210	203-00655	203-00656	203-04352	203-00657	203-00658	203-00659	203-00660	203-00619	203-00620	203-04364	203-00621	203-00622	203-00623	203-00624
		216	203-02299	203-02300	203-04353	203-02301	203-02302	203-02303	203-02304	203-02263	203-02264	203-04365	203-02265	203-02266	203-02267	203-02268
PZ 82	67-72	210	203-00661	203-00662	203-04354	203-00663	203-00664	203-00665	203-00666	203-00625	203-00626	203-04366	203-00627	203-00628	203-00629	203-00630
		216	203-02305	203-02306	203-04355	203-02307	203-02308	203-02309	203-02310	203-02269	203-02270	203-04367	203-02271	203-02272	203-02273	203-02274
	77-82	210	203-00667	203-00668	203-04356	203-00669	203-00670	203-00671	203-00672	203-00631	203-00632	203-04368	203-00633	203-00634	203-00635	203-00636
		216	203-02311	203-02312	203-04357	203-02313	203-02314	203-02315	203-02316	203-02275	203-02276	203-04369	203-02277	203-02278	203-02279	203-02280



32/1005

Set of door grips and plates, featuring a one-sided mechanism facilitating movement of the handle, M5 screws, 8 mm square spindle

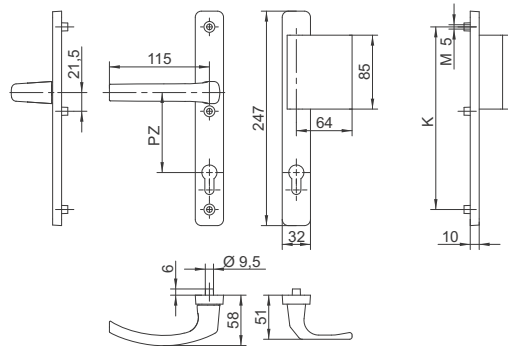
PZ	TS	Mounting spacing K	Colour									
			9016	8019	8077	F1	F3	F4	F9			
PZ 72	67-72	210	203-00745	203-00746	203-04370	203-00747	203-00748	203-00749	203-00750			
		216	203-02317	203-02318	203-04371	203-02319	203-02320	203-02321	203-02322			
	77-82	210	203-00751	203-00752	203-04372	203-00753	203-00754	203-00755	203-00756			
		216	203-02323	203-02324	203-04373	203-02325	203-02326	203-02327	203-02328			
PZ 85	67-72	210	203-00757	203-00758	203-04374	203-00759	203-00760	203-00761	203-00762			
		216	203-02329	203-02330	203-04375	203-02331	203-02332	203-02333	203-02334			
	77-82	210	203-00763	203-00764	203-04376	203-00765	203-00766	203-00767	203-00768			
		216	203-02335	203-02336	203-04377	203-02337	203-02338	203-02339	203-02340			
PZ 92	67-72	210	203-00769	203-00770	203-04378	203-00771	203-00772	203-00773	203-00774			
		216	203-02341	203-02342	203-04379	203-02343	203-02344	203-02345	203-02346			
	77-82	210	203-00775	203-00776	203-04380	203-00777	203-00778	203-00779	203-00780			
		216	203-02347	203-02348	203-04381	203-02349	203-02350	203-02351	203-02352			



32/1005 L1

Set consisting of a door grip, of handrail L1 type and plates, featuring a one-sided mechanism facilitating movement of the handle, M5 screws, 8 mm square spindle

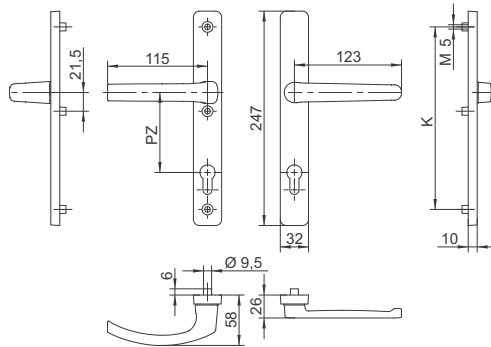
PZ	TS	Mounting spacing K	Colour									
			9016	8019	8077	F1	F3	F4	F9			
PZ 72	67-72	210	203-00853	203-00854	203-04406	203-00855	203-00856	203-00857	203-00858			
		216	203-02353	203-02354	203-04407	203-02355	203-02356	203-02357	203-02358			
	77-82	210	203-00859	203-00860	203-04408	203-00861	203-00862	203-00863	203-00864			
		216	203-02359	203-02360	203-04409	203-02361	203-02362	203-02363	203-02364			
PZ 85	67-72	210	203-00865	203-00866	203-04410	203-00867	203-00868	203-00869	203-00870			
		216	203-02365	203-02366	203-04411	203-02367	203-02368	203-02369	203-02370			
	77-82	210	203-00871	203-00872	203-04412	203-00873	203-00874	203-00875	203-00876			
		216	203-02371	203-02372	203-04413	203-02373	203-02374	203-02375	203-02376			
PZ 92	67-72	210	203-00877	203-00878	203-04414	203-00879	203-00880	203-00881	203-00882			
		216	203-02377	203-02378	203-04415	203-02379	203-02380	203-02381	203-02382			
	77-82	210	203-00883	203-00884	203-04416	203-00885	203-00886	203-00887	203-00888			
		216	203-02383	203-02384	203-04417	203-02385	203-02386	203-02387	203-02388			



32/1005 R

Set consisting of a door grip, of low grip under shutter and plates, featuring a one-sided mechanism facilitating movement of the handle, M5 screws, 8 mm square spindle

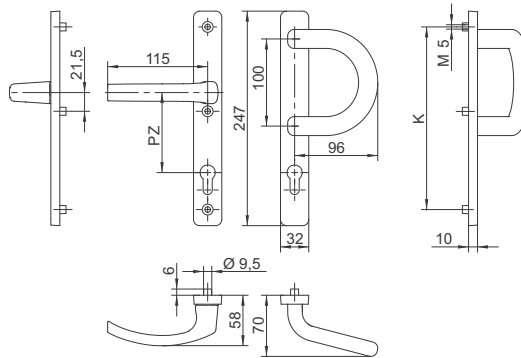
PZ	TS	Mounting spacing K	Colour									
			9016	8019	8077	F1	F3	F4	F9			
PZ 72	67-72	210	203-00781	203-00782	203-04382	203-00783	203-00784	203-00785	203-00786			
		216	203-02389	203-02390	203-04383	203-02391	203-02392	203-02393	203-02394			
	77-82	210	203-00787	203-00788	203-04384	203-00789	203-00790	203-00791	203-00792			
		216	203-02395	203-02396	203-04385	203-02397	203-02398	203-02399	203-02400			
PZ 85	67-72	210	203-00793	203-00794	203-04386	203-00795	203-00796	203-00797	203-00798			
		216	203-02401	203-02402	203-04387	203-02403	203-02404	203-02405	203-02406			
	77-82	210	203-00799	203-00800	203-04388	203-00801	203-00802	203-00803	203-00804			
		216	203-02407	203-02408	203-04389	203-02409	203-02410	203-02411	203-02412			
PZ 92	67-72	210	203-00805	203-00806	203-04390	203-00807	203-00808	203-00809	203-00810			
		216	203-02413	203-02414	203-04391	203-02415	203-02416	203-02417	203-02418			
	77-82	210	203-00811	203-00812	203-04392	203-00813	203-00814	203-00815	203-00816			
		216	203-02419	203-02420	203-04393	203-02421	203-02422	203-02423	203-02424			



**32/1005 P**

Set consisting of a door grip, of handrail P type and plates, featuring a one-sided mechanism facilitating movement of the handle, M5 screws, 8 mm square spindle

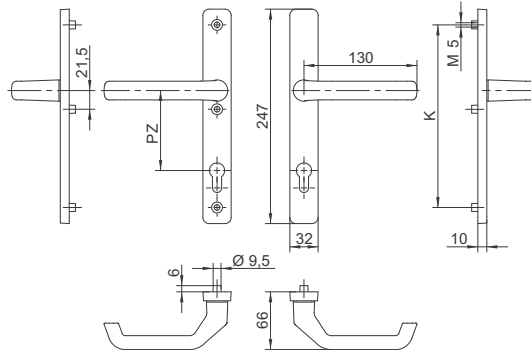
PZ	TS	Mounting spacing K	Colour									
			9016	8019	8077	F1	F3	F4	F9			
PZ 72	67-72	210	203-00817	203-00818	203-04394	203-00819	203-00820	203-00821	203-00822			
		216	203-02425	203-02426	203-04395	203-02427	203-02428	203-02429	203-02430			
	77-82	210	203-00823	203-00824	203-04396	203-00825	203-00826	203-00827	203-00828			
		216	203-02431	203-02432	203-04397	203-02433	203-02434	203-02435	203-02436			
PZ 85	67-72	210	203-00829	203-00830	203-04398	203-00831	203-00832	203-00833	203-00834			
		216	203-02437	203-02438	203-04399	203-02439	203-02440	203-02441	203-02442			
	77-82	210	203-00835	203-00836	203-04400	203-00837	203-00838	203-00839	203-00840			
		216	203-02443	203-02444	203-04401	203-02445	203-02446	203-02447	203-02448			
PZ 92	67-72	210	203-00841	203-00842	203-04402	203-00843	203-00844	203-00845	203-00846			
		216	203-02449	203-02450	203-04403	203-02451	203-02452	203-02453	203-02454			
	77-82	210	203-00847	203-00848	203-04404	203-00849	203-00850	203-00851	203-00852			
		216	203-02455	203-02456	203-04405	203-02457	203-02458	203-02459	203-02460			



32/1200

Set of door grips and plates, featuring a one-sided mechanism facilitating movement of the handle, M5 screws, 8 mm square spindle

PZ	TS	Mounting spacing K	Colour									
			9016	8019	8077	F1	F3	F4	F9			
PZ 72	67-72	210	203-00889	203-00890	203-04418	203-00891	203-00892	203-00893	203-00894			
		216	203-02461	203-02462	203-04419	203-02463	203-02464	203-02465	203-02466			
	77-82	210	203-00895	203-00896	203-04420	203-00897	203-00898	203-00899	203-00900			
		216	203-02467	203-02468	203-04421	203-02469	203-02470	203-02471	203-02472			
PZ 85	67-72	210	203-00901	203-00902	203-04422	203-00903	203-00904	203-00905	203-00906			
		216	203-02473	203-02474	203-04423	203-02475	203-02476	203-02477	203-02478			
	77-82	210	203-00907	203-00908	203-04424	203-00909	203-00910	203-00911	203-00912			
		216	203-02479	203-02480	203-04425	203-02481	203-02482	203-02483	203-02484			
PZ 92	67-72	210	203-00913	203-00914	203-04426	203-00915	203-00916	203-00917	203-00918			
		216	203-02485	203-02486	203-04427	203-02487	203-02488	203-02489	203-02490			
	77-82	210	203-00919	203-00920	203-04428	203-00921	203-00922	203-00923	203-00924			
		216	203-02491	203-02492	203-04429	203-02493	203-02494	203-02495	203-02496			

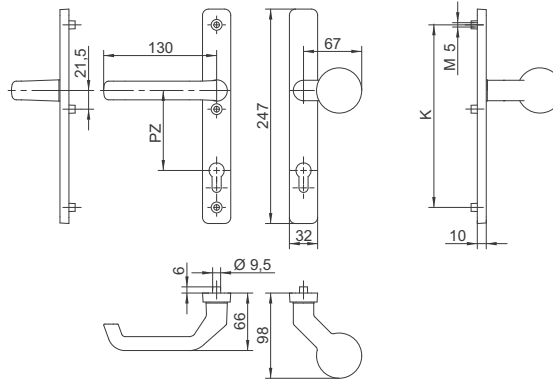
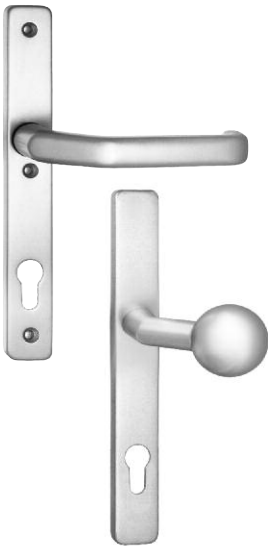




**32/1200 G4/O**  
**32/1200 G4/S**

Set consisting of a door grip, of a rotating or fixed knob G4 (ball) type and plates, featuring a one-sided mechanism facilitating movement of the handle, M5 screws, 8 mm square spindle

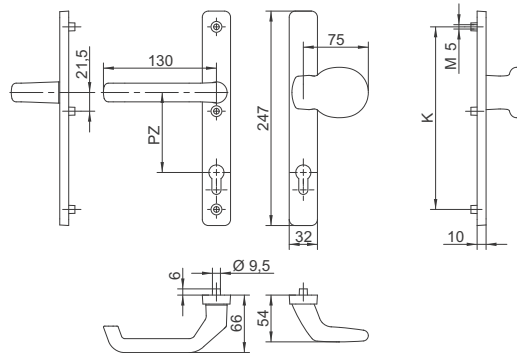
PZ	PZ	Mounting spacing K	Colour 32/1003 G4/O							Colour 32/1003 G4/S						
			9016	8019	8077	F1	F3	F4	F9	9016	8019	8077	F1	F3	F4	F9
PZ 72	67-72	210	203-00961	203-00962	203-04442	203-00963	203-00964	203-00965	203-00966	203-00925	203-00926	203-04430	203-00927	203-00928	203-00929	203-00930
		216	203-02497	203-02498	203-04443	203-02499	203-02500	203-02501	203-02502	203-02533	203-02534	203-04431	203-02535	203-02536	203-02537	203-02538
	77-82	210	203-00967	203-00968	203-04444	203-00969	203-00970	203-00971	203-00972	203-00931	203-00932	203-04432	203-00933	203-00934	203-00935	203-00936
		216	203-02503	203-02504	203-04445	203-02505	203-02506	203-02507	203-02508	203-02539	203-02540	203-04433	203-02541	203-02542	203-02543	203-02544
PZ 85	67-72	210	203-00973	203-00974	203-04446	203-00975	203-00976	203-00977	203-00978	203-00937	203-00938	203-04434	203-00939	203-00940	203-00941	203-00942
		216	203-02509	203-02510	203-04447	203-02511	203-02512	203-02513	203-02514	203-02545	203-02546	203-04435	203-02547	203-02548	203-02549	203-02550
	77-82	210	203-00979	203-00980	203-04448	203-00981	203-00982	203-00983	203-00984	203-00943	203-00944	203-04436	203-00945	203-00946	203-00947	203-00948
		216	203-02515	203-02516	203-04449	203-02517	203-02518	203-02519	203-02520	203-02551	203-02552	203-04437	203-02553	203-02554	203-02555	203-02556
PZ 82	67-72	210	203-00985	203-00986	203-04450	203-00987	203-00988	203-00989	203-00990	203-00949	203-00950	203-04438	203-00951	203-00952	203-00953	203-00954
		216	203-02521	203-02522	203-04451	203-02523	203-02524	203-02525	203-02526	203-02557	203-02558	203-04439	203-02559	203-02560	203-02561	203-02562
	77-82	210	203-00991	203-00992	203-04452	203-00993	203-00994	203-00995	203-00996	203-00955	203-00956	203-04440	203-00957	203-00958	203-00959	203-00960
		216	203-02527	203-02528	203-04453	203-02529	203-02530	203-02531	203-02532	203-02563	203-02564	203-04441	203-02565	203-02566	203-02567	203-02568



32/1200 G1

Set consisting of a door grip, of fixed knob G1 type and plates, featuring a one-sided mechanism facilitating movement of the handle, M5 screws, 8 mm square spindle

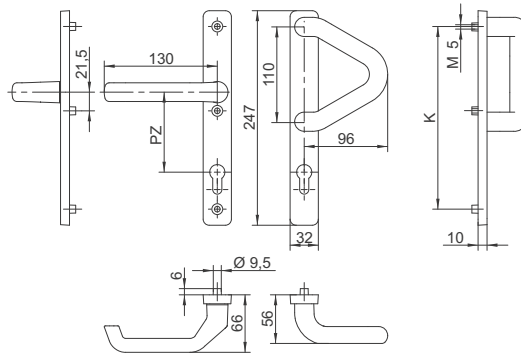
PZ	TS	Mounting spacing K	Colour									
			9016	8019	8077	F1	F3	F4	F9			
PZ 72	67-72	210	203-00997	203-00998	203-04454	203-00999	203-01000	203-01001	203-01002			
		216	203-02569	203-02570	203-04455	203-02571	203-02572	203-02573	203-02574			
	77-82	210	203-01003	203-01004	203-04456	203-01005	203-01006	203-01007	203-01008			
		216	203-02575	203-02576	203-04457	203-02577	203-02578	203-02579	203-02580			
PZ 85	67-72	210	203-01009	203-01010	203-04458	203-01011	203-01012	203-01013	203-01014			
		216	203-02581	203-02582	203-04459	203-02583	203-02584	203-02585	203-02586			
	77-82	210	203-01015	203-01016	203-04460	203-01017	203-01018	203-01019	203-01020			
		216	203-02587	203-02588	203-04461	203-02589	203-02590	203-02591	203-02592			
PZ 92	67-72	210	203-01021	203-01022	203-04462	203-01023	203-01024	203-01025	203-01026			
		216	203-02593	203-02594	203-04463	203-02595	203-02596	203-02597	203-02598			
	77-82	210	203-01027	203-01028	203-04464	203-01029	203-01030	203-01031	203-01032			
		216	203-02599	203-02600	203-04465	203-02601	203-02602	203-02603	203-02604			



32/1200 V

Set consisting of a door grip, of handrail V type and plates, featuring a one-sided mechanism facilitating movement of the handle, M5 screws, 8 mm square spindle

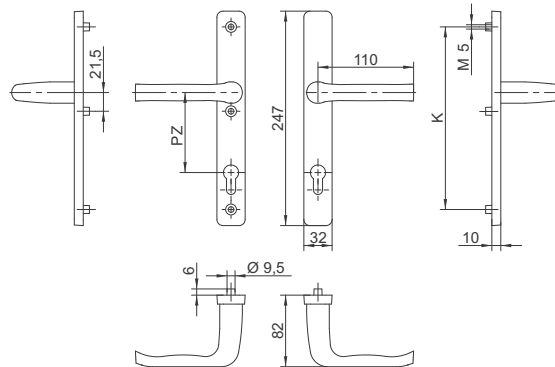
PZ	TS	Mounting spacing K	Colour									
			9016	8019	8077	F1	F3	F4	F9			
PZ 72	67-72	210	203-01033	203-01034	203-04466	203-01035	203-01036	203-01037	203-01038			
		216	203-02605	203-02606	203-04467	203-02607	203-02608	203-02609	203-02610			
	77-82	210	203-01039	203-01040	203-04468	203-01041	203-01042	203-01043	203-01044			
		216	203-02611	203-02612	203-04469	203-02613	203-02614	203-02615	203-02616			
PZ 85	67-72	210	203-01045	203-01046	203-04470	203-01047	203-01048	203-01049	203-01050			
		216	203-02617	203-02618	203-04471	203-02619	203-02620	203-02621	203-02622			
	77-82	210	203-01051	203-01052	203-04472	203-01053	203-01054	203-01055	203-01056			
		216	203-02623	203-02624	203-04473	203-02625	203-02626	203-02627	203-02628			
PZ 92	67-72	210	203-01057	203-01058	203-04474	203-01059	203-01060	203-01061	203-01062			
		216	203-02629	203-02630	203-04475	203-02631	203-02632	203-02633	203-02634			
	77-82	210	203-01063	203-01064	203-04476	203-01065	203-01066	203-01067	203-01068			
		216	203-02635	203-02636	203-04477	203-02637	203-02638	203-02639	203-02640			



32/1012 W

Set of high door grips and plates, featuring a one-sided mechanism facilitating movement of the handle, M5 screws, 8 mm square spindle

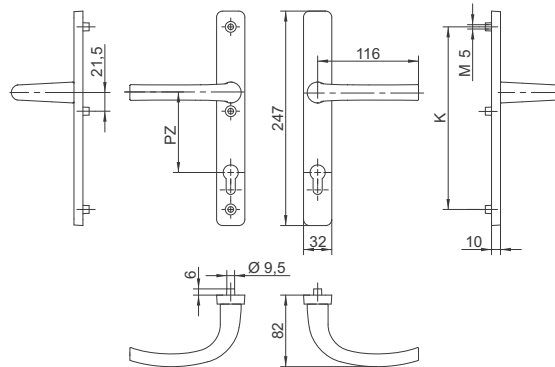
PZ	TS	Mounting spacing K	Colour									
			9016	8019	8077	F1	F3	F4	F9			
PZ 72	67-72	210	203-01069	203-01070	203-04478	203-01071	203-01072	203-01073	203-01074			
		216	203-02641	203-02642	203-04479	203-02643	203-02644	203-02645	203-02646			
	77-82	210	203-01075	203-01076	203-04480	203-01077	203-01078	203-01079	203-01080			
		216	203-02647	203-02648	203-04481	203-02649	203-02650	203-02651	203-02652			
PZ 85	67-72	210	203-01081	203-01082	203-04482	203-01083	203-01084	203-01085	203-01086			
		216	203-02653	203-02654	203-04483	203-02655	203-02656	203-02657	203-02658			
	77-82	210	203-01087	203-01088	203-04484	203-01089	203-01090	203-01091	203-01092			
		216	203-02659	203-02660	203-04485	203-02661	203-02662	203-02663	203-02664			
PZ 92	67-72	210	203-01093	203-01094	203-04486	203-01095	203-01096	203-01097	203-01098			
		216	203-02665	203-02666	203-04487	203-02667	203-02668	203-02669	203-02670			
	77-82	210	203-01099	203-01100	203-04488	203-01101	203-01102	203-01103	203-01104			
		216	203-02671	203-02672	203-04489	203-02673	203-02674	203-02675	203-02676			



32/1031 W

Set of high door grips and plates, featuring a one-sided mechanism facilitating movement of the handle, M5 screws, 8 mm square spindle

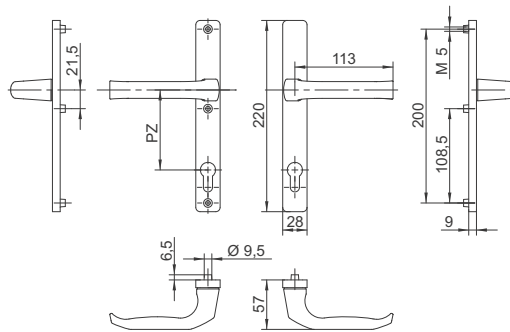
PZ	TS	Mounting spacing K	Colour									
			9016	8019	8077	F1	F3	F4	F9			
PZ 72	67-72	210	203-01105	203-01106	203-04490	203-01107	203-01108	203-01109	203-01110			
		216	203-02677	203-02678	203-04491	203-02679	203-02680	203-02681	203-02682			
	77-82	210	203-01111	203-01112	203-04492	203-01113	203-01114	203-01115	203-01116			
		216	203-02683	203-02684	203-04493	203-02685	203-02686	203-02687	203-02688			
PZ 85	67-72	210	203-01117	203-01118	203-04494	203-01119	203-01120	203-01121	203-01122			
		216	203-02689	203-02690	203-04495	203-02691	203-02692	203-02693	203-02694			
	77-82	210	203-01123	203-01124	203-04496	203-01125	203-01126	203-01127	203-01128			
		216	203-02695	203-02696	203-04497	203-02697	203-02698	203-02699	203-02700			
PZ 92	67-72	210	203-01129	203-01130	203-04498	203-01131	203-01132	203-01133	203-01134			
		216	203-02701	203-02702	203-04499	203-02703	203-02704	203-02705	203-02706			
	77-82	210	203-01135	203-01136	203-04500	203-01137	203-01138	203-01139	203-01140			
		216	203-02707	203-02708	203-04501	203-02709	203-02710	203-02711	203-02712			



**28/1003**

Set of high door grips and plates, featuring a one-sided mechanism facilitating movement of the handle, M5 screws, 8 mm square spindle

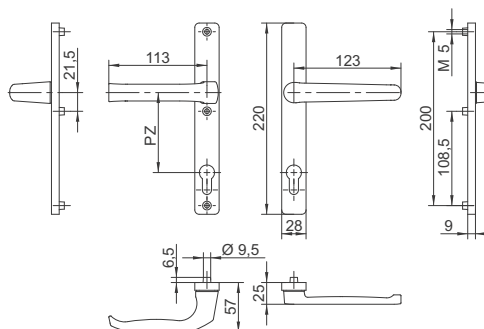
PZ	TS	Colour								
		9016	8019	8077	F1	F3	F4	F9		
PZ 72	67-72	203-01153	203-01154	203-04502	203-01155	203-01156	203-01157	203-01158		
	77-82	203-01159	203-01160	203-04503	203-01161	203-01162	203-01163	203-01164		
PZ 92	67-72	203-01165	203-01166	203-04504	203-01167	203-01168	203-01169	203-01170		
	77-82	203-01171	203-01172	203-04505	203-01173	203-01174	203-01175	203-01176		



**28/1003 R**

Set consisting of a door grip, of low grip under shutter and plates, featuring a one-sided mechanism facilitating movement of the handle, M5 screws, 8 mm square spindle

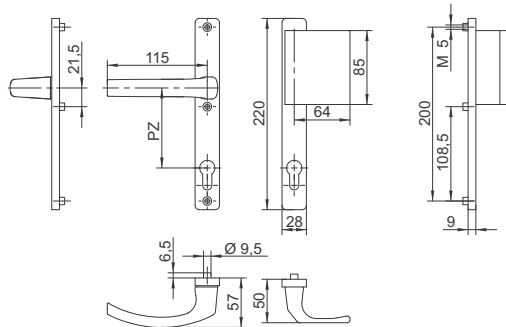
PZ	TS	Colour								
		9016	8019	8077	F1	F3	F4	F9		
PZ 72	67-72	203-01189	203-01190	203-04506	203-01191	203-01192	203-01193	203-01194		
	77-82	203-01195	203-01196	203-04507	203-01197	203-01198	203-01199	203-01200		
PZ 92	67-72	203-01201	203-01202	203-04508	203-01203	203-01204	203-01205	203-01206		
	77-82	203-01207	203-01208	203-04509	203-01209	203-01210	203-01211	203-01212		



**28/1005 L1**

Set consisting of a door grip, of handrail L1 type and plates, featuring a one-sided mechanism facilitating movement of the handle, M5 screws, 8 mm square spindle

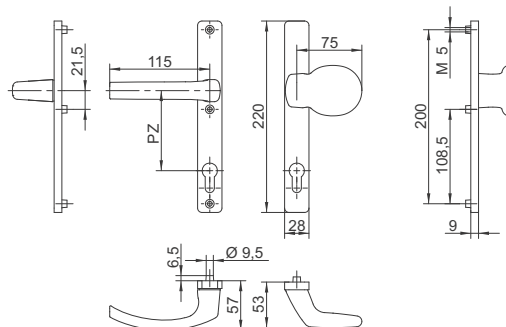
PZ	TS	Colour								
		9016	8019	8077	F1	F3	F4	F9		
PZ 72	67-72	203-01225	203-01226	203-04510	203-01227	203-01228	203-01229	203-01230		
	77-82	203-01231	203-01232	203-04511	203-01233	203-01234	203-01235	203-01236		
PZ 92	67-72	203-01237	203-01238	203-04512	203-01239	203-01240	203-01241	203-01242		
	77-82	203-01243	203-01244	203-04513	203-01245	203-01246	203-01247	203-01248		



**28/1005 G1**

Set consisting of a door grip, of fixed knob G1 type and plates, featuring a one-sided mechanism facilitating movement of the handle, M5 screws, 8 mm square spindle

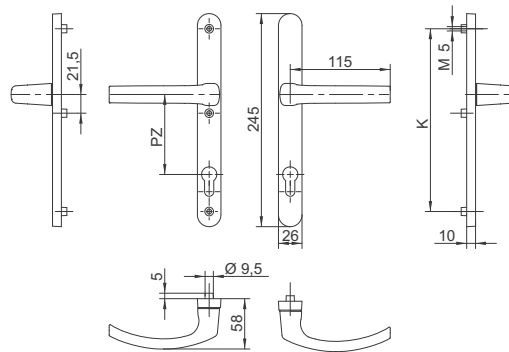
PZ	TS	Colour								
		9016	8019	8077	F1	F3	F4	F9		
PZ 72	67-72	203-01261	203-01262	203-04514	203-01263	203-01264	203-01265	203-01266		
	77-82	203-01267	203-01268	203-04515	203-01269	203-01270	203-01271	203-01272		
PZ 92	67-72	203-01273	203-01274	203-04516	203-01275	203-01276	203-01277	203-01278		
	77-82	203-01279	203-01280	203-04517	203-01281	203-01282	203-01283	203-01284		



**26/1005**

Set of door grips and plates, featuring a one-sided mechanism facilitating movement of the handle, M5 screws, 8 mm square spindle

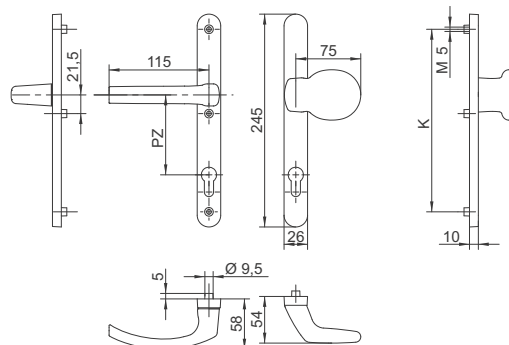
PZ	TS	Mounting spacing K	Colour								
			9016	8019	8077	F1	F3	F4	F9		
PZ 72	67-72	210	203-02713	203-02714	203-04518	203-02715	203-02716	203-02717	203-02718		
		216	203-02719	203-02720	203-04519	203-02721	203-02722	203-02723	203-02724		
	77-82	210	203-02725	203-02726	203-04520	203-02727	203-02728	203-02729	203-02730		
		216	203-02731	203-02732	203-04521	203-02733	203-02734	203-02735	203-02736		
PZ 92	67-72	210	203-02737	203-02738	203-04522	203-02739	203-02740	203-02741	203-02742		
		216	203-02743	203-02744	203-04523	203-02745	203-02746	203-02747	203-02748		
	77-82	210	203-02749	203-02750	203-04524	203-02751	203-02752	203-02753	203-02754		
		216	203-02755	203-02756	203-04525	203-02757	203-02758	203-02759	203-02760		



**26/1005 G1**

Set consisting of a door grip, of fixed knob G1 type and plates, featuring a one-sided mechanism facilitating movement of the handle, M5 screws, 8 mm square spindle

PZ	TS	Mounting spacing K	Colour								
			9016	8019	8077	F1	F3	F4	F9		
PZ 72	67-72	210	203-02761	203-02762	203-04526	203-02763	203-02764	203-02765	203-02766		
		216	203-02767	203-02768	203-04527	203-02769	203-02770	203-02771	203-02772		
	77-82	210	203-02773	203-02774	203-04528	203-02775	203-02776	203-02777	203-02778		
		216	203-02779	203-02780	203-04529	203-02781	203-02782	203-02783	203-02784		
PZ 92	67-72	210	203-02785	203-02786	203-04530	203-02787	203-02788	203-02789	203-02790		
		216	203-02791	203-02792	203-04531	203-02793	203-02794	203-02795	203-02796		
	77-82	210	203-02797	203-02798	203-04532	203-02799	203-02800	203-02801	203-02802		
		216	203-02803	203-02804	203-04533	203-02805	203-02806	203-02807	203-02808		

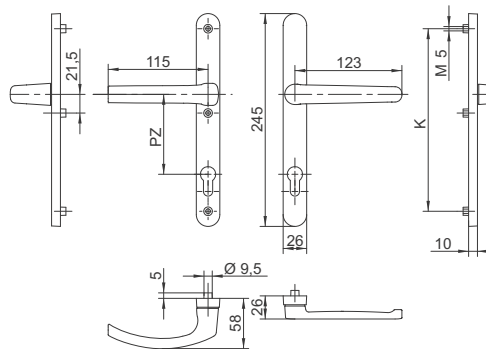




**26/1005 R**

Set consisting of a door grip, of low grip under shutter and plates, featuring a one-sided mechanism facilitating movement of the handle, M5 screws, 8 mm square spindle

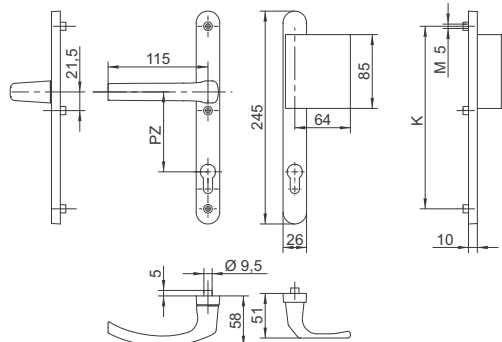
PZ	TS	Mounting spacing K	Colour								
			9016	8019	8077	F1	F3	F4	F9		
PZ 72	67-72	210	203-02809	203-02810	203-04534	203-02811	203-02812	203-02813	203-02814		
		216	203-02815	203-02816	203-04535	203-02817	203-02818	203-02819	203-02820		
	77-82	210	203-02821	203-02822	203-04536	203-02823	203-02824	203-02825	203-02826		
		216	203-02827	203-02828	203-04537	203-02829	203-02830	203-02831	203-02832		
PZ 92	67-72	210	203-02833	203-02834	203-04538	203-02835	203-02836	203-02837	203-02838		
		216	203-02839	203-02840	203-04539	203-02841	203-02842	203-02843	203-02844		
	77-82	210	203-02845	203-02846	203-04540	203-02847	203-02848	203-02849	203-02850		
		216	203-02851	203-02852	203-04541	203-02853	203-02854	203-02855	203-02856		



**26/1005 L1**

Set consisting of a door grip, of handrail L1 type and plates, featuring a one-sided mechanism facilitating movement of the handle, M5 screws, 8 mm square spindle

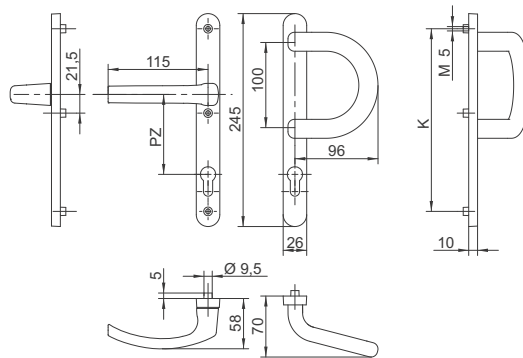
PZ	TS	Mounting spacing K	Colour								
			9016	8019	8077	F1	F3	F4	F9		
PZ 72	67-72	210	203-02857	203-02858	203-04542	203-02859	203-02860	203-02861	203-02862		
		216	203-02863	203-02864	203-04543	203-02865	203-02866	203-02867	203-02868		
	77-82	210	203-02869	203-02870	203-04544	203-02871	203-02872	203-02873	203-02874		
		216	203-02875	203-02876	203-04545	203-02877	203-02878	203-02879	203-02880		
PZ 92	67-72	210	203-02881	203-02882	203-04546	203-02883	203-02884	203-02885	203-02886		
		216	203-02887	203-02888	203-04547	203-02889	203-02890	203-02891	203-02892		
	77-82	210	203-02893	203-02894	203-04548	203-02895	203-02896	203-02897	203-02898		
		216	203-02899	203-02900	203-04549	203-02901	203-02902	203-02903	203-02904		



**26/1005 P**

Set consisting of a door grip, of handrail P type and plates, featuring a one-sided mechanism facilitating movement of the handle, M5 screws, 8 mm square spindle

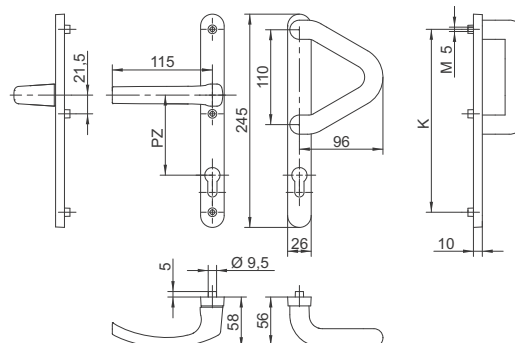
PZ	TS	Mounting spacing K	Colour								
			9016	8019	8077	F1	F3	F4	F9		
PZ 72	67-72	210	203-02905	203-02906	203-04550	203-02907	203-02908	203-02909	203-02910		
		216	203-02911	203-02912	203-04551	203-02913	203-02914	203-02915	203-02916		
	77-82	210	203-02917	203-02918	203-04552	203-02919	203-02920	203-02921	203-02922		
		216	203-02923	203-02924	203-04553	203-02925	203-02926	203-02927	203-02928		
PZ 92	67-72	210	203-02929	203-02930	203-04554	203-02931	203-02932	203-02933	203-02934		
		216	203-02935	203-02936	203-04555	203-02937	203-02938	203-02939	203-02940		
	77-82	210	203-02941	203-02942	203-04556	203-02943	203-02944	203-02945	203-02946		
		216	203-02947	203-02948	203-04557	203-02949	203-02950	203-02951	203-02952		



**26/1005 V**

Set consisting of a door grip, of handrail V type and plates, featuring a one-sided mechanism facilitating movement of the handle, M5 screws, 8 mm square spindle

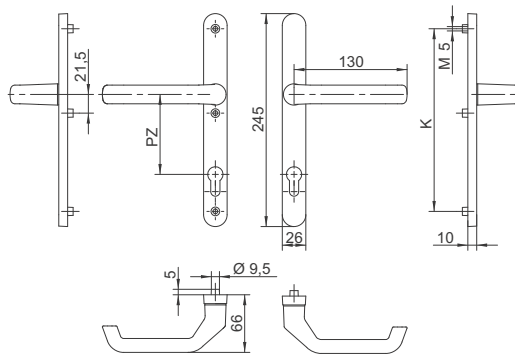
PZ	TS	Mounting spacing K	Colour								
			9016	8019	8077	F1	F3	F4	F9		
PZ 72	67-72	210	203-01477	203-01478	203-04558	203-01479	203-01480	203-01481	203-01482		
		216	203-01483	203-01484	203-04559	203-01485	203-01486	203-01487	203-01488		
	77-82	210	203-01489	203-01490	203-04560	203-01491	203-01492	203-01493	203-01494		
		216	203-01495	203-01496	203-04561	203-01497	203-01498	203-01499	203-01500		
PZ 92	67-72	210	203-01501	203-01502	203-04562	203-01503	203-01504	203-01505	203-01506		
		216	203-01507	203-01508	203-04563	203-01509	203-01510	203-01511	203-01512		
	77-82	210	203-01513	203-01514	203-04564	203-01515	203-01516	203-01517	203-01518		
		216	203-01519	203-01520	203-04565	203-01521	203-01522	203-01523	203-01524		



26/1200

Set of door grips and plates, featuring a one-sided mechanism facilitating movement of the handle, M5 screws, 8 mm square spindle

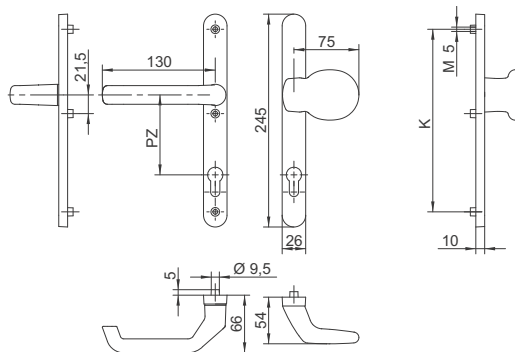
PZ	TS	Mounting spacing K	Colour								
			9016	8019	8077	F1	F3	F4	F9		
PZ 72	67-72	210	203-02953	203-02954	203-04590	203-02955	203-02956	203-02957	203-02958		
		216	203-02959	203-02960	203-04591	203-02961	203-02962	203-02963	203-02964		
	77-82	210	203-02965	203-02966	203-04592	203-02967	203-02968	203-02969	203-02970		
		216	203-02971	203-02972	203-04593	203-02973	203-02974	203-02975	203-02976		
PZ 92	67-72	210	203-02977	203-02978	203-04594	203-02979	203-02980	203-02981	203-02982		
		216	203-02983	203-02984	203-04595	203-02985	203-02986	203-02987	203-02988		
	77-82	210	203-02989	203-02990	203-04596	203-02991	203-02992	203-02993	203-02994		
		216	203-02995	203-02996	203-04597	203-02997	203-02998	203-02999	203-03000		



26/1200 G1

Set consisting of a door grip, of fixed knob G1 type and plates, featuring a one-sided mechanism facilitating movement of the handle, M5 screws, 8 mm square spindle

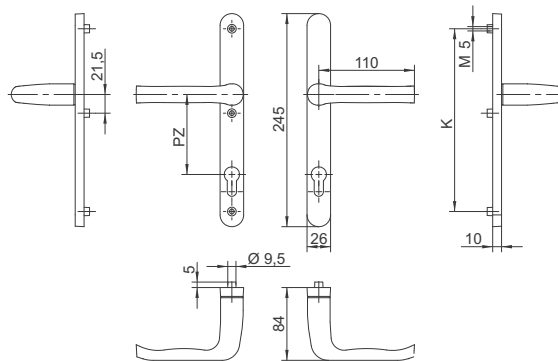
PZ	TS	Mounting spacing K	Colour								
			9016	8019	8077	F1	F3	F4	F9		
PZ 72	67-72	210	203-01525	203-01526	203-04566	203-01527	203-01528	203-01529	203-01530		
		216	203-01531	203-01532	203-04567	203-01533	203-01534	203-01535	203-01536		
	77-82	210	203-01537	203-01538	203-04568	203-01539	203-01540	203-01541	203-01542		
		216	203-01543	203-01544	203-04569	203-01545	203-01546	203-01547	203-01548		
PZ 92	67-72	210	203-01549	203-01550	203-04570	203-01551	203-01552	203-01553	203-01554		
		216	203-01555	203-01556	203-04571	203-01557	203-01558	203-01559	203-01560		
	77-82	210	203-01561	203-01562	203-04572	203-01563	203-01564	203-01565	203-01566		
		216	203-01567	203-01568	203-04573	203-01569	203-01570	203-01571	203-01572		



**26/1012 W**

Set of high door grips and plates, featuring a one-sided mechanism facilitating movement of the handle, M5 screws, 8 mm square spindle

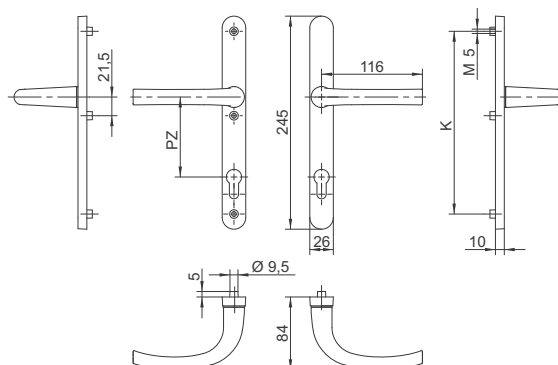
PZ	TS	Mounting spacing K	Colour								
			9016	8019	8077	F1	F3	F4	F9		
PZ 72	67-72	210	203-01573	203-01574	203-04574	203-01575	203-01576	203-01577	203-01578		
		216	203-01579	203-01580	203-04575	203-01581	203-01582	203-01583	203-01584		
	77-82	210	203-01585	203-01586	203-04576	203-01587	203-01588	203-01589	203-01590		
		216	203-01591	203-01592	203-04577	203-01593	203-01594	203-01595	203-01596		
PZ 92	67-72	210	203-01597	203-01598	203-04578	203-01599	203-01600	203-01601	203-01602		
		216	203-01603	203-01604	203-04579	203-01605	203-01606	203-01607	203-01608		
	77-82	210	203-01609	203-01610	203-04580	203-01611	203-01612	203-01613	203-01614		
		216	203-01615	203-01616	203-04581	203-01617	203-01618	203-01619	203-01620		



**26/1031 W**

Set of high door grips and plates, featuring a one-sided mechanism facilitating movement of the handle, M5 screws, 8 mm square spindle

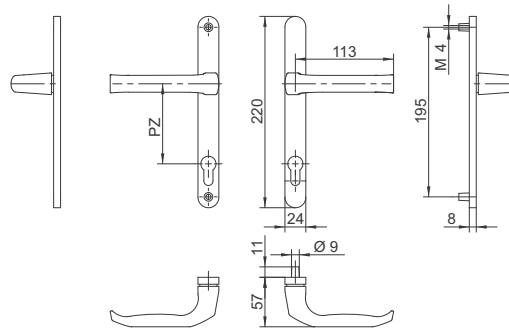
PZ	TS	Mounting spacing K	Colour								
			9016	8019	8077	F1	F3	F4	F9		
PZ 72	67-72	210	203-01621	203-01622	203-04582	203-01623	203-01624	203-01625	203-01626		
		216	203-01627	203-01628	203-04583	203-01629	203-01630	203-01631	203-01632		
	77-82	210	203-01633	203-01634	203-04584	203-01635	203-01636	203-01637	203-01638		
		216	203-01639	203-01640	203-04585	203-01641	203-01642	203-01643	203-01644		
PZ 92	67-72	210	203-01645	203-01646	203-04586	203-01647	203-01648	203-01649	203-01650		
		216	203-01651	203-01652	203-04587	203-01653	203-01654	203-01655	203-01656		
	77-82	210	203-01657	203-01658	203-04588	203-01659	203-01660	203-01661	203-01662		
		216	203-01663	203-01664	203-04589	203-01665	203-01666	203-01667	203-01668		



24/1/1003

Set of door grips and oval plates, without the mechanism facilitating movement of the handle, M4 screws, 8 mm square spindle

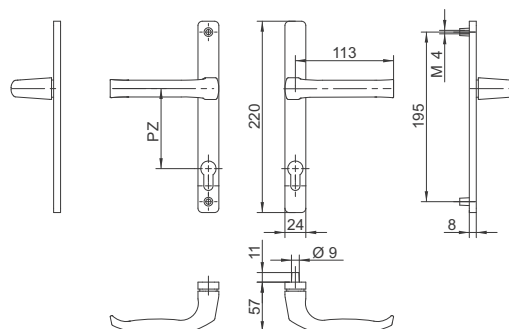
PZ	TS	Colour								
		9016	8019	8077	F1	F3	F4	F9		
PZ 70	67-72	203-01669	203-01670	203-04598	203-01671	203-01672	203-01673	203-01674		
	77-82	203-01675	203-01676	203-04599	203-01677	203-01678	203-01679	203-01680		
PZ 92	67-72	203-01681	203-01682	203-04600	203-01683	203-01684	203-01685	203-01686		
	77-82	203-01687	203-01688	203-04601	203-01689	203-01690	203-01691	203-01692		



24/2/1003

Set of door grips and rectangular plates, without the mechanism facilitating movement of the handle, M4 screws, 8 mm square spindle

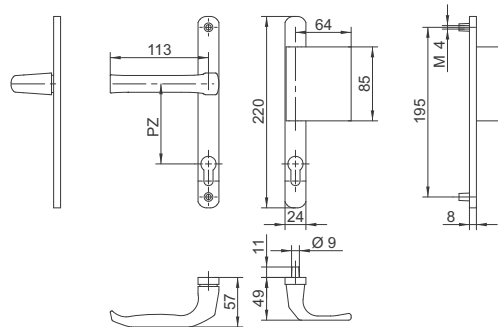
PZ	TS	Colour								
		9016	8019	8077	F1	F3	F4	F9		
PZ 70	67-72	203-01693	203-01694	203-04602	203-01695	203-01696	203-01697	203-01698		
	77-82	203-01699	203-01700	203-04603	203-01701	203-01702	203-01703	203-01704		
PZ 92	67-72	203-01705	203-01706	203-04604	203-01707	203-01708	203-01709	203-01710		
	77-82	203-01711	203-01712	203-04605	203-01713	203-01714	203-01715	203-01716		



24/3/1003 L1

Set consisting of door grip, handrail L1 type and rounded plates without mechanism facilitating movement of the handle, M4 screws, 8 mm square spindle

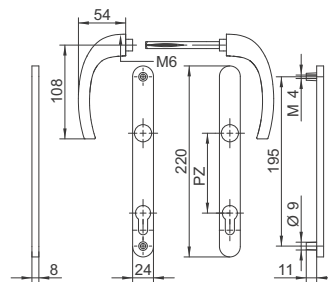
PZ	TS	Colour								
		9016	8019	8077	F1	F3	F4	F9		
PZ 70	67-72	203-03008	203-03009	203-04618	203-03010	203-03011	203-03012	203-03013		
	77-82	203-03014	203-03015	203-04619	203-03016	203-03017	203-03018	203-03019		
PZ 92	67-72	203-03020	203-03021	203-04620	203-03022	203-03023	203-03024	203-03025		
	77-82	203-03026	203-03027	203-04621	203-03028	203-03029	203-03030	203-03031		



24/1/1031

Set of door grips connected by a square spindle with the M6 screw and oval plates made of aluminium without mechanism facilitating movement of the handle, M6 bolt, M4 screws, 8 mm square spindle

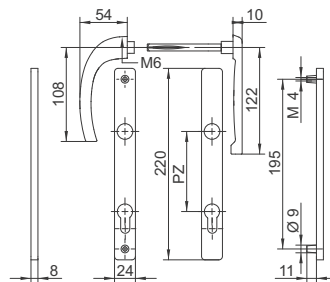
PZ	TS	Colour								
		9016	8019	8077	F1	F3	F4	F9		
PZ 70	67-72	203-01741	203-01742	203-04606	203-01743	203-01744	203-01745	203-01746		
	77-82	203-01747	203-01748	203-04607	203-01749	203-01750	203-01751	203-01752		
PZ 92	67-72	203-01753	203-01754	203-04608	203-01755	203-01756	203-01757	203-01758		
	77-82	203-01759	203-01760	203-04609	203-01761	203-01762	203-01763	203-01764		



**24/2/1031 R**

Set consisting of a door grip, of low grip under shutters connected by a square spindle with the M6 screw and rectangular plates, without mechanism facilitating movement of the handle, M6 bolt, M4 screws, 8 mm square spindle

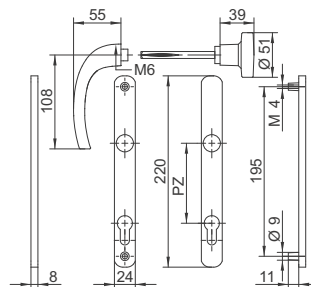
PZ	TS	Colour								
		9016	8019	8077	F1	F3	F4	F9		
PZ 70	67-72	203-01765	203-01766	203-04610	203-01767	203-01768	203-01769	203-01770		
	77-82	203-01771	203-01772	203-04611	203-01773	203-01774	203-01775	203-01776		
PZ 92	67-72	203-01777	203-01778	203-04612	203-01779	203-01780	203-01781	203-01782		
	77-82	203-01783	203-01784	203-04613	203-01785	203-01786	203-01787	203-01788		



**24/3/1031 G5/O**

Set consisting of a door grip, of rotating knob G5 type connected by a square spindle with the M6 screw and rounded plates, without mechanism facilitating movement of the handle, M6 bolt, M4 screws, 8 mm square spindle

PZ	TS	Colour								
		9016	8019	8077	F1	F3	F4	F9		
PZ 70	67-72	203-01789	203-01790	203-04614	203-01791	203-01792	203-01793	203-01794		
	77-82	203-01795	203-01796	203-04615	203-01797	203-01798	203-01799	203-01800		
PZ 92	67-72	203-01801	203-01802	203-04616	203-01803	203-01804	203-01805	203-01806		
	77-82	203-01807	203-01808	203-04617	203-01809	203-01810	203-01811	203-01812		



A close-up photograph of several aluminum door handles and profiles. The handles are rectangular with a brushed metal finish and are mounted on a matching aluminum profile. The profile has a keyhole cutout. The background is a dark, textured surface.

HANDLES FOR DOOR OF

ALUMINIUM PROFILE

6.4



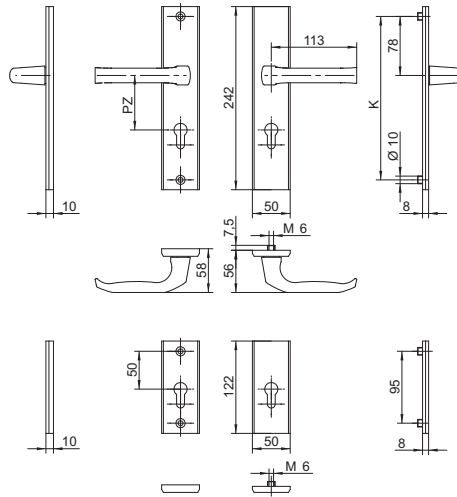
Series of door handles made of aluminium profile

50/1003/2N/KL.1/PZ/122

A set of door grips with full plates and patent insert plates, the external plate is equipped with steel sockets with M6 thread, M6 screws, 8mm square spindle



PZ	TS	Mounting spacing K	Colour		
			RAL 9005	F4	F9
72	52-57	216	214-00001	214-00002	214-00003
	72-77		214-00004	214-00005	214-00006
92	52-57		214-00007	214-00008	214-00009
	72-77		214-00010	214-00011	214-00012

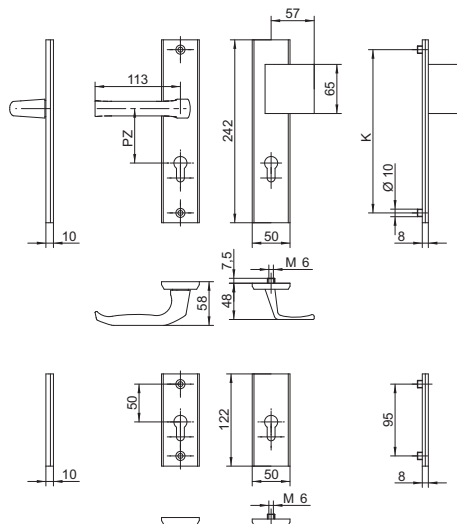


50/1003/L2/2N/KL.1/PZ/122

A set consists of a door grip and an L2 handrail, full plates and patent insert plates, the external plate is equipped with steel sockets with M6 thread, M6 screws, 8mm square spindle



PZ	TS	Mounting spacing K	Colour		
			RAL 9005	F4	F9
72	52-57	216	214-00013	214-00014	214-00015
	72-77		214-00016	214-00017	214-00018
92	52-57		214-00019	214-00020	214-00021
	72-77		214-00022	214-00023	214-00024



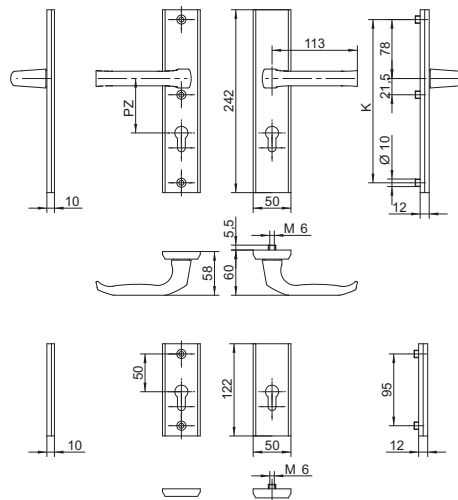
Series of door handles made of aluminium profile

**50/1003/3N/KL.2/PZ/122**

A set of door grips with full plates and patent insert plates, the external plate is equipped with steel sockets with M6 thread, M6 screws, 8mm square spindle



PZ	TS	Mounting spacing K	Colour		
			RAL 9005	F4	F9
72	52-57	216	214-00025	214-00026	214-00027
	72-77		214-00028	214-00029	214-00030
92	52-57		214-00031	214-00032	214-00033
	72-77		214-00034	214-00035	214-00036

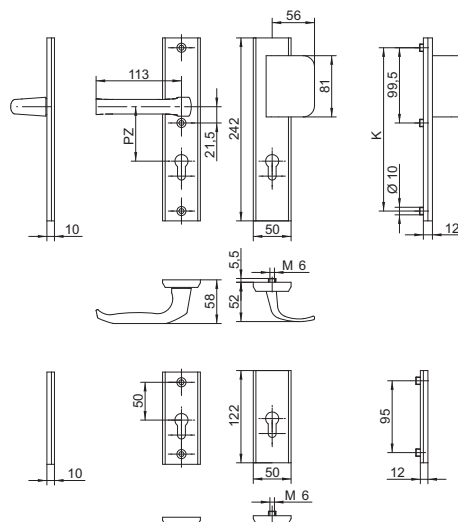


**50/1003/L7/3N/KL.2/PZ/122**

A set consists of a door grip and an L7 handrail, full plates and patent insert plates, the external plate is equipped with steel sockets with M6 thread, M6 screws, 8mm square spindle



PZ	TS	Mounting spacing K	Colour		
			RAL 9005	F4	F9
72	52-57	216	214-00037	214-00038	214-00039
	72-77		214-00040	214-00041	214-00042
92	52-57		214-00043	214-00044	214-00045
	72-77		214-00046	214-00047	214-00048



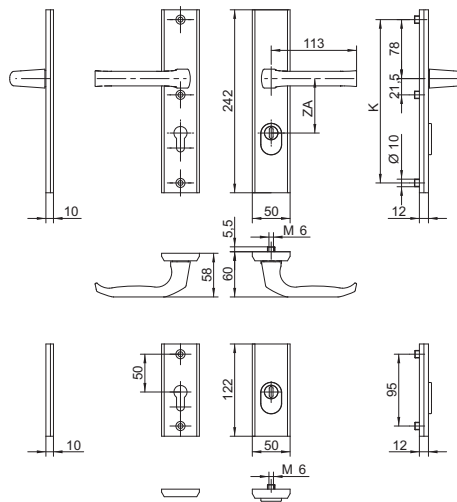
Series of door handles made of aluminium profile

**50/1003/3N/KL.3/ZA/122**

A set of door grips with full plates and patent insert plates, the external plate is equipped with steel sockets with M6 thread, burglary protection of the patent insert, M6 screws, 8mm square spindle



PZ	TS	Mounting spacing K	Colour		
			RAL 9005	F4	F9
72	52-57	216	214-00049	214-00050	214-00051
	72-77		214-00052	214-00053	214-00054
92	52-57		214-00055	214-00056	214-00057
	72-77		214-00058	214-00059	214-00060

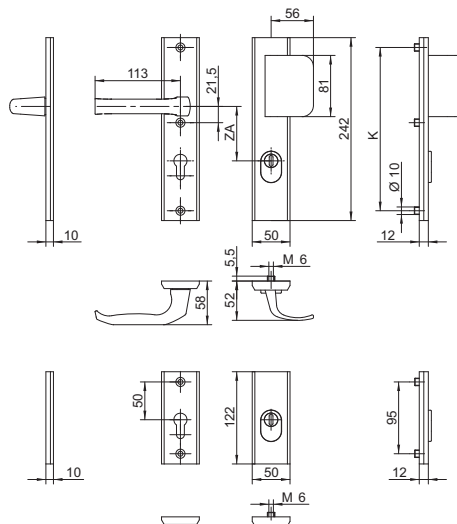


**50/1003/L7/3N/KL.3/ZA/122**

A set consists of a door grip and an L7 handrail, full plates and patent insert plates, the external plate is equipped with steel sockets with M6 thread, burglary protection of the patent insert, M6 screws, 8mm square spindle



PZ	TS	Mounting spacing K	Colour		
			RAL 9005	F4	F9
72	52-57	216	214-00061	214-00062	214-00063
	72-77		214-00064	214-00065	214-00066
92	52-57		214-00067	214-00068	214-00069
	72-77		214-00070	214-00071	214-00072



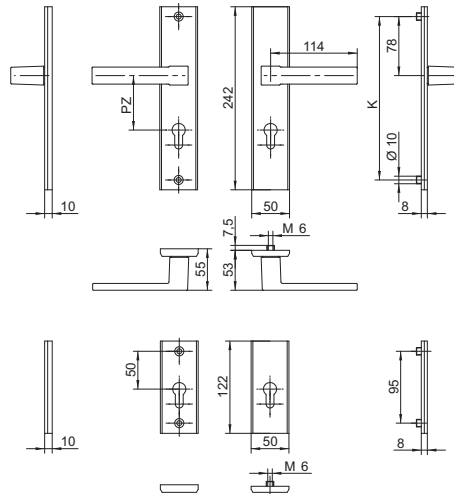
Series of door handles made of aluminium profile

50/1033/2N/KL.1/PZ/122

A set of door grips with full plates and patent insert plates, the external plate is equipped with steel sockets with M6 thread, M6 screws, 8mm square spindle



PZ	TS	Mounting spacing K	Colour		
			RAL 9005	F4	F9
72	52-57	216	214-00073	214-00074	214-00075
	72-77		214-00076	214-00077	214-00078
92	52-57		214-00079	214-00080	214-00081
	72-77		214-00082	214-00083	214-00084

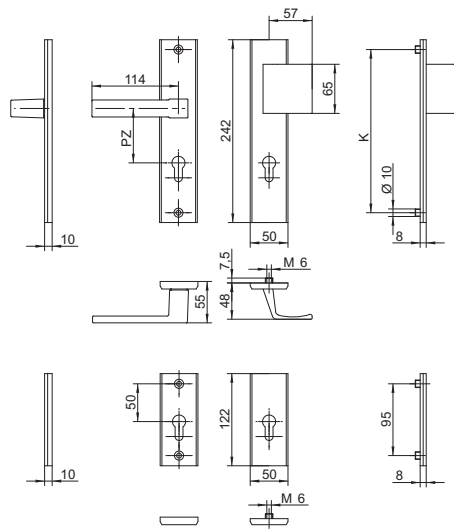


50/1033/L2/2N/KL.1/PZ/122

A set consists of a door grip and an L2 handrail, full plates and patent insert plates, the external plate is equipped with steel sockets with M6 thread, M6 screws, 8mm square spindle



PZ	TS	Mounting spacing K	Colour		
			RAL 9005	F4	F9
72	52-57	216	214-00085	214-00086	214-00087
	72-77		214-00088	214-00089	214-00090
92	52-57		214-00091	214-00092	214-00093
	72-77		214-00094	214-00095	214-00096



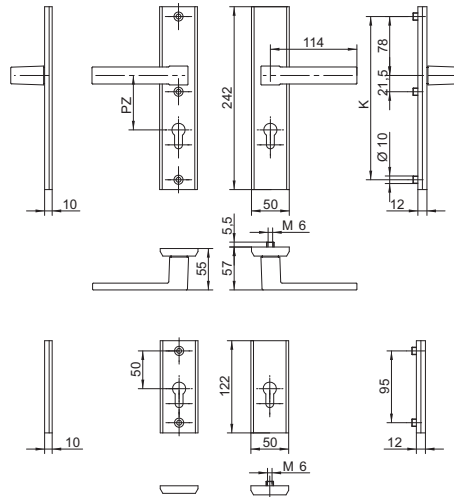
Series of door handles made of aluminium profile

**50/1 033/3N/KL.2/PZ/1 22**

A set of door grips with full plates and patent insert plates, the external plate is equipped with steel sockets with M6 thread, M6 screws, 8mm square spindle



PZ	TS	Mounting spacing K	Colour		
			RAL 9005	F4	F9
72	52-57	216	214-00097	214-00098	214-00099
	72-77		214-00100	214-00101	214-00102
92	52-57		214-00103	214-00104	214-00105
	72-77		214-00106	214-00107	214-00108

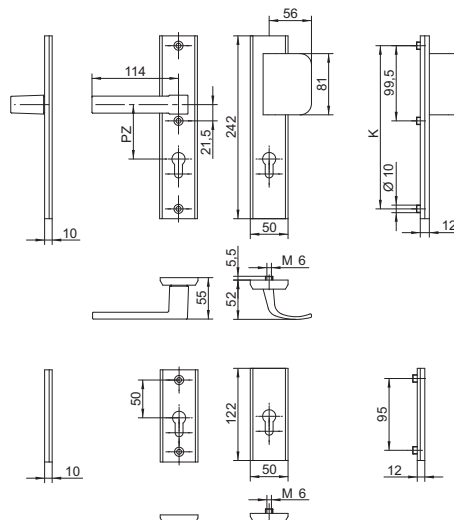


**50/1 033/L7/3N/KL.2/PZ/1 22**

A set consists of a door grip and an L7 handrail, full plates and patent insert plates, the external plate is equipped with steel sockets with M6 thread, M6 screws, 8mm square spindle



PZ	TS	Mounting spacing K	Colour		
			RAL 9005	F4	F9
72	52-57	216	214-00109	214-00110	214-00111
	72-77		214-00112	214-00113	214-00114
92	52-57		214-00115	214-00116	214-00117
	72-77		214-00118	214-00119	214-00120



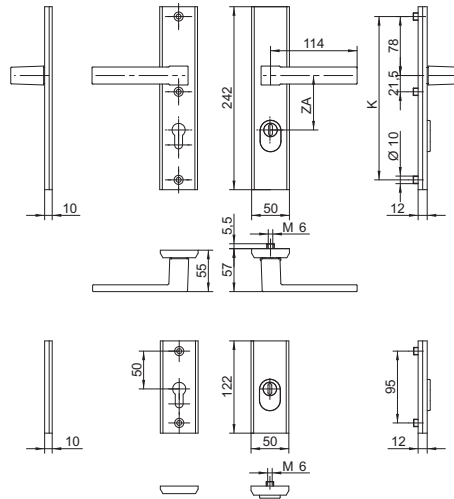
Series of door handles made of aluminium profile

**50/1033/3N/KL.3/ZA/122**

A set of door grips with full plates and patent insert plates, the external plate is equipped with steel sockets with M6 thread, burglary protection of the patent insert, M6 screws, 8mm square spindle



PZ	TS	Mounting spacing K	Colour		
			RAL 9005	F4	F9
72	52-57	216	214-00121	214-00122	214-00123
	72-77		214-00124	214-00125	214-00126
92	52-57		214-00127	214-00128	214-00129
	72-77		214-00130	214-00131	214-00132

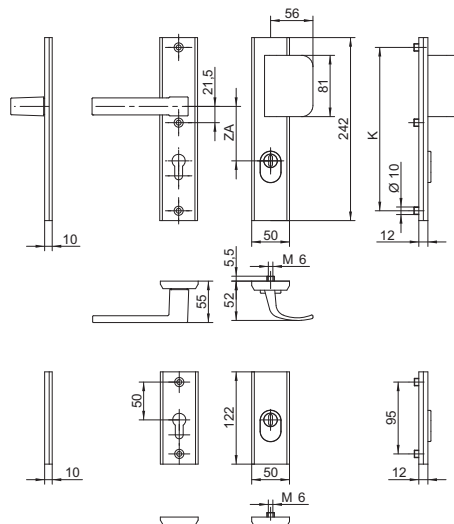


**50/1033/L7/3N/KL.3/ZA/122**

A set consists of a door grip and an L7 handrail, full plates and patent insert plates, the external plate is equipped with steel sockets with M6 thread, burglary protection of the patent insert, M6 screws, 8mm square spindle



PZ	TS	Mounting spacing K	Colour		
			RAL 9005	F4	F9
72	52-57	216	214-00133	214-00134	214-00135
	72-77		214-00136	214-00137	214-00138
92	52-57		214-00139	214-00140	214-00141
	72-77		214-00142	214-00143	214-00144

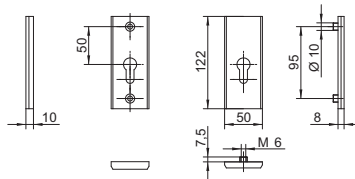


Series of door handles made of aluminium profile

**50/122/PZ/KL.1**

A set of full plates of the patent insert, the external plate is equipped with steel sockets with M6 threads, M6 screws

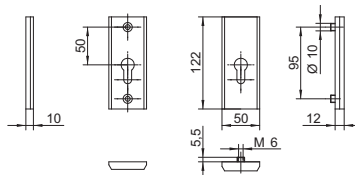
TS	Mounting spacing K	Colour									
		RAL 9005	F4	F9							
52-57	95	214-00145	214-00146	214-00147							
72-77		214-00148	214-00149	214-00150							



**50/122/PZ/KL.2**

A set of full plates of the patent insert, the external plate is equipped with steel sockets with M6 threads, M6 screws

TS	Mounting spacing K	Colour									
		RAL 9005	F4	F9							
52-57	95	214-00151	214-00152	214-00153							
72-77		214-00154	214-00155	214-00156							

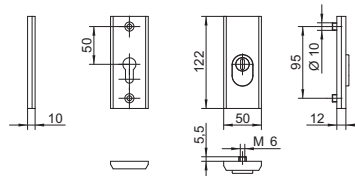


Series of door handles made of aluminium profile

**50/122/ZA/KL.3**

A set of full plates of the patent insert, the external plate is equipped with steel sockets with M6 threads, burglary protection, M6 screws

TS	Mounting spacing K	Colour						
		RAL 9005	F4	F9				
52-57	95	214-00157	214-00158	214-00159				
72-77		214-00160	214-00161	214-00162				

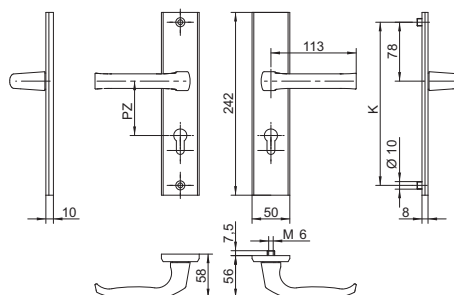


**50/1003/2N/KL.1/PZ**

A set of door grips with full plates, the external plate is equipped with steel sockets with M6 thread, M6 screws, 8mm square spindle



PZ	TS	Mounting spacing K	Colour						
			RAL 9005	F4	F9				
72	52-57	216	214-00163	214-00164	214-00165				
	72-77		214-00166	214-00167	214-00168				
92	52-57		214-00169	214-00170	214-00171				
	72-77		214-00172	214-00173	214-00174				





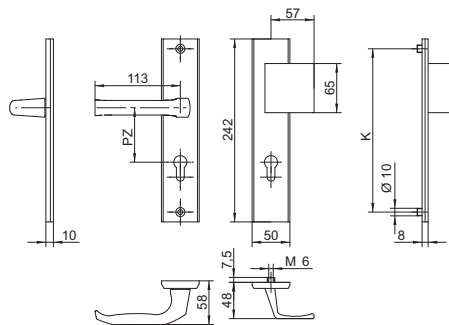
Series of door handles made of aluminium profile

**50/1003/L2/2N/KL.1/PZ**

A set consists of a door grip and an L2 handrail, full plates, the external plate is equipped with steel sockets with M6 thread, M6 screws, 8mm square spindle



PZ	TS	Mounting spacing K	Colour		
			RAL 9005	F4	F9
72	52-57	216	214-00175	214-00176	214-00177
	72-77		214-00178	214-00179	214-00180
92	52-57		214-00181	214-00182	214-00183
	72-77		214-00184	214-00185	214-00186

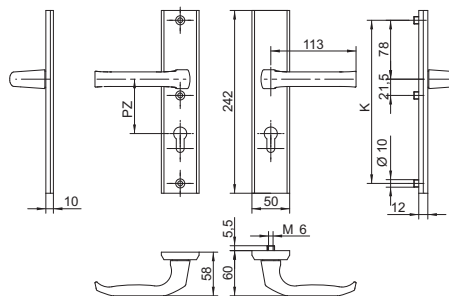


**50/1003/3N/KL.2/PZ**

A set of door grips with full plates, the external plate is equipped with steel sockets with M6 thread, M6 screws, 8mm square spindle



PZ	TS	Mounting spacing K	Colour		
			RAL 9005	F4	F9
72	52-57	216	214-00187	214-00188	214-00189
	72-77		214-00190	214-00191	214-00192
92	52-57		214-00193	214-00194	214-00195
	72-77		214-00196	214-00197	214-00198



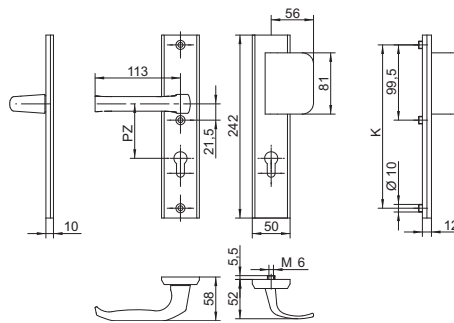
Series of door handles made of aluminium profile

**50/1003/L7/3N/KL.2/PZ**

A set consists of a door grip and an L7 handrail, full plates, the external plate is equipped with steel sockets with M6 thread, M6 screws, 8mm square spindle



PZ	TS	Mounting spacing K	Colour		
			RAL 9005	F4	F9
72	52-57	216	214-00199	214-00200	214-00201
	72-77		214-00202	214-00203	214-00204
92	52-57		214-00205	214-00206	214-00207
	72-77		214-00208	214-00209	214-00210

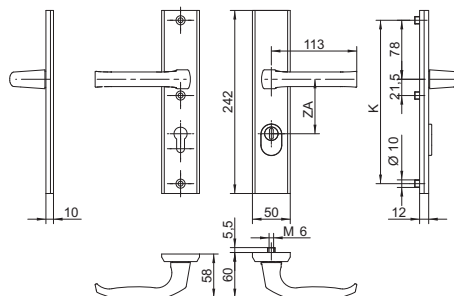


**50/1003/3N/KL.3/ZA**

A set of door grips with full plates, the external plate is equipped with steel sockets with M6 thread, burglary protection of the patent insert, M6 screws, 8mm square spindle



PZ	TS	Mounting spacing K	Colour		
			RAL 9005	F4	F9
72	52-57	216	214-00211	214-00212	214-00213
	72-77		214-00214	214-00215	214-00216
92	52-57		214-00217	214-00218	214-00219
	72-77		214-00220	214-00221	214-00222



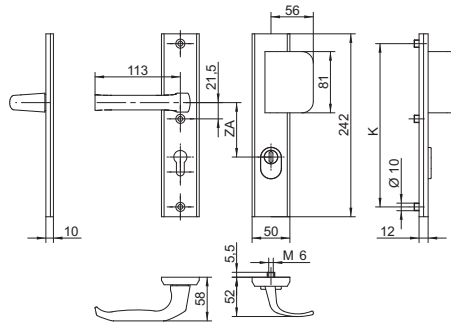
Series of door handles made of aluminium profile

**50/1003/L7/3N/KL.3/ZA**

A set consists of a door grip and an L7 handrail, full plates, the external plate is equipped with steel sockets with M6 thread, burglary protection of the patent insert, M6 screws, 8mm square spindle



PZ	TS	Mounting spacing K	Colour		
			RAL 9005	F4	F9
72	52-57	216	214-00223	214-00224	214-00225
	72-77		214-00226	214-00227	214-00228
92	52-57		214-00229	214-00230	214-00231
	72-77		214-00232	214-00233	214-00234

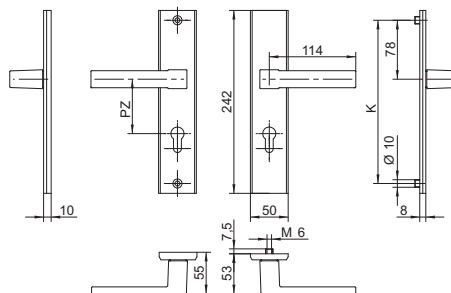


**50/1033/2N/KL.1/PZ**

A set of door grips with full plates, the external plate is equipped with steel sockets with M6 thread, M6 screws, 8mm square spindle



PZ	TS	Mounting spacing K	Colour		
			RAL 9005	F4	F9
72	52-57	216	214-00235	214-00236	214-00237
	72-77		214-00238	214-00239	214-00240
92	52-57		214-00241	214-00242	214-00243
	72-77		214-00244	214-00245	214-00246



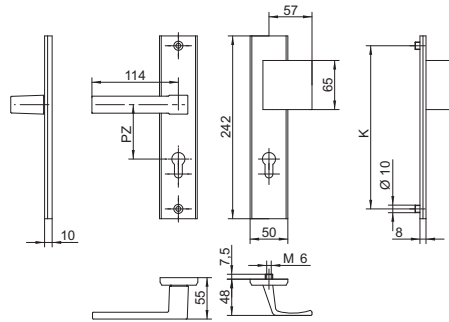
Series of door handles made of aluminium profile

**50/1033/L2/2N/KL.1/PZ**

A set consists of a door grip and an L2 handrail, full plates, the external plate is equipped with steel sockets with M6 thread, M6 screws, 8mm square spindle



PZ	TS	Mounting spacing K	Colour		
			RAL 9005	F4	F9
72	52-57	216	214-00247	214-00248	214-00249
	72-77		214-00250	214-00251	214-00252
92	52-57		214-00253	214-00254	214-00255
	72-77		214-00256	214-00257	214-00258

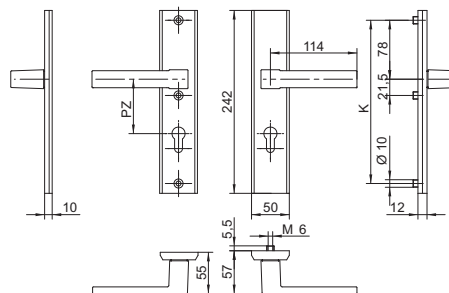


**50/1033/3N/KL.2/PZ**

A set of door grips with full plates, the external plate is equipped with steel sockets with M6 thread, M6 screws, 8mm square spindle



PZ	TS	Mounting spacing K	Colour		
			RAL 9005	F4	F9
72	52-57	216	214-00259	214-00260	214-00261
	72-77		214-00262	214-00263	214-00264
92	52-57		214-00265	214-00266	214-00267
	72-77		214-00268	214-00269	214-00270



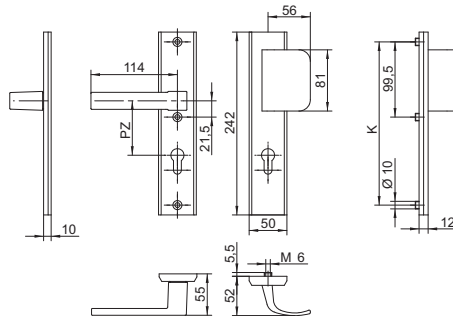
Series of door handles made of aluminium profile

**50/1033/L7/3N/KL.2/PZ**

A set consists of a door grip and an L7 handrail, full plates, the external plate is equipped with steel sockets with M6 thread, M6 screws, 8mm square spindle



PZ	TS	Mounting spacing K	Colour		
			RAL 9005	F4	F9
72	52-57	216	214-00271	214-00272	214-00273
	72-77		214-00274	214-00275	214-00276
92	52-57		214-00277	214-00278	214-00279
	72-77		214-00280	214-00281	214-00282

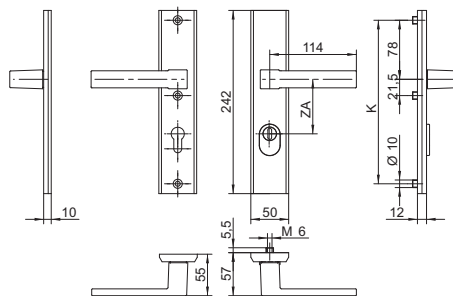


**50/1033/3N/KL.3/ZA**

A set of door grips with full plates, the external plate is equipped with steel sockets with M6 thread, burglary protection of the patent insert, M6 screws, 8mm square spindle



PZ	TS	Mounting spacing K	Colour		
			RAL 9005	F4	F9
72	52-57	216	214-00283	214-00284	214-00285
	72-77		214-00286	214-00287	214-00288
92	52-57		214-00289	214-00290	214-00291
	72-77		214-00292	214-00293	214-00294



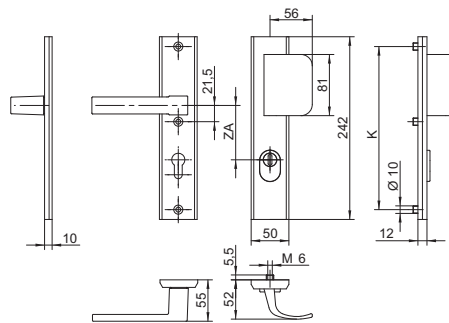
Series of door handles made of aluminium profile

**50/1033/L7/3N/KL.3/ZA**

A set consists of a door grip and an L7 handrail, full plates, the external plate is equipped with steel sockets with M6 thread, burglary protection of the patent insert, M6 screws, 8mm square spindle



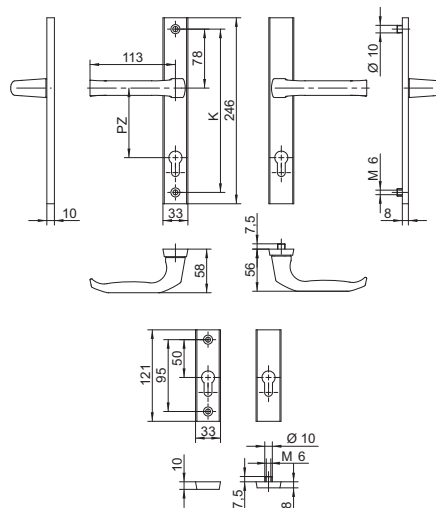
PZ	TS	Mounting spacing K	Colour		
			RAL 9005	F4	F9
72	52-57	216	214-00295	214-00296	214-00297
	72-77		214-00298	214-00299	214-00300
92	52-57		214-00301	214-00302	214-00303
	72-77		214-00304	214-00305	214-00306



**33/1003/2N/PZ/121**

A set of door grips with full plates and patent insert plates, the external plate is equipped with steel sockets with M6 thread, M6 screws, 8mm square spindle

PZ	TS	Mounting spacing K	Colour		
			RAL 9005	F4	F9
72	52-57	216	214-00307	214-00308	214-00309
	72-77		214-00310	214-00311	214-00312
92	52-57		214-00313	214-00314	214-00315
	72-77		214-00316	214-00317	214-00318

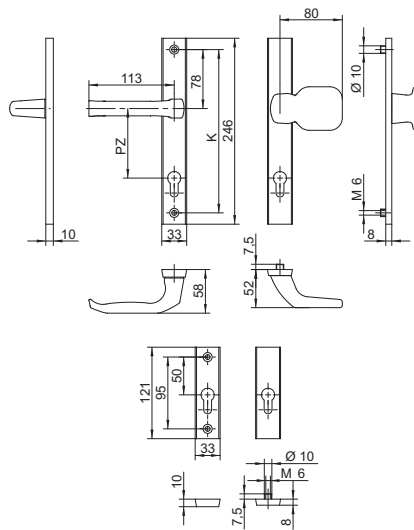


Series of door handles made of aluminium profile

### 33/1003/G2/2N/PZ/121

A set consists of a door grip and a G2 knob, full plates and patent insert plates, the external plate is equipped with steel sockets with M6 thread, M6 screws, 8mm square spindle

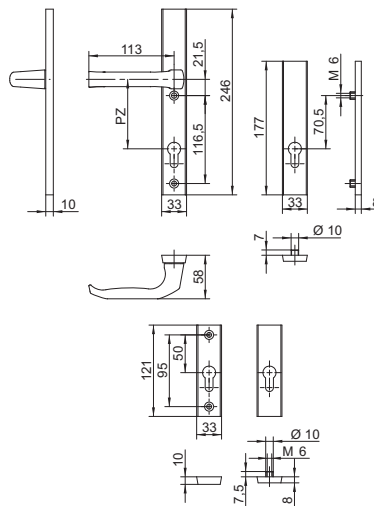
PZ	TS	Mounting spacing K	Colour					
			RAL 9005	F4	F9			
72	52-57	216	214-00319	214-00320	214-00321			
	72-77		214-00322	214-00323	214-00324			
92	52-57		214-00325	214-00326	214-00327			
	72-77		214-00328	214-00329	214-00330			



### 33/1003/177/2N/PZ/121

A set consists of an internal door grip with a full plate and an external short plate, equipped with steel sockets with M6 threads, patent insert plates, M6 screws, 8mm square spindle

PZ	TS	Mounting spacing K	Colour					
			RAL 9005	F4	F9			
72	52-57	216	214-00331	214-00332	214-00333			
	72-77		214-00334	214-00335	214-00336			
92	52-57		214-00337	214-00338	214-00339			
	72-77		214-00340	214-00341	214-00342			

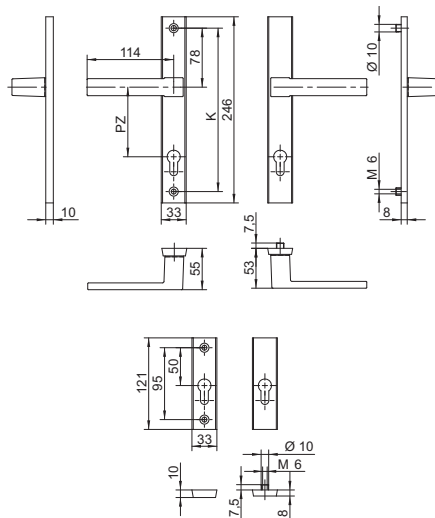


Series of door handles made of aluminium profile

**33/1033/2N/PZ/121**

A set of door grips with full plates and patent insert plates, the external plate is equipped with steel sockets with M6 thread, M6 screws, 8mm square spindle

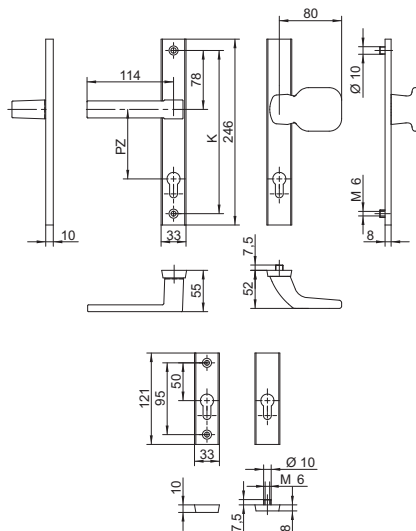
PZ	TS	Mounting spacing K	Colour		
			RAL 9005	F4	F9
72	52-57	216	214-00343	214-00344	214-00345
	72-77		214-00346	214-00347	214-00348
92	52-57		214-00349	214-00350	214-00351
	72-77		214-00352	214-00353	214-00354



**33/1033/G2/2N/PZ/121**

A set consists of a door grip and a G2 knob, full plates and patent insert plates, the external plate is equipped with steel sockets with M6 thread, M6 screws, 8mm square spindle

PZ	TS	Mounting spacing K	Colour		
			RAL 9005	F4	F9
72	52-57	216	214-00355	214-00356	214-00357
	72-77		214-00358	214-00359	214-00360
92	52-57		214-00361	214-00362	214-00363
	72-77		214-00364	214-00365	214-00366



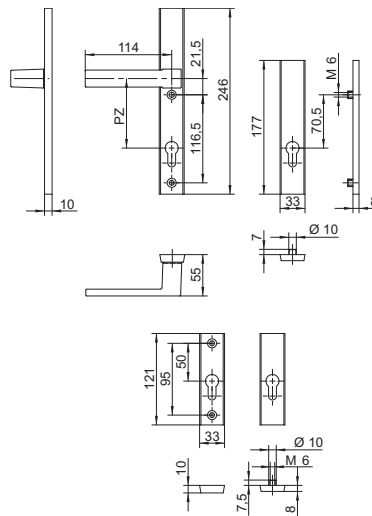


Series of door handles made of aluminium profile

**33/1033/177/2N/PZ/121**

A set consists of an internal door grip with a full plate and an external short plate, equipped with steel sockets with M6 threads, patent insert plates, M6 screws, 8mm square spindle

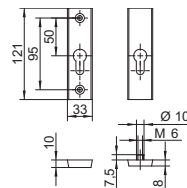
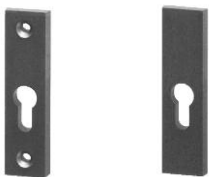
PZ	TS	Mounting spacing K	Colour					
			RAL 9005	F4	F9			
72	52-57	216	214-00367	214-00368	214-00369			
	72-77		214-00370	214-00371	214-00372			
92	52-57		214-00373	214-00374	214-00375			
	72-77		214-00376	214-00377	214-00378			



**33/121/PZ**

A set of full plates of the patent insert, the external plate is equipped with steel sockets with M6 threads, M6 screws

TS	Mounting spacing K	Colour					
		RAL 9005	F4	F9			
52-57	95	214-00379	214-00380	214-00381			
72-77		214-00382	214-00383	214-00384			

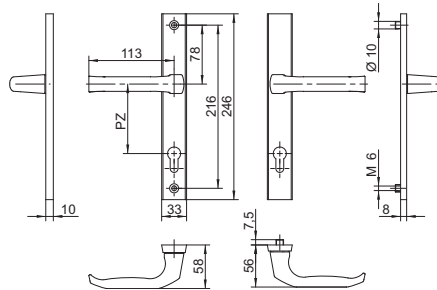


Series of door handles made of aluminium profile

**33/1003/2N/PZ**

A set of door grips with full plates, the external plate is equipped with steel sockets with M6 thread, M6 screws, 8mm square spindle

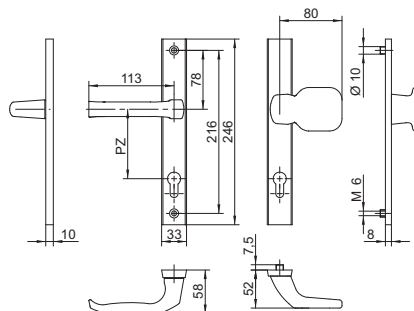
PZ	TS	Mounting spacing K	Colour					
			RAL 9005	F4	F9			
72	52-57	216	214-00385	214-00386	214-00387			
	72-77		214-00388	214-00389	214-00390			
92	52-57		214-00391	214-00392	214-00393			
	72-77		214-00394	214-00395	214-00396			



**33/1003/G2/2N/PZ**

A set consists of a door grip and a G2 knob, full plates, the external plate is equipped with steel sockets with M6 thread, M6 screws, 8mm square spindle

PZ	TS	Mounting spacing K	Colour					
			RAL 9005	F4	F9			
72	52-57	216	214-00397	214-00398	214-00399			
	72-77		214-00400	214-00401	214-00402			
92	52-57		214-00403	214-00404	214-00405			
	72-77		214-00406	214-00407	214-00408			

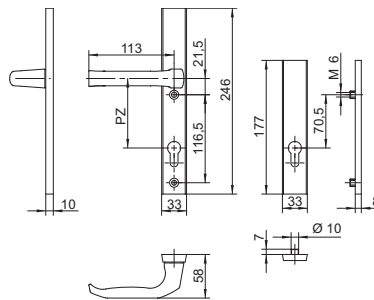


Series of door handles made of aluminium profile

**33/1003/177/2N/PZ**

A set consists of an internal door grip with a full plate and an external short plate, equipped with steel sockets with M6 threads, M6 screws, 8mm square spindle

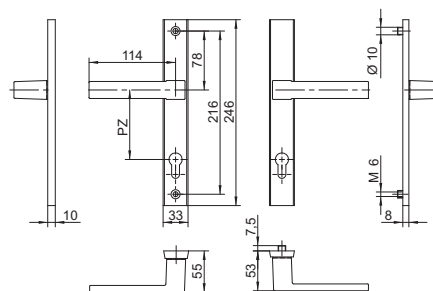
PZ	TS	Mounting spacing K	Colour						
			RAL 9005	F4	F9				
72	52-57	216	214-00409	214-00410	214-00411				
	72-77		214-00412	214-00413	214-00414				
92	52-57		214-00415	214-00416	214-00417				
	72-77		214-00418	214-00419	214-00420				



**33/1033/2N/PZ**

A set of door grips with full plates, the external plate is equipped with steel sockets with M6 thread, M6 screws, 8mm square spindle

PZ	TS	Mounting spacing K	Colour						
			RAL 9005	F4	F9				
72	52-57	216	214-00421	214-00422	214-00423				
	72-77		214-00424	214-00425	214-00426				
92	52-57		214-00427	214-00428	214-00429				
	72-77		214-00430	214-00431	214-00432				

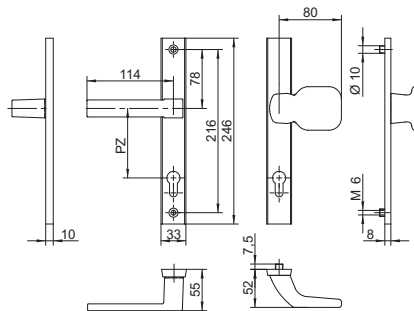


Series of door handles made of aluminium profile

**33/1033/G2/2N/PZ**

A set consists of a door grip and a G2 knob, full plates, the external plate is equipped with steel sockets with M6 thread, M6 screws, 8mm square spindle

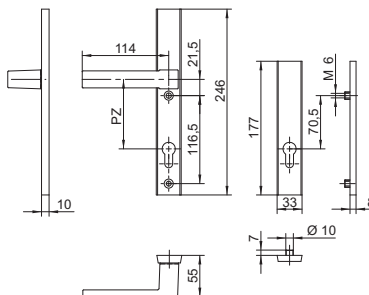
PZ	TS	Mounting spacing K	Colour					
			RAL 9005	F4	F9			
72	52-57	216	214-00433	214-00434	214-00435			
	72-77		214-00436	214-00437	214-00438			
92	52-57		214-00439	214-00440	214-00441			
	72-77		214-00442	214-00443	214-00444			



**33/1033/177/2N/PZ**

A set consists of an internal door grip with a full plate and an external short plate, equipped with steel sockets with M6 threads, M6 screws, 8mm square spindle

PZ	TS	Mounting spacing K	Colour					
			RAL 9005	F4	F9			
72	52-57	216	214-00445	214-00446	214-00447			
	72-77		214-00448	214-00449	214-00450			
92	52-57		214-00451	214-00452	214-00453			
	72-77		214-00454	214-00455	214-00456			





A close-up photograph of a silver metal handle, likely for a door lock. The handle has a cylindrical grip on the left and a keyhole on the right. The keyhole is surrounded by a circular metal plate. The background is a dark, textured surface.

SETS WITH FULL MILLED PLATES

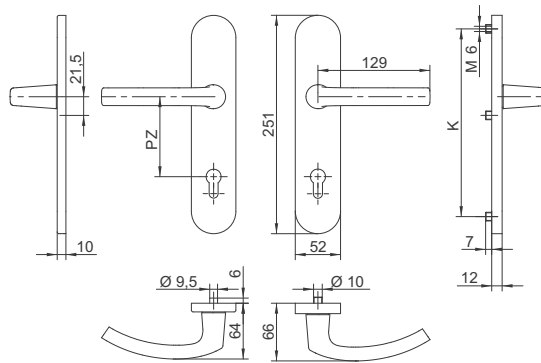
SKG\*\*\* / SKG\*\*

**52/2000 SKG\*\*\***

Set of door grips with an external complete plate, with steel sockets with M6 thread, with internal plate of ZnAl alloy fitted with mechanism assisting movement of the handle, covered with a cap, M6 screws, 8 mm square spindle



PZ	TS	Mounting spacing K	Colour			
			9016	8077	F1	F9
PZ 72	67-72	210	202-00175	202-01048	202-00176	202-00177
		216	202-00178	202-01049	202-00179	202-00180
	77-82	210	202-00181	202-01050	202-00182	202-00183
		216	202-00184	202-01051	202-00185	202-00186
PZ 92	67-72	210	202-00187	202-01052	202-00188	202-00189
		216	202-00190	202-01053	202-00191	202-00192
	77-82	210	202-00193	202-01054	202-00194	202-00195
		216	202-00196	202-01055	202-00197	202-00198

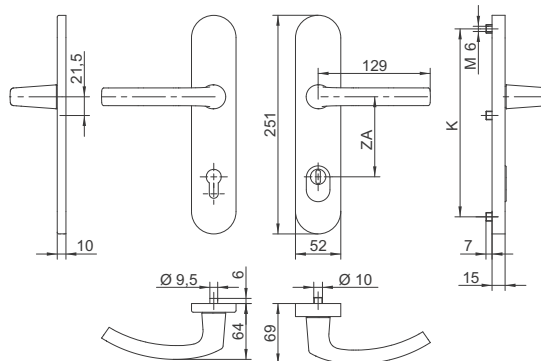


**52/2000 ZA SKG\*\*\***

Set of door grips with an external complete plate, with steel sockets with M6 thread, with burglary protection of the lock cylinder, with internal plate of ZnAl alloy fitted with mechanism assisting movement of the handle, covered with a cap, M6 screws, 8 mm square spindle



ZA	TS	Mounting spacing K	Colour			
			9016	8077	F1	F9
ZA 72	67-72	210	202-00199	202-01056	202-00200	202-00201
		216	202-00202	202-01057	202-00203	202-00204
	77-82	210	202-00205	202-01058	202-00206	202-00207
		216	202-00208	202-01059	202-00209	202-00210
ZA 92	67-72	210	202-00211	202-01060	202-00212	202-00213
		216	202-00214	202-01061	202-00215	202-00216
	77-82	210	202-00217	202-01062	202-00218	202-00219
		216	202-00220	202-01063	202-00221	202-00222

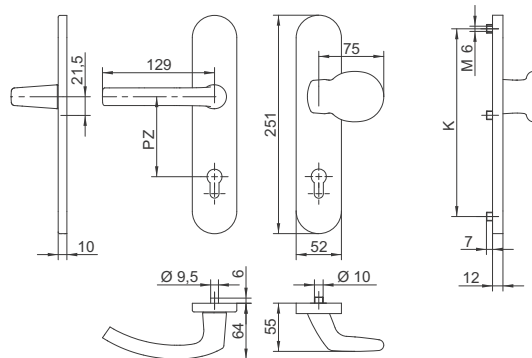


**52/2000 G1 SKG\*\*\***

Set consisting of door grip and fixed knob G1 type, with an external complete plate, with steel sockets with M6 thread, with internal plate of ZnAl alloy fitted with mechanism assisting movement of the handle, covered with a cap, M6 screws, 8 mm square spindle



PZ	TS	Mounting spacing K	Colour			
			9016	8077	F1	F9
PZ 72	67-72	210	202-00223	202-01064	202-00224	202-00225
		216	202-00226	202-01065	202-00227	202-00228
	77-82	210	202-00229	202-01066	202-00230	202-00231
		216	202-00232	202-01067	202-00233	202-00234
PZ 92	67-72	210	202-00235	202-01068	202-00236	202-00237
		216	202-00238	202-01069	202-00239	202-00240
	77-82	210	202-00241	202-01070	202-00242	202-00243
		216	202-00244	202-01071	202-00245	202-00246

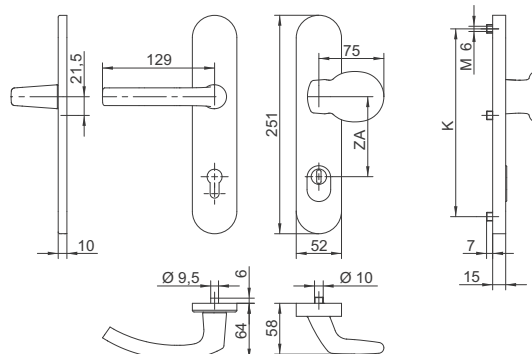


**52/2000 G1 ZA SKG\*\*\***

Set consisting of door grip and fixed knob G1 type, with an external complete plate, with steel sockets with M6 thread, with burglary protection of the lock cylinder, with internal plate of ZnAl alloy fitted with mechanism assisting movement of the handle, covered with a cap, M6 screws, 8 mm square spindle



ZA	TS	Mounting spacing K	Colour			
			9016	8077	F1	F9
ZA 72	67-72	210	202-00247	202-01072	202-00248	202-00249
		216	202-00250	202-01073	202-00251	202-00252
	77-82	210	202-00253	202-01074	202-00254	202-00255
		216	202-00256	202-01075	202-00257	202-00258
ZA 92	67-72	210	202-00259	202-01076	202-00260	202-00261
		216	202-00262	202-01077	202-00263	202-00264
	77-82	210	202-00265	202-01078	202-00266	202-00267
		216	202-00268	202-01079	202-00269	202-00270



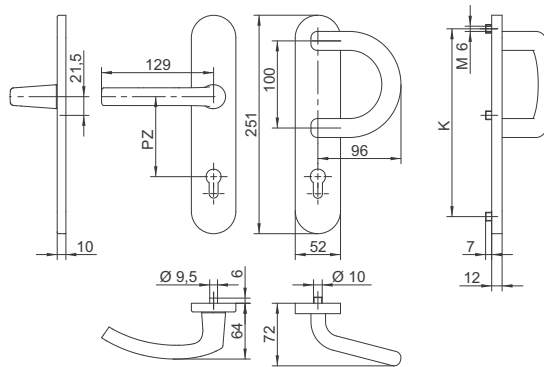


**52/2000 P SKG\*\*\***

Set consisting of door grip and handrail P type, with an external complete plate, with steel sockets with M6 thread, with internal plate of ZnAl alloy fitted with mechanism assisting movement of the handle, covered with a cap, M6 screws, 8 mm square spindle



PZ	TS	Mounting spacing K	Colour			
			9016	8077	F1	F9
PZ 72	67-72	210	202-00271	202-01080	202-00272	202-00273
		216	202-00274	202-01081	202-00275	202-00276
	77-82	210	202-00277	202-01082	202-00278	202-00279
		216	202-00280	202-01083	202-00281	202-00282
PZ 92	67-72	210	202-00283	202-01084	202-00284	202-00285
		216	202-00286	202-01085	202-00287	202-00288
	77-82	210	202-00289	202-01086	202-00290	202-00291
		216	202-00292	202-01087	202-00293	202-00294

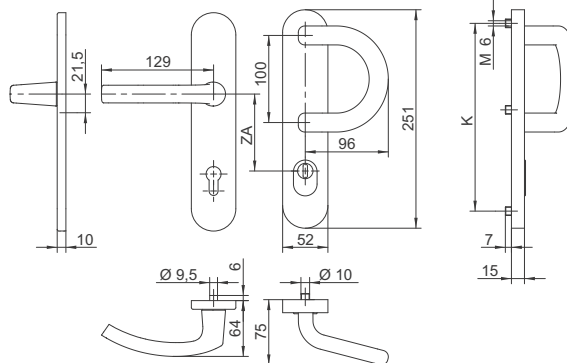


**52/2000 P ZA SKG\*\*\***

Set consisting of door grip and handrail P type, with an external complete plate, with steel sockets with M6 thread, with burglary protection of the lock cylinder, with internal plate of ZnAl alloy fitted with mechanism assisting movement of the handle, covered with a cap, M6 screws, 8 mm square spindle



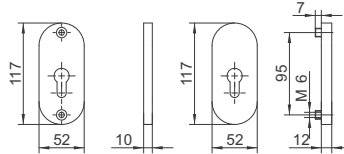
ZA	TS	Mounting spacing K	Colour			
			9016	8077	F1	F9
ZA 92	67-72	210	202-00307	202-01088	202-00308	202-00309
		216	202-00310	202-01089	202-00311	202-00312
	77-82	210	202-00313	202-01090	202-00314	202-00315
		216	202-00316	202-01091	202-00317	202-00318



52/1 17 PZ

Set consisting of short oval plates, the outdoor sign equipped with steel sockets with threads M6, and M6 screws

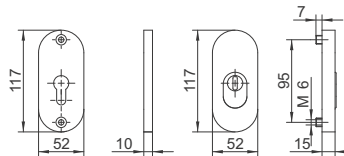
Colour									
9016	8019	8077	F1	F3	F4	F9			
209-00118	209-00119	209-00411	209-00120	209-00121	209-00122	209-00123			



52/1 17 ZA

Set consisting of short oval plates, the outdoor sign equipped with steel sockets with threads M6, with burglary protection of the lock cylinder, M6 screws

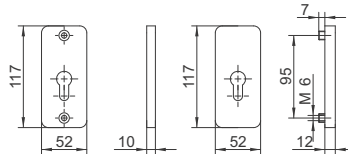
Colour									
9016	8019	8077	F1	F3	F4	F9			
209-00124	209-00125	209-00412	209-00126	209-00127	209-00128	209-00129			



52/1 17 PZ E

Set consisting of short rectangular plates, the outdoor sign equipped with steel sockets with threads M6, and M6 screws

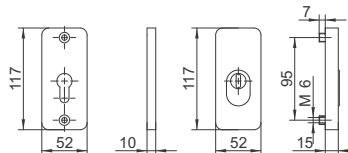
Colour									
9016	8019	8077	F1	F3	F4	F9			
209-00130	209-00131	209-00413	209-00132	209-00133	209-00134	209-00135			



52/1 17 ZA E

Set consisting of short rectangular plates, the outdoor sign equipped with steel sockets with threads M6, with burglary protection of the lock cylinder, M6 screws

Colour									
9016	8019	8077	F1	F3	F4	F9			
209-00136	209-00137	209-00414	209-00138	209-00139	209-00140	209-00141			



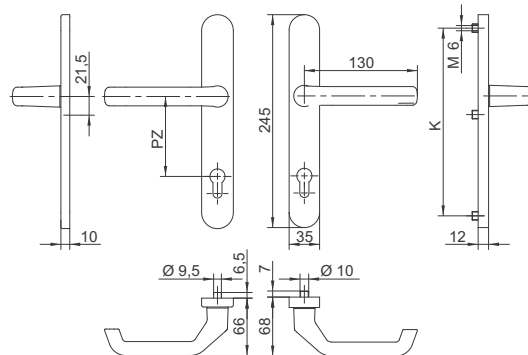
35/1200 SKG\*\*\*

Set of door grips with an external complete plate, with steel sockets with M6 thread, with internal plate of ZnAl alloy fitted with mechanism assisting movement of the handle, covered with a cap, M6 screws, 8 mm square spindle



PZ	TS	Colour				Colour			
		9016	8077	F1	F9	9016	8077	F1	F9
Mounting spacing K		210				216			
PZ 55	67-72	202-00463	202-01092	202-00464	202-00465	202-00466	202-01093	202-00467	202-00468
	77-82	202-00469	202-01094	202-00470	202-00471	202-00472	202-01095	202-00473	202-00474
PZ 72*	67-72	202-00475	202-01096	202-00476	202-00477	202-00478	202-01097	202-00479	202-00480
	77-82	202-00481	202-01098	202-00482	202-00483	202-00484	202-01099	202-00485	202-00486
PZ 92	67-72	202-00487	202-01100	202-00488	202-00489	202-00490	202-01101	202-00491	202-00492
	77-82	202-00493	202-01102	202-00494	202-00495	202-00496	202-01103	202-00497	202-00498

\* PZ 72 Certificate SKG\*\*



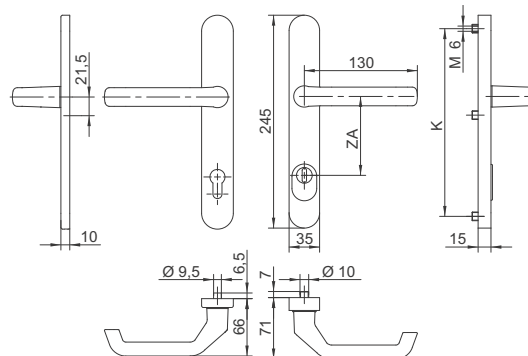
35/1200 ZA SKG\*\*\*

Set of door grips with an external complete plate, with steel sockets with M6 thread, with burglary protection of the lock cylinder, with internal plate of ZnAl alloy fitted with mechanism assisting movement of the handle, covered with a cap, M6 screws, 8 mm square spindle



ZA	TS	Colour				Colour			
		9016	8077	F1	F9	9016	8077	F1	F9
Mounting spacing K		210				216			
ZA 55	67-72	202-00499	202-01104	202-00500	202-00501	202-00502	202-01105	202-00503	202-00504
	77-82	202-00505	202-01106	202-00506	202-00507	202-00508	202-01107	202-00509	202-00510
ZA 72*	67-72	202-00511	202-01108	202-00512	202-00513	202-00514	202-01109	202-00515	202-00516
	77-82	202-00517	202-01110	202-00518	202-00519	202-00520	202-01111	202-00521	202-00522
ZA 92	67-72	202-00523	202-01112	202-00524	202-00525	202-00526	202-01113	202-00527	202-00528
	77-82	202-00529	202-01114	202-00530	202-00531	202-00532	202-01115	202-00533	202-00534

\* ZA 72 Certificate SKG\*\*



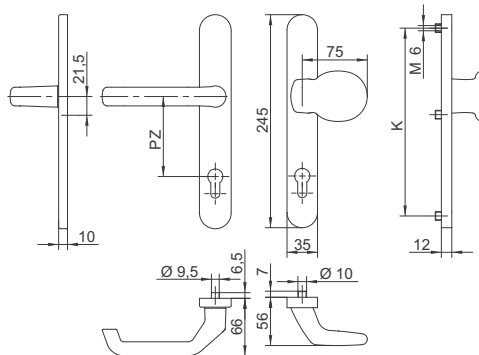
**35/1200 G1 SKG\*\*\***

Set consisting of door grip and fixed knob G1 type, with an external complete plate, with steel sockets with M6 thread, with internal plate of ZnAl alloy fitted with mechanism assisting movement of the handle, covered with a cap, M6 screws, 8 mm square spindle



PZ	TS	Colour				Colour			
		9016	8077	F1	F9	9016	8077	F1	F9
Mounting spacing K		210				216			
PZ 55	67-72	202-00535	202-01116	202-00536	202-00537	202-00538	202-01117	202-00539	202-00540
	77-82	202-00541	202-01118	202-00542	202-00543	202-00544	202-01119	202-00545	202-00546
PZ 72*	67-72	202-00547	202-01120	202-00548	202-00549	202-00550	202-01121	202-00551	202-00552
	77-82	202-00553	202-01122	202-00554	202-00555	202-00556	202-01123	202-00557	202-00558
PZ 92	67-72	202-00559	202-01124	202-00560	202-00561	202-00562	202-01125	202-00563	202-00564
	77-82	202-00565	202-01126	202-00566	202-00567	202-00568	202-01127	202-00569	202-00570

\* PZ 72 Certificate SKG\*\*



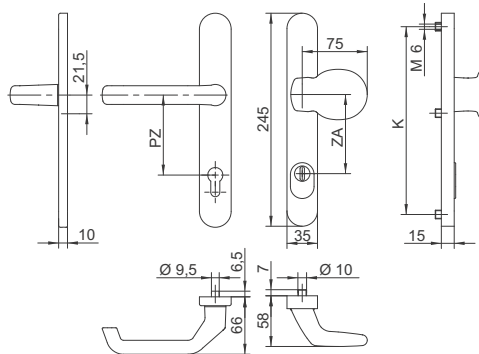
**35/1200 G1 ZA SKG\*\*\***

Set consisting of door grip and fixed knob G1 type, with an external complete plate, with steel sockets with M6 thread, with burglary protection of the lock cylinder, with internal plate of ZnAl alloy fitted with mechanism assisting movement of the handle, covered with a cap, M6 screws, 8 mm square spindle



ZA	TS	Colour				Colour			
		9016	8077	F1	F9	9016	8077	F1	F9
Mounting spacing K		210				216			
ZA 55	67-72	202-00571	202-01128	202-00572	202-00573	202-00574	202-01129	202-00575	202-00576
	77-82	202-00577	202-01130	202-00578	202-00579	202-00580	202-01131	202-00581	202-00582
ZA 72*	67-72	202-00583	202-01132	202-00584	202-00585	202-00586	202-01133	202-00587	202-00588
	77-82	202-00589	202-01134	202-00590	202-00591	202-00592	202-01135	202-00593	202-00594
ZA 92	67-72	202-00595	202-01136	202-00596	202-00597	202-00598	202-01137	202-00599	202-00600
	77-82	202-00601	202-01138	202-00602	202-00603	202-00604	202-01139	202-00605	202-00606

\* ZA 72 Certificate SKG\*\*



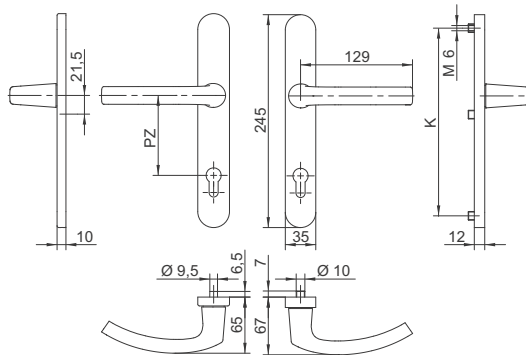
35/2000 SKG\*\*\*

Set of door grips with an external complete plate, with steel sockets with M6 thread, with internal plate of ZnAl alloy fitted with mechanism assisting movement of the handle, covered with a cap, M6 screws, 8 mm square spindle



PZ	TS	Colour				Colour			
		9016	8077	F1	F9	9016	8077	F1	F9
Mounting spacing K		210				216			
PZ 55	67-72	202-00613	202-01140	202-00614	202-00615	202-00607	202-01141	202-00608	202-00609
	77-82	202-00616	202-01142	202-00617	202-00618	202-00610	202-01143	202-00611	202-00612
PZ 72*	67-72	202-00619	202-01144	202-00620	202-00621	202-00319	202-01145	202-00320	202-00321
	77-82	202-00622	202-01146	202-00623	202-00624	202-00322	202-01147	202-00323	202-00324
PZ 92	67-72	202-00625	202-01148	202-00626	202-00627	202-00325	202-01149	202-00326	202-00327
	77-82	202-00628	202-01150	202-00629	202-00630	202-00328	202-01151	202-00329	202-00330

\* PZ 72 Certificate SKG\*\*



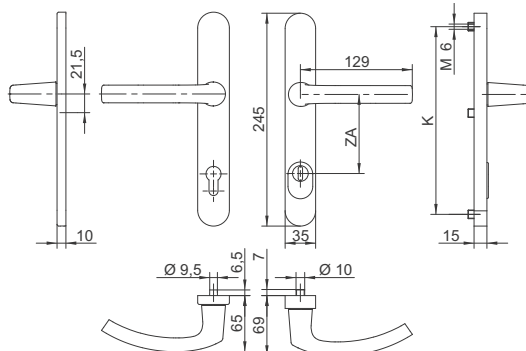
35/2000 ZA SKG\*\*\*

Set of door grips with an external complete plate, with steel sockets with M6 thread, with burglary protection of the lock cylinder, with internal plate of ZnAl alloy fitted with mechanism assisting movement of the handle, covered with a cap, M6 screws, 8 mm square spindle



ZA	TS	Colour				Colour			
		9016	8077	F1	F9	9016	8077	F1	F9
Mounting spacing K		210				216			
ZA 55	67-72	202-00637	202-01152	202-00638	202-00639	202-00631	202-01153	202-00632	202-00633
	77-82	202-00640	202-01154	202-00641	202-00642	202-00634	202-01155	202-00635	202-00636
ZA 72*	67-72	202-00643	202-01156	202-00644	202-00645	202-00331	202-01157	202-00332	202-00333
	77-82	202-00646	202-01158	202-00647	202-00648	202-00334	202-01159	202-00335	202-00336
ZA 92	67-72	202-00649	202-01160	202-00650	202-00651	202-00337	202-01161	202-00338	202-00339
	77-82	202-00652	202-01162	202-00653	202-00654	202-00340	202-01163	202-00341	202-00342

\* ZA 72 Certificate SKG\*\*



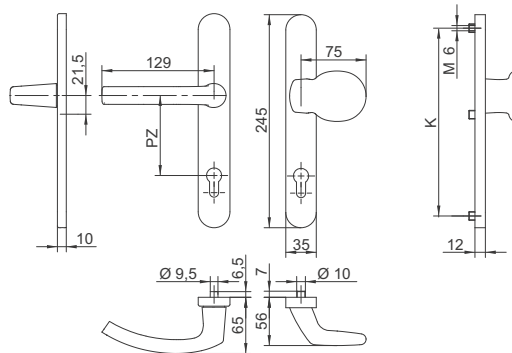
**35/2000 G1 SKG\*\*\***

Set consisting of door grip and fixed knob G1 type, with an external complete plate, with steel sockets with M6 thread, with internal plate of ZnAl alloy fitted with mechanism assisting movement of the handle, covered with a cap, M6 screws, 8 mm square spindle



PZ	TS	Colour				Colour			
		9016	8077	F1	F9	9016	8077	F1	F9
Mounting spacing K		210				216			
PZ 55	67-72	202-00661	202-01164	202-00662	202-00663	202-00655	202-01165	202-00656	202-00657
	77-82	202-00664	202-01166	202-00665	202-00666	202-00658	202-01167	202-00659	202-00660
PZ 72*	67-72	202-00667	202-01168	202-00668	202-00669	202-00343	202-01169	202-00344	202-00345
	77-82	202-00670	202-01170	202-00671	202-00672	202-00346	202-01171	202-00347	202-00348
PZ 92	67-72	202-00673	202-01172	202-00674	202-00675	202-00349	202-01173	202-00350	202-00351
	77-82	202-00676	202-01174	202-00677	202-00678	202-00352	202-01175	202-00353	202-00354

\* PZ 72 Certificate SKG\*\*



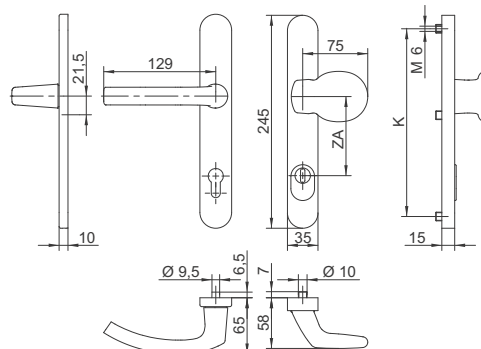
**35/2000 G1 ZA SKG\*\*\***

Set consisting of door grip and fixed knob G1 type, with an external complete plate, with steel sockets with M6 thread, with burglary protection of the lock cylinder, with internal plate of ZnAl alloy fitted with mechanism assisting movement of the handle, covered with a cap, M6 screws, 8 mm square spindle



ZA	TS	Colour				Colour			
		9016	8077	F1	F9	9016	8077	F1	F9
Mounting spacing K		210				216			
ZA 55	67-72	202-00685	202-01176	202-00686	202-00687	202-00679	202-01177	202-00680	202-00681
	77-82	202-00688	202-01178	202-00689	202-00690	202-00682	202-01179	202-00683	202-00684
ZA 72*	67-72	202-00691	202-01180	202-00692	202-00693	202-00355	202-01181	202-00356	202-00357
	77-82	202-00694	202-01182	202-00695	202-00696	202-00358	202-01183	202-00359	202-00360
ZA 92	67-72	202-00697	202-01184	202-00698	202-00699	202-00361	202-01185	202-00362	202-00363
	77-82	202-00700	202-01186	202-00701	202-00702	202-00364	202-01187	202-00365	202-00366

\* ZA 72 Certificate SKG\*\*



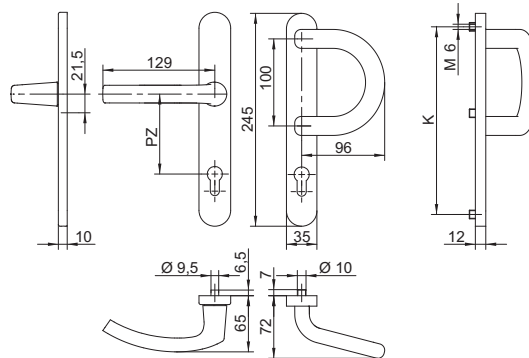
**35/2000 P SKG\*\*\***

Set consisting of door grip and handrail P type, with an external complete plate, with steel sockets with M6 thread, with internal plate of ZnAl alloy fitted with mechanism assisting movement of the handle, covered with a cap, M6 screws, 8 mm square spindle



PZ	TS	Colour				Colour			
		9016	8077	F1	F9	9016	8077	F1	F9
Mounting spacing K		210				216			
PZ 72*	67-72	202-00715	202-01188	202-00716	202-00717	202-00367	202-01189	202-00368	202-00369
	77-82	202-00718	202-01190	202-00719	202-00720	202-00370	202-01191	202-00371	202-00372
PZ 92	67-72	202-00721	202-01192	202-00722	202-00723	202-00373	202-01193	202-00374	202-00375
	77-82	202-00724	202-01194	202-00725	202-00726	202-00376	202-01195	202-00377	202-00378

\* PZ 72 Certificate SKG\*\*

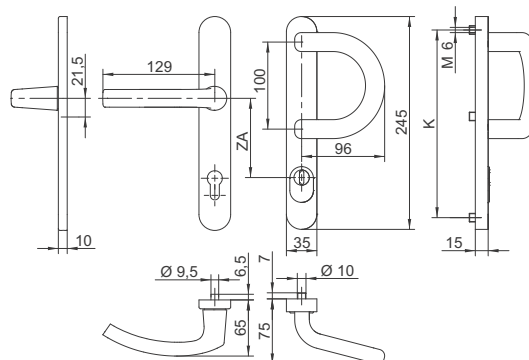


**35/2000 P ZA SKG\*\*\***

Set consisting of door grip and handrail P type, with an external complete plate, with steel sockets with M6 thread, with burglary protection of the lock cylinder, with internal plate of ZnAl alloy fitted with mechanism assisting movement of the handle, covered with a cap, M6 screws, 8 mm square spindle



ZA	TS	Colour				Colour			
		9016	8077	F1	F9	9016	8077	F1	F9
Mounting spacing K		210				216			
ZA 92	67-72	202-00745	202-01196	202-00746	202-00747	202-00385	202-01197	202-00386	202-00387
	77-82	202-00748	202-01198	202-00749	202-00750	202-00388	202-01199	202-00389	202-00390





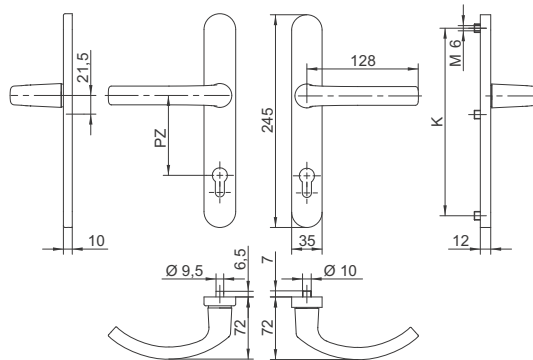
**35/2200 SKG\*\*\***

Set of door grips with an external complete plate, with steel sockets with M6 thread, with internal plate of ZnAl alloy fitted with mechanism assisting movement of the handle, covered with a cap, M6 screws, 8 mm square spindle



PZ	TS	Colour				Colour			
		9016	8077	F1	F9	9016	8077	F1	F9
Mounting spacing K		210				216			
PZ 55	67-72	202-00805	202-01224	202-00806	202-00807	202-00799	202-01225	202-00800	202-00801
	77-82	202-00808	202-01226	202-00809	202-00810	202-00802	202-01227	202-00803	202-00804
PZ 72*	67-72	202-00811	202-01228	202-00812	202-00813	202-00391	202-01229	202-00392	202-00393
	77-82	202-00814	202-01230	202-00815	202-00816	202-00394	202-01231	202-00395	202-00396
PZ 92	67-72	202-00817	202-01232	202-00818	202-00819	202-00397	202-01233	202-00398	202-00399
	77-82	202-00820	202-01234	202-00821	202-00822	202-00400	202-01235	202-00401	202-00402

\* PZ 72 Certificate SKG\*\*



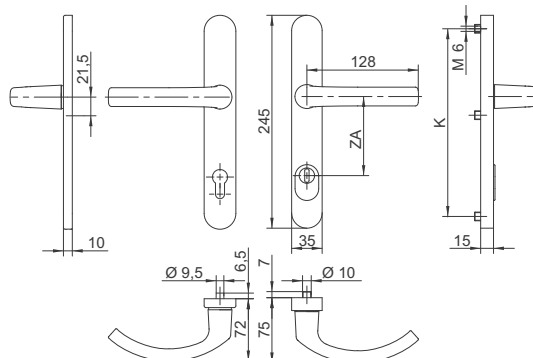
**35/2200 ZA SKG\*\*\***

Set of door grips with an external complete plate, with steel sockets with M6 thread, with burglary protection of the lock cylinder, with internal plate of ZnAl alloy fitted with mechanism assisting movement of the handle, covered with a cap, M6 screws, 8 mm square spindle



ZA	TS	Colour				Colour			
		9016	8077	F1	F9	9016	8077	F1	F9
Mounting spacing K		210				216			
ZA 55	67-72	202-00829	202-01236	202-00830	202-00831	202-00823	202-01237	202-00824	202-00825
	77-82	202-00832	202-01238	202-00833	202-00834	202-00826	202-01239	202-00827	202-00828
ZA 72*	67-72	202-00835	202-01240	202-00836	202-00837	202-00403	202-01241	202-00404	202-00405
	77-82	202-00838	202-01242	202-00839	202-00840	202-00406	202-01243	202-00407	202-00408
ZA 92	67-72	202-00841	202-01244	202-00842	202-00843	202-00409	202-01245	202-00410	202-00411
	77-82	202-00844	202-01246	202-00845	202-00846	202-00412	202-01247	202-00413	202-00414

\* ZA 72 Certificate SKG\*\*



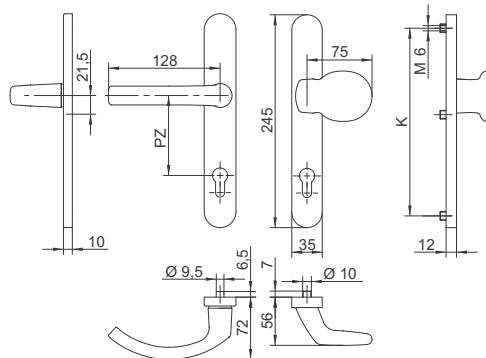
35/2200 G1 SKG\*\*\*

Set consisting of door grip and fixed knob G1 type, with an external complete plate, with steel sockets with M6 thread, with internal plate of ZnAl alloy fitted with mechanism assisting movement of the handle, covered with a cap, M6 screws, 8 mm square spindle



PZ	TS	Colour				Colour			
		9016	8077	F1	F9	9016	8077	F1	F9
Mounting spacing K		210				216			
PZ 55	67-72	202-00853	202-01248	202-00854	202-00855	202-00847	202-01249	202-00848	202-00849
	77-82	202-00856	202-01250	202-00857	202-00858	202-00850	202-01251	202-00851	202-00852
PZ 72*	67-72	202-00859	202-01252	202-00860	202-00861	202-00415	202-01253	202-00416	202-00417
	77-82	202-00862	202-01254	202-00863	202-00864	202-00418	202-01255	202-00419	202-00420
PZ 92	67-72	202-00865	202-01256	202-00866	202-00867	202-00421	202-01257	202-00422	202-00423
	77-82	202-00868	202-01258	202-00869	202-00870	202-00424	202-01259	202-00425	202-00426

\* PZ 72 Certificate SKG\*\*



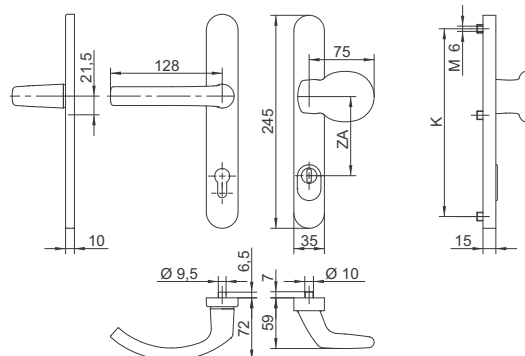
35/2200 G1 ZA SKG\*\*\*

Set consisting of door grip and fixed knob G1 type, with an external complete plate, with steel sockets with M6 thread, with burglary protection of the lock cylinder, with internal plate of ZnAl alloy fitted with mechanism assisting movement of the handle, covered with a cap, M6 screws, 8 mm square spindle



ZA	TS	Colour				Colour			
		9016	8077	F1	F9	9016	8077	F1	F9
Mounting spacing K		210				216			
ZA 55	67-72	202-00877	202-01260	202-00878	202-00879	202-00871	202-01261	202-00872	202-00873
	77-82	202-00880	202-01262	202-00881	202-00882	202-00874	202-01263	202-00875	202-00876
ZA 72*	67-72	202-00883	202-01264	202-00884	202-00885	202-00427	202-01265	202-00428	202-00429
	77-82	202-00886	202-01266	202-00887	202-00888	202-00430	202-01267	202-00431	202-00432
ZA 92	67-72	202-00889	202-01268	202-00890	202-00891	202-00433	202-01269	202-00434	202-00435
	77-82	202-00892	202-01270	202-00893	202-00894	202-00436	202-01271	202-00437	202-00438

\* ZA 72 Certificate SKG\*\*



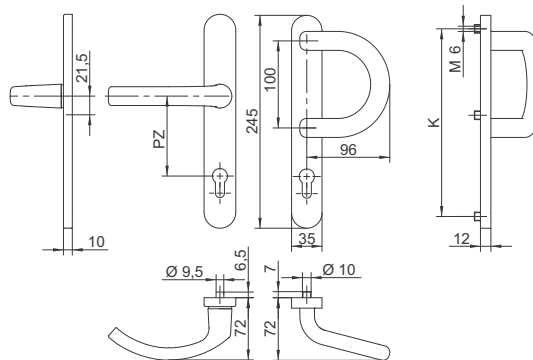
**35/2200 P SKG\*\*\***

Set consisting of door grip and handrail P type, with an external complete plate, with steel sockets with M6 thread, with internal plate of ZnAl alloy fitted with mechanism assisting movement of the handle, covered with a cap, M6 screws, 8 mm square spindle



PZ	TS	Colour				Colour			
		9016	8077	F1	F9	9016	8077	F1	F9
Mounting spacing K		210				216			
PZ 72*	67-72	202-00907	202-01272	202-00908	202-00909	202-00439	202-01273	202-00440	202-00441
	77-82	202-00910	202-01274	202-00911	202-00912	202-00442	202-01275	202-00443	202-00444
PZ 92	67-72	202-00913	202-01276	202-00914	202-00915	202-00445	202-01277	202-00446	202-00447
	77-82	202-00916	202-01278	202-00917	202-00918	202-00448	202-01279	202-00449	202-00450

\* PZ 72 Certificate SKG\*\*

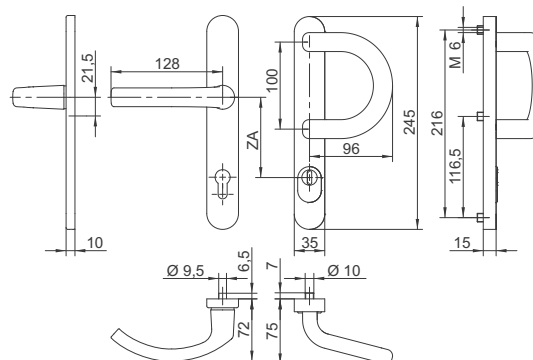


**35/2200 P ZA SKG\*\*\***

Set consisting of door grip and handrail P type, with an external complete plate, with steel sockets with M6 thread, with burglary protection of the lock cylinder, with internal plate of ZnAl alloy fitted with mechanism assisting movement of the handle, covered with a cap, M6 screws, 8 mm square spindle



ZA	TS	Colour				Colour			
		9016	8077	F1	F9	9016	8077	F1	F9
Mounting spacing K		210				216			
ZA 92	67-72	202-00937	202-01280	202-00938	202-00939	202-00457	202-01281	202-00458	202-00459
	77-82	202-00940	202-01282	202-00941	202-00942	202-00460	202-01283	202-00461	202-00462

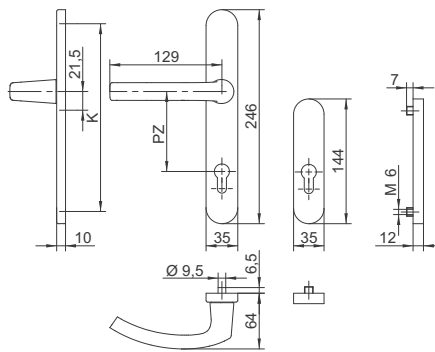


35/144/2000

Set consisting of internal door grip with a plate of ZnAl alloy fitted with a mechanism assisting movement of the handle, covered with a cap and external plate, short, with steel sockets with M6 thread, M6 screws, 8 mm square spindle



PZ	TS	Colour				Colour			
		9016	8077	F1	F9	9016	8077	F1	F9
Mounting spacing K		210				216			
PZ 55	67-72	202-00751	202-01200	202-00752	202-00753	202-00754	202-01201	202-00755	202-00756
	77-82	202-00757	202-01202	202-00758	202-00759	202-00760	202-01203	202-00761	202-00762
PZ 72	67-72	202-00001	202-01204	202-00002	202-00003	202-00004	202-01205	202-00005	202-00006
	77-82	202-00007	202-01206	202-00008	202-00009	202-00010	202-01207	202-00011	202-00012
PZ 92	67-72	202-00013	202-01208	202-00014	202-00015	202-00016	202-01209	202-00017	202-00018
	77-82	202-00019	202-01210	202-00020	202-00021	202-00022	202-01211	202-00023	202-00024

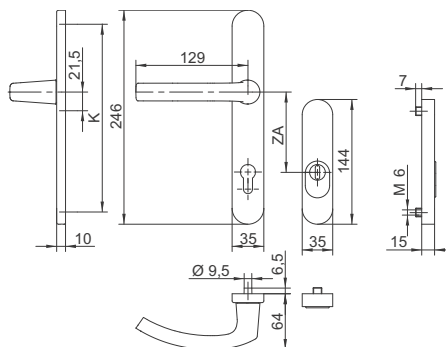


35/144/2000 ZA

Set consisting of internal door grip with a plate of ZnAl alloy fitted with a mechanism assisting movement of the handle, covered with a cap and external plate, short, with steel sockets with M6 thread, with burglary protection of the lock cylinder, M6 screws, 8 mm square spindle



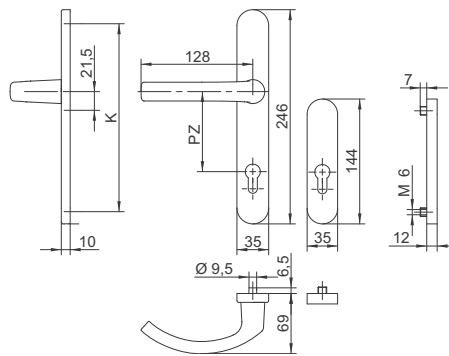
ZA	TS	Colour				Colour			
		9016	8077	F1	F9	9016	8077	F1	F9
Mounting spacing K		210				216			
ZA 55	67-72	202-00763	202-01212	202-00764	202-00765	202-00766	202-01213	202-00767	202-00768
	77-82	202-00769	202-01214	202-00770	202-00771	202-00772	202-01215	202-00773	202-00774
ZA 72	67-72	202-00025	202-01216	202-00026	202-00027	202-00028	202-01217	202-00029	202-00030
	77-82	202-00031	202-01218	202-00032	202-00033	202-00034	202-01219	202-00035	202-00036
ZA 92	67-72	202-00037	202-01220	202-00038	202-00039	202-00040	202-01221	202-00041	202-00042
	77-82	202-00043	202-01222	202-00044	202-00045	202-00046	202-01223	202-00047	202-00048



35/144/2200

A set consists of an internal door grip with a ZnAl alloy plate equipped with a mechanism facilitating the handle movement, covered with a cap, and an external short plate, equipped with steel sockets with M6 thread, M6 screws, 8mm square spindle

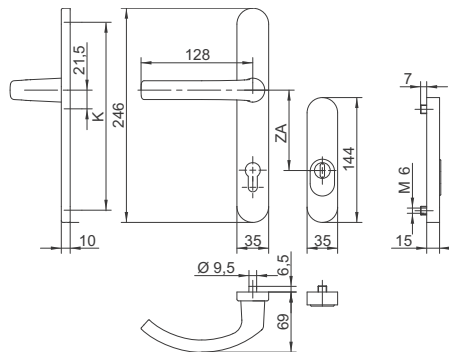
PZ	TS	Colour				Colour			
		9016	8077	F1	F9	9016	8077	F1	F9
Mounting spacing K		210				216			
PZ 55	67-72	202-00775	202-01284	202-00776	202-00777	202-00778	202-01285	202-00779	202-00780
	77-82	202-00781	202-01286	202-00782	202-00783	202-00784	202-01287	202-00785	202-00786
PZ 72	67-72	202-00049	202-01288	202-00050	202-00051	202-00052	202-01289	202-00053	202-00054
	77-82	202-00055	202-01290	202-00056	202-00057	202-00058	202-01291	202-00059	202-00060
PZ 92	67-72	202-00061	202-01292	202-00062	202-00063	202-00064	202-01293	202-00065	202-00066
	77-82	202-00067	202-01294	202-00068	202-00069	202-00070	202-01295	202-00071	202-00072



35/144/2200 ZA

A set consists of an internal door grip with a ZnAl alloy plate equipped with a mechanism facilitating the handle movement, covered with a cap, and an external short plate, equipped with steel sockets with M6 thread and burglary protection of the patent insert, M6 screws, 8mm square spindle

ZA	TS	Colour				Colour			
		9016	8077	F1	F9	9016	8077	F1	F9
Mounting spacing K		210				216			
ZA 55	67-72	202-00787	202-01296	202-00788	202-00789	202-00790	202-01297	202-00791	202-00792
	77-82	202-00793	202-01298	202-00794	202-00795	202-00796	202-01299	202-00797	202-00798
ZA 72	67-72	202-00073	202-01300	202-00074	202-00075	202-00076	202-01301	202-00077	202-00078
	77-82	202-00079	202-01302	202-00080	202-00081	202-00082	202-01303	202-00083	202-00084
ZA 92	67-72	202-00085	202-01304	202-00086	202-00087	202-00088	202-01305	202-00089	202-00090
	77-82	202-00091	202-01306	202-00092	202-00093	202-00094	202-01307	202-00095	202-00096

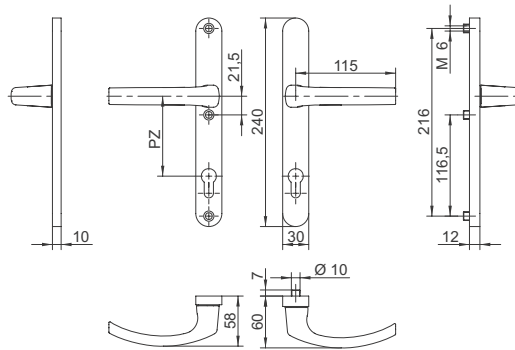


**30/1005 SKG\*\***

Set of door grips with full plates, outdoor plate equipped with steel sockets, M6 thread, M6 screws, 8 mm square spindle



PZ	TS	Colour			
		9016	8077	F1	F9
PZ 72	67-72	202-00115	202-01308	202-00116	202-00117
	77-82	202-00118	202-01309	202-00119	202-00120
PZ 92	67-72	202-00121	202-01310	202-00122	202-00123
	77-82	202-00124	202-01311	202-00125	202-00126

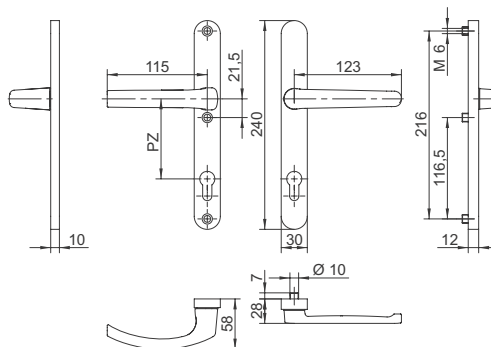


**30/1005 R SKG\*\***

Set consisting of door grip and low grip under shutters, of full plates, external plate is equipped with steel sockets, M6 thread, M6 screws, 8 mm square spindle



PZ	TS	Colour			
		9016	8077	F1	F9
PZ 72	67-72	202-00127	202-01312	202-00128	202-00129
	77-82	202-00130	202-01313	202-00131	202-00132
PZ 92	67-72	202-00133	202-01314	202-00134	202-00135
	77-82	202-00136	202-01315	202-00137	202-00138

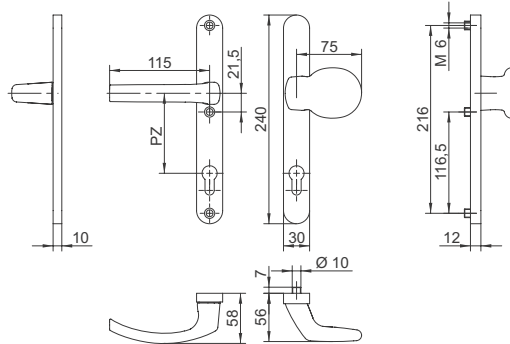


**30/1005 G1 SKG\*\***

Set consisting of door grip and fixed knob G1 type, of full plates, external plate is equipped with steel sockets, M6 thread, M6 screws, 8 mm square spindle



PZ	TS	Colour			
		9016	8077	F1	F9
PZ 72	67-72	202-00139	202-01316	202-00140	202-00141
	77-82	202-00142	202-01317	202-00143	202-00144
PZ 92	67-72	202-00145	202-01318	202-00146	202-00147
	77-82	202-00148	202-01319	202-00149	202-00150

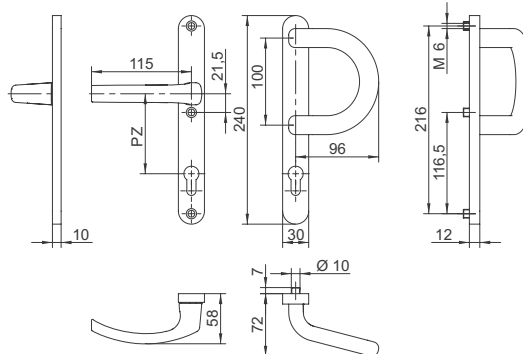


**30/1005 P SKG\*\***

Set consisting of door grip and handrail P type, of full plates, external plate is equipped with steel sockets, M6 thread, M6 screws, 8 mm square spindle



PZ	TS	Colour			
		9016	8077	F1	F9
PZ 72	67-72	202-00151	202-01320	202-00152	202-00153
	77-82	202-00154	202-01321	202-00155	202-00156
PZ 92	67-72	202-00157	202-01322	202-00158	202-00159
	77-82	202-00160	202-01323	202-00161	202-00162

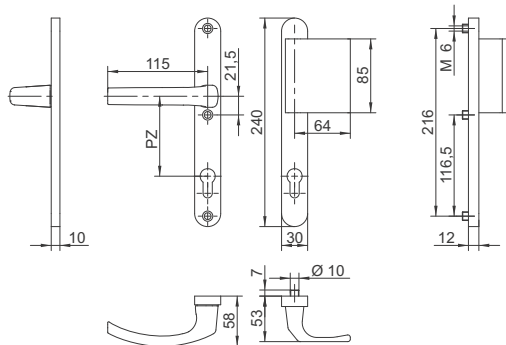


**30/1005 L1 SKG\*\***

Set consisting of door grip and handrail L1 type, of full plates, external plate is equipped with steel sockets, M6 thread, M6 screws, 8 mm square spindle



PZ	TS	Colour			
		9016	8077	F1	F9
PZ 72	67-72	202-00163	202-01324	202-00164	202-00165
	77-82	202-00166	202-01325	202-00167	202-00168
PZ 92	67-72	202-00169	202-01326	202-00170	202-00171
	77-82	202-00172	202-01327	202-00173	202-00174

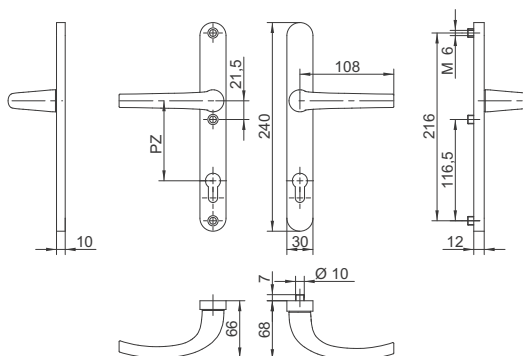


**30/1031 SKG\*\***

Set of door grips with full plates, outdoor plate equipped with steel sockets, M6 thread, M6 screws, 8 mm square spindle



PZ	TS	Colour			
		9016	8077	F1	F9
PZ 72	67-72	202-00943	202-01328	202-00944	202-00945
	77-82	202-00946	202-01329	202-00947	202-00948
PZ 92	67-72	202-00949	202-01330	202-00950	202-00951
	77-82	202-00952	202-01331	202-00953	202-00954



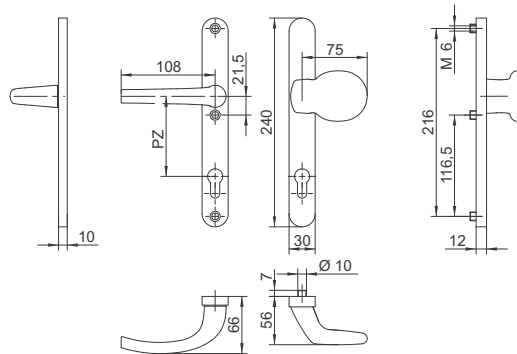


**30/1031 G1 SKG\*\***

Set consisting of door grip and fixed knob G1 type, of full plates, external plate is equipped with steel sockets, M6 thread, M6 screws, 8 mm square spindle



PZ	TS	Colour			
		9016	8077	F1	F9
PZ 72	67-72	202-00955	202-01332	202-00956	202-00957
	77-82	202-00958	202-01333	202-00959	202-00960
PZ 92	67-72	202-00961	202-01334	202-00962	202-00963
	77-82	202-00964	202-01335	202-00965	202-00966

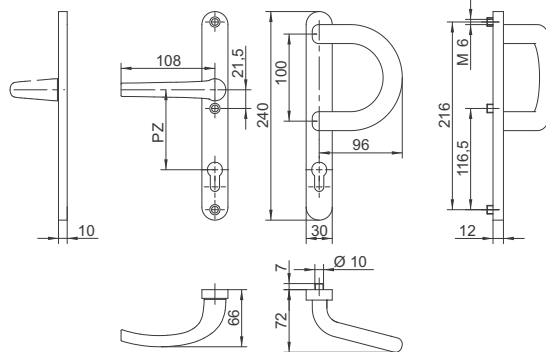


**30/1031 P SKG\*\***

Set consisting of door grip and handrail P type, of full plates, external plate is equipped with steel sockets, M6 thread, M6 screws, 8 mm square spindle



PZ	TS	Colour			
		9016	8077	F1	F9
PZ 72	67-72	202-00967	202-01336	202-00968	202-00969
	77-82	202-00970	202-01337	202-00971	202-00972
PZ 92	67-72	202-00973	202-01338	202-00974	202-00975
	77-82	202-00976	202-01339	202-00977	202-00978

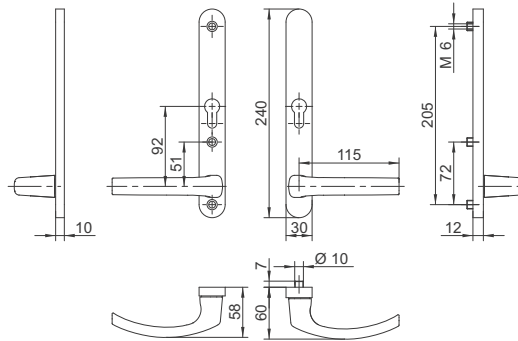


**30 SKG\*\*/1005 SENIOR**

Set of door grips with full plates, with reverse setting of the handle in relation to the lock cylinder, outdoor plate equipped with steel sockets, M6 thread, M6 screws, 8 mm square spindle



PZ	TS	Colour							
		9016	8077	F1	F9				
PZ 92	67-72	202-00097	202-01340	202-00098	202-00099				
	77-82	202-00100	202-01341	202-00101	202-00102				

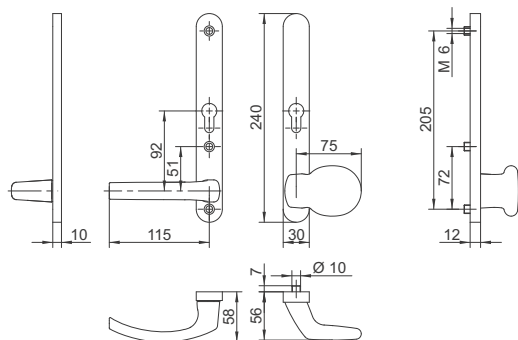


**30 SKG\*\*/1005 G1 SENIOR**

Set consisting of door grip and fixed knob G1 type, of full plates, with reverse setting of the handle in relation to the lock cylinder, external plate is equipped with steel sockets, M6 thread, M6 screws, 8 mm square spindle



PZ	TS	Colour							
		9016	8077	F1	F9				
PZ 92	67-72	202-00109	202-01342	202-00110	202-00111				
	77-82	202-00112	202-01343	202-00113	202-00114				







ANTI-BURGLARY DOOR HANDLES

**52A/1200**

Set of door holds, with plates of ZnAl alloy, outer with steel sockets with M6 thread, with hardened steel insert, internal equipped with a mechanism assisting the movement of handle, covered with oval masking caps, M6 screws, 8 mm square spindle

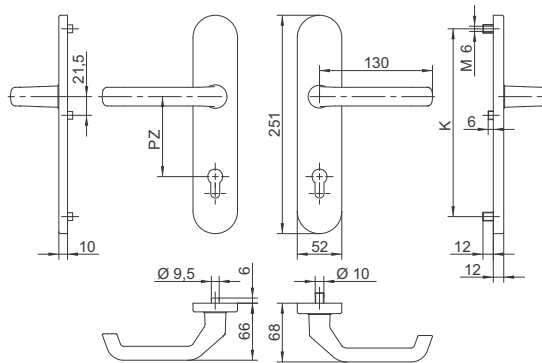
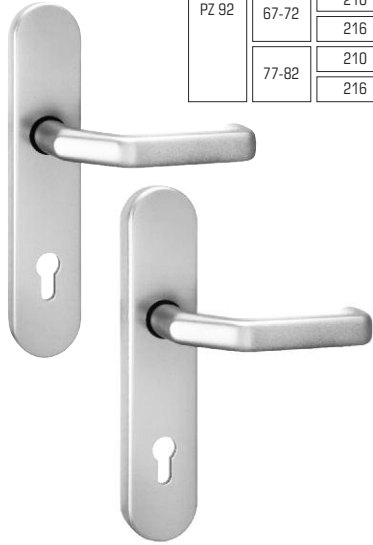


DIN 18257 ES1



PN-EN 1906:2012

PZ	TS	Mounting spacing K	Colour									
			9016	8019	8077	F1	F3	F4	F9	ES		
PZ 72	67-72	210	204-00001	204-00002	204-02334	204-00003	204-00004	204-00005	204-00006	204-00007		
		216	204-00015	204-00016	204-02335	204-00017	204-00018	204-00019	204-00020	204-00021		
	77-82	210	204-00008	204-00009	204-02336	204-00010	204-00011	204-00012	204-00013	204-00014		
		216	204-00022	204-00023	204-02337	204-00024	204-00025	204-00026	204-00027	204-00028		
PZ 92	67-72	210	204-00029	204-00030	204-02338	204-00031	204-00032	204-00033	204-00034	204-00035		
		216	204-00043	204-00044	204-02339	204-00045	204-00046	204-00047	204-00048	204-00049		
	77-82	210	204-00036	204-00037	204-02340	204-00038	204-00039	204-00040	204-00041	204-00042		
		216	204-00050	204-00051	204-02341	204-00052	204-00053	204-00054	204-00055	204-00056		



**52A/1200 ZA**

Set of door holds, with plates of ZnAl alloy, outer with steel sockets with M6 thread, with burglar protection of lock cylinder, internal equipped with a mechanism assisting the movement of handle, covered with oval masking caps, M6 screws, 8 mm square spindle

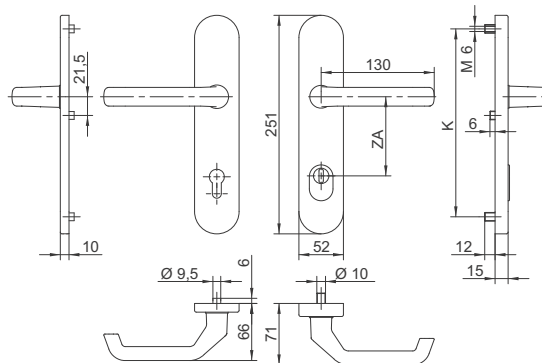


DIN 18257 ES1



PN-EN 1906:2012

ZA	TS	Mounting spacing K	Colour									
			9016	8019	8077	F1	F3	F4	F9	ES		
ZA 72	67-72	210	204-00057	204-00058	204-02342	204-00059	204-00060	204-00061	204-00062	204-00063		
		216	204-00071	204-00072	204-02343	204-00073	204-00074	204-00075	204-00076	204-00077		
	77-82	210	204-00064	204-00065	204-02344	204-00066	204-00067	204-00068	204-00069	204-00070		
		216	204-00078	204-00079	204-02345	204-00080	204-00081	204-00082	204-00083	204-00084		
ZA 92	67-72	210	204-00085	204-00086	204-02346	204-00087	204-00088	204-00089	204-00090	204-00091		
		216	204-00099	204-00100	204-02347	204-00101	204-00102	204-00103	204-00104	204-00105		
	77-82	210	204-00092	204-00093	204-02348	204-00094	204-00095	204-00096	204-00097	204-00098		
		216	204-00106	204-00107	204-02349	204-00108	204-00109	204-00110	204-00111	204-00112		



**52A/1200 P**

The set consists of door grip and type P handrail, of ZnAl alloy plates, outer with hardened steel insert, internal equipped with mechanism facilitating handle movement, covered with oval masking caps, M6 screws, 8 mm square spindle

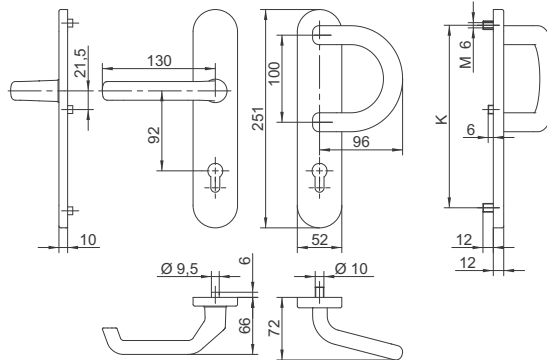


DIN 18257 ES1



PN-EN 1906:2012

TS	Mounting spacing K	Colour								
		9016	8019	8077	F1	F3	F4	F9	ES	
67-72	210	204-00253	204-00254	204-02350	204-00255	204-00256	204-00257	204-00258	204-00259	
	216	204-00267	204-00268	204-02351	204-00269	204-00270	204-00271	204-00272	204-00273	
77-82	210	204-00260	204-00261	204-02352	204-00262	204-00263	204-00264	204-00265	204-00266	
	216	204-00274	204-00275	204-02353	204-00276	204-00277	204-00278	204-00279	204-00280	



**52A/1200 P ZA**

The set consists of door grip and type P handrail, of ZnAl alloy plates, outer with burglar protection of lock cylinder, internal equipped with mechanism facilitating handle movement, covered with oval masking caps, M6 screws, 8 mm square spindle

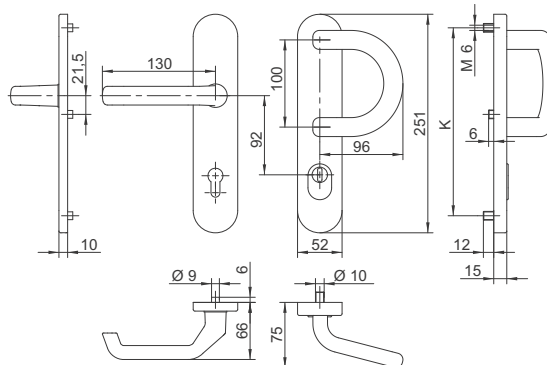


DIN 18257 ES1



PN-EN 1906:2012

TS	Mounting spacing K	Colour								
		9016	8019	8077	F1	F3	F4	F9	ES	
67-72	210	204-00309	204-00310	204-02354	204-00311	204-00312	204-00313	204-00314	204-00315	
	216	204-00323	204-00324	204-02355	204-00325	204-00326	204-00327	204-00328	204-00329	
77-82	210	204-00316	204-00317	204-02356	204-00318	204-00319	204-00320	204-00321	204-00322	
	216	204-00330	204-00331	204-02357	204-00332	204-00333	204-00334	204-00335	204-00336	



**52A/1200 G1**

The set consists of door grip and fixed knob G1 type, of ZnAl alloy plates, outer with hardened steel insert, internal equipped with mechanism facilitating handle movement, covered with oval masking caps, M6 screws, 8 mm square spindle

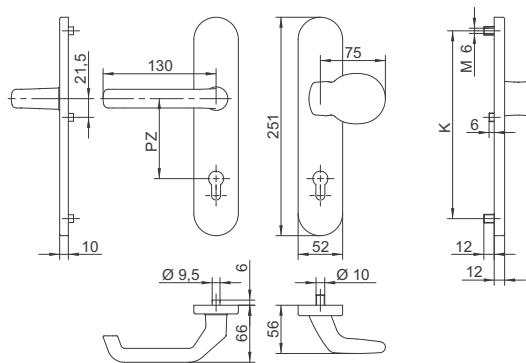


DIN 18257 ES1



PN-EN 1906:2012

PZ	TS	Mounting spacing K	Colour									
			9016	8019	8077	F1	F3	F4	F9	ES		
PZ 72	67-72	210	204-00449	204-00450	204-02358	204-00451	204-00452	204-00453	204-00454	204-00455		
		216	204-00463	204-00464	204-02359	204-00465	204-00466	204-00467	204-00468	204-00469		
	77-82	210	204-00456	204-00457	204-02360	204-00458	204-00459	204-00460	204-00461	204-00462		
		216	204-00470	204-00471	204-02361	204-00472	204-00473	204-00474	204-00475	204-00476		
PZ 92	67-72	210	204-00477	204-00478	204-02362	204-00479	204-00480	204-00481	204-00482	204-00483		
		216	204-00491	204-00492	204-02363	204-00493	204-00494	204-00495	204-00496	204-00497		
	77-82	210	204-00484	204-00485	204-02364	204-00486	204-00487	204-00488	204-00489	204-00490		
		216	204-00498	204-00499	204-02365	204-00500	204-00501	204-00502	204-00503	204-00504		



**52A/1200 G1 ZA**

The set consists of door grip and fixed knob G1 type, of ZnAl alloy plates, outer with burglar protection of lock cylinder, internal equipped with mechanism facilitating handle movement, covered with oval masking caps, M6 screws, 8 mm square spindle

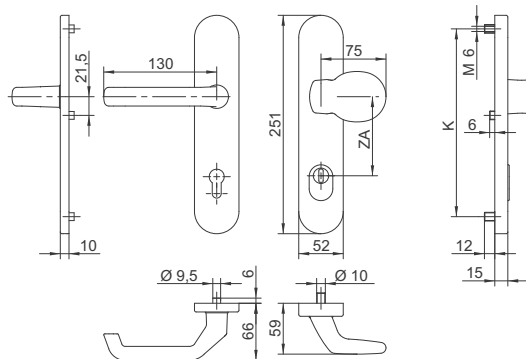


DIN 18257 ES1



PN-EN 1906:2012

ZA	TS	Mounting spacing K	Colour									
			9016	8019	8077	F1	F3	F4	F9	ES		
ZA 72	67-72	210	204-00505	204-00506	204-02366	204-00507	204-00508	204-00509	204-00510	204-00511		
		216	204-00519	204-00520	204-02367	204-00521	204-00522	204-00523	204-00524	204-00525		
	77-82	210	204-00512	204-00513	204-02368	204-00514	204-00515	204-00516	204-00517	204-00518		
		216	204-00526	204-00527	204-02369	204-00528	204-00529	204-00530	204-00531	204-00532		
ZA 92	67-72	210	204-00533	204-00534	204-02370	204-00535	204-00536	204-00537	204-00538	204-00539		
		216	204-00547	204-00548	204-02371	204-00549	204-00550	204-00551	204-00552	204-00553		
	77-82	210	204-00540	204-00541	204-02372	204-00542	204-00543	204-00544	204-00545	204-00546		
		216	204-00554	204-00555	204-02373	204-00556	204-00557	204-00558	204-00559	204-00560		



**52A/1200 E**

Set of door grips, with plates of ZnAl alloy, outer with steel sockets with M6 thread, with hardened steel insert, internal equipped with a mechanism assisting the movement of handle, covered with rectangular masking caps, M6 screws, 8 mm square spindle

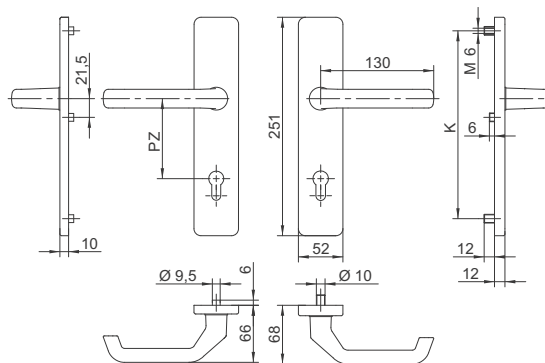
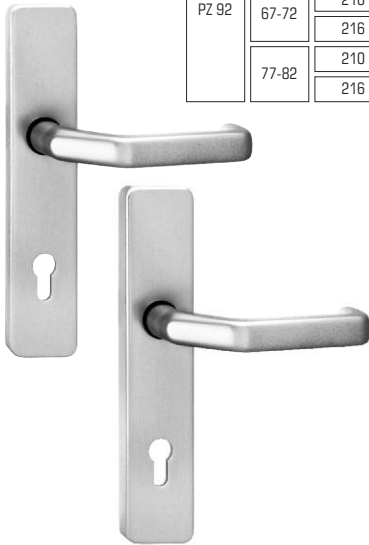


DIN 18257 ES1



PN-EN 1906:2012

PZ	TS	Mounting spacing K	Colour									
			9016	8019	8077	F1	F3	F4	F9	ES		
PZ 72	67-72	210	204-00113	204-00114	204-02374	204-00115	204-00116	204-00117	204-00118	204-00119		
		216	204-00127	204-00128	204-02375	204-00129	204-00130	204-00131	204-00132	204-00133		
	77-82	210	204-00120	204-00121	204-02376	204-00122	204-00123	204-00124	204-00125	204-00126		
		216	204-00134	204-00135	204-02377	204-00136	204-00137	204-00138	204-00139	204-00140		
PZ 92	67-72	210	204-00141	204-00142	204-02378	204-00143	204-00144	204-00145	204-00146	204-00147		
		216	204-00155	204-00156	204-02379	204-00157	204-00158	204-00159	204-00160	204-00161		
	77-82	210	204-00148	204-00149	204-02380	204-00150	204-00151	204-00152	204-00153	204-00154		
		216	204-00162	204-00163	204-02381	204-00164	204-00165	204-00166	204-00167	204-00168		



**52A/1200 ZA E**

Set of door grips, with plates of ZnAl alloy, outer with steel sockets with M6 thread, with burglar protection of lock cylinder, internal equipped with a mechanism assisting the movement of handle, covered with rectangular masking caps, M6 screws, 8 mm square spindle

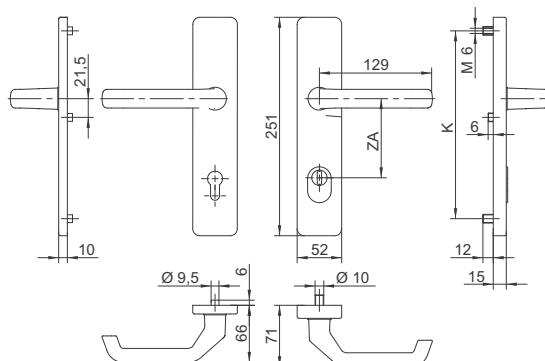


DIN 18257 ES1



PN-EN 1906:2012

ZA	TS	Mounting spacing K	Colour									
			9016	8019	8077	F1	F3	F4	F9	ES		
ZA 72	67-72	210	204-00169	204-00170	204-02382	204-00171	204-00172	204-00173	204-00174	204-00175		
		216	204-00183	204-00184	204-02383	204-00185	204-00186	204-00187	204-00188	204-00189		
	77-82	210	204-00176	204-00177	204-02384	204-00178	204-00179	204-00180	204-00181	204-00182		
		216	204-00190	204-00191	204-02385	204-00192	204-00193	204-00194	204-00195	204-00196		
ZA 92	67-72	210	204-00197	204-00198	204-02386	204-00199	204-00200	204-00201	204-00202	204-00203		
		216	204-00211	204-00212	204-02387	204-00213	204-00214	204-00215	204-00216	204-00217		
	77-82	210	204-00204	204-00205	204-02388	204-00206	204-00207	204-00208	204-00209	204-00210		
		216	204-00218	204-00219	204-02389	204-00220	204-00221	204-00222	204-00223	204-00224		





**52A/1200 P E**

The set consists of door grip and type P handrail, of ZnAl alloy plates, outer with hardened steel insert, internal equipped with mechanism facilitating handle movement, covered with rectangular masking caps, M6 screws, 8 mm square spindle

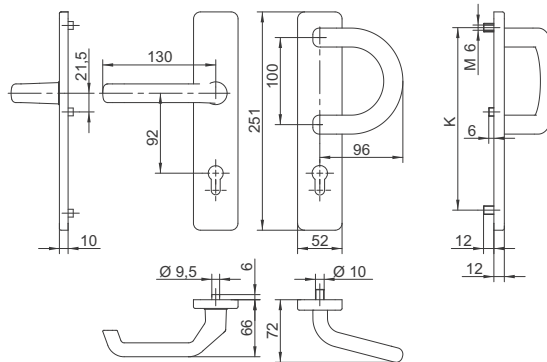


DIN 18257 ES1



PN-EN 1906:2012

TS	Mounting spacing K	Colour								
		9016	8019	8077	F1	F3	F4	F9	ES	
67-72	210	204-00365	204-00366	204-02390	204-00367	204-00368	204-00369	204-00370	204-00371	
	216	204-00379	204-00380	204-02391	204-00381	204-00382	204-00383	204-00384	204-00385	
77-82	210	204-00372	204-00373	204-02392	204-00374	204-00375	204-00376	204-00377	204-00378	
	216	204-00386	204-00387	204-02393	204-00388	204-00389	204-00390	204-00391	204-00392	



**52A/1200 P ZA E**

The set consists of door grip and type handrail, of ZnAl alloy plates, outer with burglar protection of lock cylinder, internal equipped with mechanism facilitating handle movement, covered with rectangular masking caps, M6 screws, 8 mm square spindle

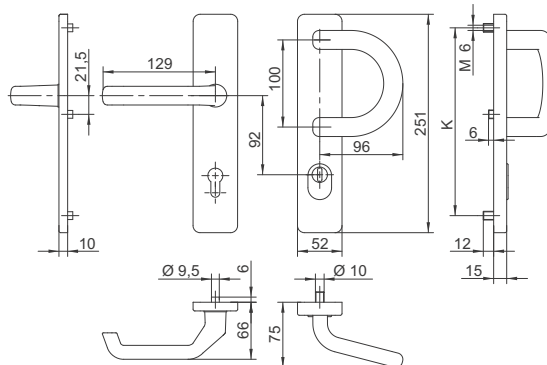
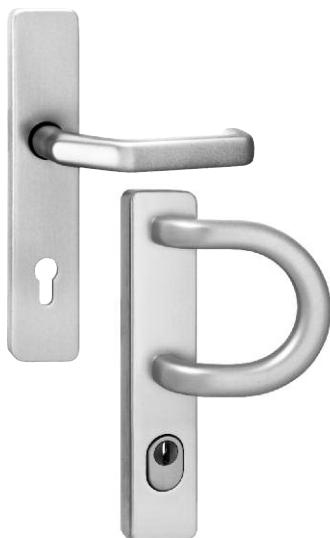


DIN 18257 ES1



PN-EN 1906:2012

TS	Mounting spacing K	Colour								
		9016	8019	8077	F1	F3	F4	F9	ES	
67-72	210	204-00421	204-00422	204-02394	204-00423	204-00424	204-00425	204-00426	204-00427	
	216	204-00435	204-00436	204-02395	204-00437	204-00438	204-00439	204-00440	204-00441	
77-82	210	204-00428	204-00429	204-02396	204-00430	204-00431	204-00432	204-00433	204-00434	
	216	204-00442	204-00443	204-02397	204-00444	204-00445	204-00446	204-00447	204-00448	





**52A/2200**

Set of door grips, with plates of ZnAl alloy, outer with steel sockets with M6 thread, with hardened steel insert, internal equipped with a mechanism assisting the movement of handle, covered with oval masking caps, M6 screws, 8 mm square spindle

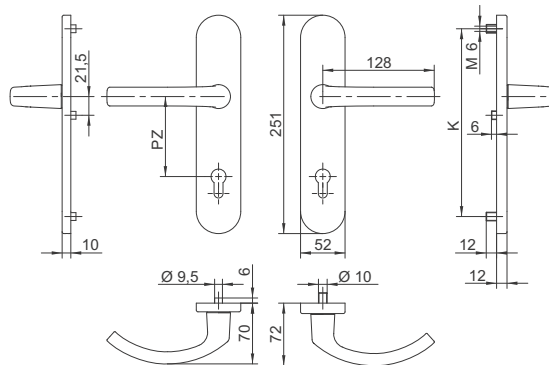
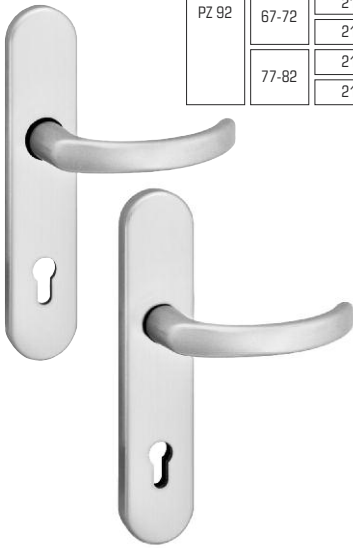


DIN 18257 ES1



PN-EN 1906:2012

PZ	TS	Mounting spacing K	Colour							
			9016	8019	8077	F1	F3	F4	F9	
PZ 72	67-72	210	204-01609	204-01610	204-02414	204-01611	204-01612	204-01613	204-01614	
		216	204-01615	204-01616	204-02415	204-01617	204-01618	204-01619	204-01620	
	77-82	210	204-01621	204-01622	204-02416	204-01623	204-01624	204-01625	204-01626	
		216	204-01627	204-01628	204-02417	204-01629	204-01630	204-01631	204-01632	
PZ 92	67-72	210	204-01633	204-01634	204-02418	204-01635	204-01636	204-01637	204-01638	
		216	204-01639	204-01640	204-02419	204-01641	204-01642	204-01643	204-01644	
	77-82	210	204-01645	204-01646	204-02420	204-01647	204-01648	204-01649	204-01650	
		216	204-01651	204-01652	204-02421	204-01653	204-01654	204-01655	204-01656	



**52A/2200 ZA**

Set of door holds, with plates of ZnAl alloy, outer with steel sockets with M6 thread, with burglar protection of lock cylinder, internal equipped with a mechanism assisting the movement of handle, covered with oval masking caps, M6 screws, 8 mm square spindle

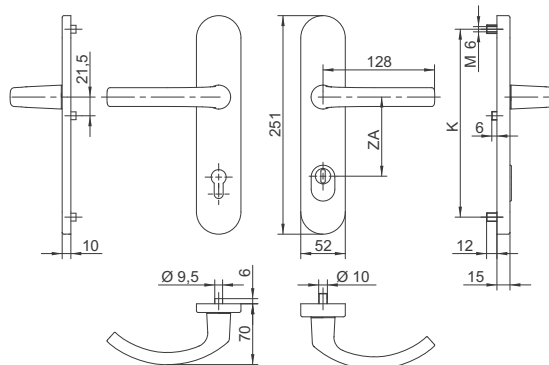


DIN 18257 ES1



PN-EN 1906:2012

ZA	TS	Mounting spacing K	Colour							
			9016	8019	8077	F1	F3	F4	F9	
ZA 72	67-72	210	204-01657	204-01658	204-02422	204-01659	204-01660	204-01661	204-01662	
		216	204-01663	204-01664	204-02423	204-01665	204-01666	204-01667	204-01668	
	77-82	210	204-01669	204-01670	204-02424	204-01671	204-01672	204-01673	204-01674	
		216	204-01675	204-01676	204-02425	204-01677	204-01678	204-01679	204-01680	
ZA 92	67-72	210	204-01681	204-01682	204-02426	204-01683	204-01684	204-01685	204-01686	
		216	204-01687	204-01688	204-02427	204-01689	204-01690	204-01691	204-01692	
	77-82	210	204-01693	204-01694	204-02428	204-01695	204-01696	204-01697	204-01698	
		216	204-01699	204-01700	204-02429	204-01701	204-01702	204-01703	204-01704	



**52A/2200 V**

The set consists of door grip and type V handrail, of ZnAl alloy plates, outer with hardened steel insert, internal equipped with mechanism facilitating handle movement, covered with oval masking caps, M6 screws, 8 mm square spindle

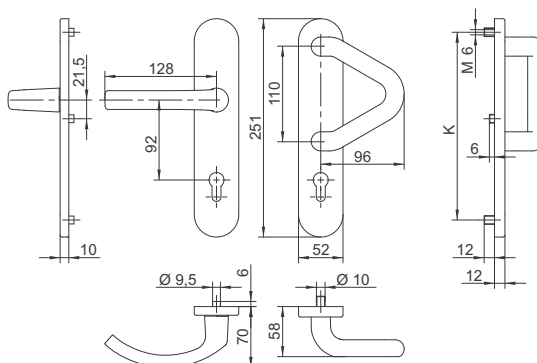


DIN 18257 ES1



PN-EN 1906:2012

TS	Mounting spacing K	Colour								
		9016	8019	8077	F1	F3	F4	F9		
67-72	210	204-01825	204-01826	204-02430	204-01827	204-01828	204-01829	204-01830		
	216	204-01831	204-01832	204-02431	204-01833	204-01834	204-01835	204-01836		
77-82	210	204-01837	204-01838	204-02432	204-01839	204-01840	204-01841	204-01842		
	216	204-01843	204-01844	204-02433	204-01845	204-01846	204-01847	204-01848		



**52A/2200 P ZA**

The set consists of door grip and type P handrail, of ZnAl alloy plates, outer with burglar protection of lock cylinder, internal equipped with mechanism facilitating handle movement, covered with oval masking caps, M6 screws, 8 mm square spindle

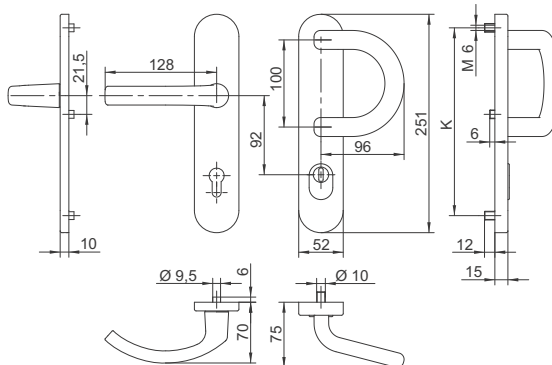


DIN 18257 ES1



PN-EN 1906:2012

TS	Mounting spacing K	Colour								
		9016	8019	8077	F1	F3	F4	F9		
67-72	210	204-01873	204-01874	204-02434	204-01875	204-01876	204-01877	204-01878		
	216	204-01879	204-01880	204-02435	204-01881	204-01882	204-01883	204-01884		
77-82	210	204-01885	204-01886	204-02436	204-01887	204-01888	204-01889	204-01890		
	216	204-01891	204-01892	204-02437	204-01893	204-01894	204-01895	204-01896		



**52A/2200 G1**

The set consists of door grip and fixed knob G1 type, of ZnAl alloy plates, outer with hardened steel insert, internal equipped with mechanism facilitating handle movement, covered with oval masking caps, M6 screws, 8 mm square spindle

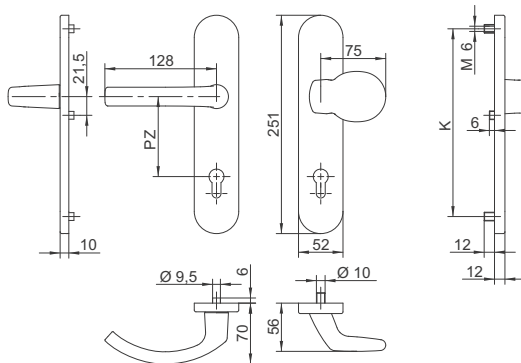


DIN 18257 ES1



PN-EN 1906:2012

PZ	TS	Mounting spacing K	Colour								
			9016	8019	8077	F1	F3	F4	F9		
PZ 72	67-72	210	204-01705	204-01706	204-02438	204-01707	204-01708	204-01709	204-01710		
		216	204-01711	204-01712	204-02439	204-01713	204-01714	204-01715	204-01716		
	77-82	210	204-01717	204-01718	204-02440	204-01719	204-01720	204-01721	204-01722		
		216	204-01723	204-01724	204-02441	204-01725	204-01726	204-01727	204-01728		
PZ 92	67-72	210	204-01729	204-01730	204-02442	204-01731	204-01732	204-01733	204-01734		
		216	204-01735	204-01736	204-02443	204-01737	204-01738	204-01739	204-01740		
	77-82	210	204-01741	204-01742	204-02444	204-01743	204-01744	204-01745	204-01746		
		216	204-01747	204-01748	204-02445	204-01749	204-01750	204-01751	204-01752		



**52A/2200 G1 ZA**

The set consists of door grip and fixed knob G1 type, of ZnAl alloy plates, outer with burglar protection of lock cylinder, internal equipped with mechanism facilitating handle movement, covered with oval masking caps, M6 screws, 8 mm square spindle

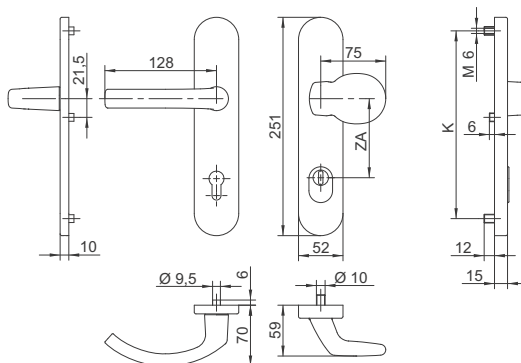


DIN 18257 ES1



PN-EN 1906:2012

ZA	TS	Mounting spacing K	Colour								
			9016	8019	8077	F1	F3	F4	F9		
ZA 72	67-72	210	204-01753	204-01754	204-02446	204-01755	204-01756	204-01757	204-01758		
		216	204-01759	204-01760	204-02447	204-01761	204-01762	204-01763	204-01764		
	77-82	210	204-01765	204-01766	204-02448	204-01767	204-01768	204-01769	204-01770		
		216	204-01771	204-01772	204-02449	204-01773	204-01774	204-01775	204-01776		
ZA 92	67-72	210	204-01777	204-01778	204-02450	204-01779	204-01780	204-01781	204-01782		
		216	204-01783	204-01784	204-02451	204-01785	204-01786	204-01787	204-01788		
	77-82	210	204-01789	204-01790	204-02452	204-01791	204-01792	204-01793	204-01794		
		216	204-01795	204-01796	204-02453	204-01797	204-01798	204-01799	204-01800		

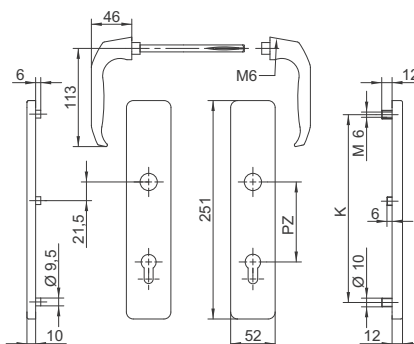


**52A/1003 E**

Set of door grips connected by a square spindle with the M6 screw and plates of ZnAl alloy, outer with hardened steel insert, covered with rectangular masking caps, without a mechanism facilitating movement of the handle, M6 screws, M6 bolt, 8 mm square spindle



PZ	TS	Mounting spacing K	Colour								
			9016	8019	8077	F1	F3	F4	F9		
PZ 72	67-72	210	204-00673	204-00674	204-02454	204-00675	204-00676	204-00677	204-00678		
		216	204-00679	204-00680	204-02455	204-00681	204-00682	204-00683	204-00684		
	77-82	210	204-00685	204-00686	204-02456	204-00687	204-00688	204-00689	204-00690		
		216	204-00691	204-00692	204-02457	204-00693	204-00694	204-00695	204-00696		
PZ 92	67-72	210	204-00697	204-00698	204-02458	204-00699	204-00700	204-00701	204-00702		
		216	204-00703	204-00704	204-02459	204-00705	204-00706	204-00707	204-00708		
	77-82	210	204-00709	204-00710	204-02460	204-00711	204-00712	204-00713	204-00714		
		216	204-00715	204-00716	204-02461	204-00717	204-00718	204-00719	204-00720		

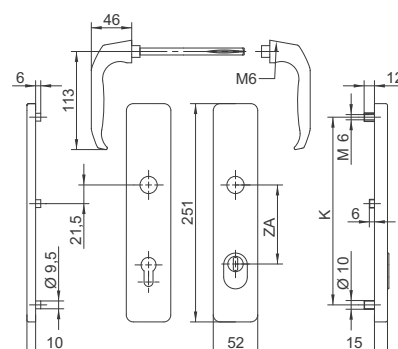


**52A/1003 ZA E**

Set of door grips connected by a square spindle with the M6 screw and plates of ZnAl alloy, outer with burglar protection of lock cylinder, covered with rectangular masking caps, without a mechanism facilitating movement of the handle, M6 screws, M6 bolt, 8 mm square spindle



ZA	TS	Mounting spacing K	Colour								
			9016	8019	8077	F1	F3	F4	F9		
ZA 72	67-72	210	204-00721	204-00722	204-02462	204-00723	204-00724	204-00725	204-00726		
		216	204-00727	204-00728	204-02463	204-00729	204-00730	204-00731	204-00732		
	77-82	210	204-00733	204-00734	204-02464	204-00735	204-00736	204-00737	204-00738		
		216	204-00739	204-00740	204-02465	204-00741	204-00742	204-00743	204-00744		
ZA 92	67-72	210	204-00745	204-00746	204-02466	204-00747	204-00748	204-00749	204-00750		
		216	204-00751	204-00752	204-02467	204-00753	204-00754	204-00755	204-00756		
	77-82	210	204-00757	204-00758	204-02468	204-00759	204-00760	204-00761	204-00762		
		216	204-00763	204-00764	204-02469	204-00765	204-00766	204-00767	204-00768		



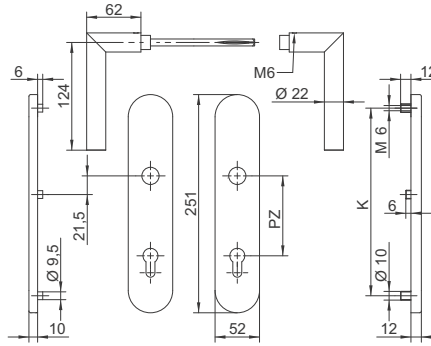


**52A/1010**

Set of door grips connected by a square spindle with the M6 screw and plates of ZnAl alloy, outer with hardened steel insert, covered with oval masking caps, without a mechanism facilitating movement of the handle, M6 screws, M6 bolt, 8 mm square spindle



PZ	TS	Mounting spacing K	Colour									
			9016	8019	8077	F1	F3	F4	F9	ES		
PZ 72	67-72	210	204-00961	204-00962	204-02486	204-00963	204-00964	204-00965	204-00966	204-00967		
		216	204-00968	204-00969	204-02487	204-00970	204-00971	204-00972	204-00973	204-00974		
	77-82	210	204-00975	204-00976	204-02488	204-00977	204-00978	204-00979	204-00980	204-00981		
		216	204-00982	204-00983	204-02489	204-00984	204-00985	204-00986	204-00987	204-00988		
PZ 92	67-72	210	204-00989	204-00990	204-02490	204-00991	204-00992	204-00993	204-00994	204-00995		
		216	204-00996	204-00997	204-02491	204-00998	204-00999	204-01000	204-01001	204-01002		
	77-82	210	204-01003	204-01004	204-02492	204-01005	204-01006	204-01007	204-01008	204-01009		
		216	204-01010	204-01011	204-02493	204-01012	204-01013	204-01014	204-01015	204-01016		

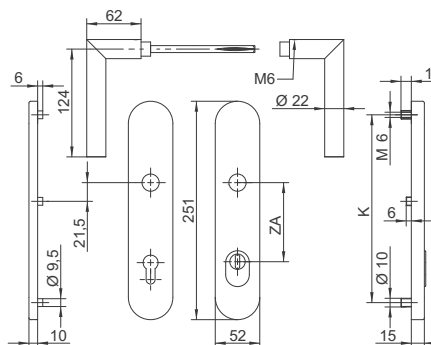


**52A/1010 ZA**

Set of door grips connected by a square spindle with the M6 screw and plates of ZnAl alloy, outer with burglar protection of lock cylinder, covered with oval masking caps, without a mechanism facilitating movement of the handle, M6 screws, M6 bolt, 8 mm square spindle



ZA	TS	Mounting spacing K	Colour									
			9016	8019	8077	F1	F3	F4	F9	ES		
ZA 72	67-72	210	204-01017	204-01018	204-02494	204-01019	204-01020	204-01021	204-01022	204-01023		
		216	204-01024	204-01025	204-02495	204-01026	204-01027	204-01028	204-01029	204-01030		
	77-82	210	204-01031	204-01032	204-02496	204-01033	204-01034	204-01035	204-01036	204-01037		
		216	204-01038	204-01039	204-02497	204-01040	204-01041	204-01042	204-01043	204-01044		
ZA 92	67-72	210	204-01045	204-01046	204-02498	204-01047	204-01048	204-01049	204-01050	204-01051		
		216	204-01052	204-01053	204-02499	204-01054	204-01055	204-01056	204-01057	204-01058		
	77-82	210	204-01059	204-01060	204-02500	204-01061	204-01062	204-01063	204-01064	204-01065		
		216	204-01066	204-01067	204-02501	204-01068	204-01069	204-01070	204-01071	204-01072		





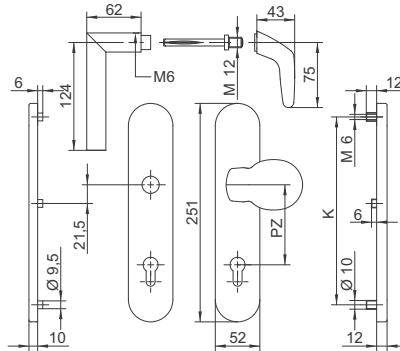
Anti-burglary door handles

**52A/1010 G1**

Set consisting of door grip and a rotating knob G1 type connected by a square spindle with the M6 screw and plates of ZnAl alloy, outer with hardened steel insert, covered with rectangular masking caps, without a mechanism facilitating movement of the handle, M6 screws, M6 bolt, 8 mm rotating square spindle with M12 screw



PZ	TS	Mounting spacing K	Colour									
			9016	8019	8077	F1	F3	F4	F9	ES		
PZ 72	67-72	210	204-01905	204-01906	204-02502	204-01907	204-01908	204-01909	204-01910	204-01911		
		216	204-01912	204-01913	204-02503	204-01914	204-01915	204-01916	204-01917	204-01918		
	77-82	210	204-01919	204-01920	204-02504	204-01921	204-01922	204-01923	204-01924	204-01925		
		216	204-01926	204-01927	204-02505	204-01928	204-01929	204-01930	204-01931	204-01932		
PZ 92	67-72	210	204-01933	204-01934	204-02506	204-01935	204-01936	204-01937	204-01938	204-01939		
		216	204-01940	204-01941	204-02507	204-01942	204-01943	204-01944	204-01945	204-01946		
	77-82	210	204-01947	204-01948	204-02508	204-01949	204-01950	204-01951	204-01952	204-01953		
		216	204-01954	204-01955	204-02509	204-01956	204-01957	204-01958	204-01959	204-01960		

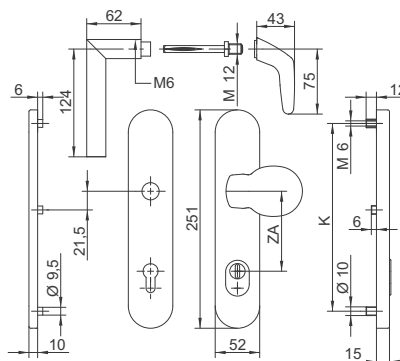


**52A/1010 G1 ZA**

Set consisting of door grip and a fixed knob G1 type connected by a square spindle with the M6 screw and plates of ZnAl alloy, outer with burglar protection of lock cylinder, covered with rectangular masking caps, without a mechanism facilitating movement of the handle, M6 screws, M6 bolt, 8 mm rotating square spindle with M12 screw



ZA	TS	Mounting spacing K	Colour									
			9016	8019	8077	F1	F3	F4	F9	ES		
ZA 72	67-72	210	204-01961	204-01962	204-02510	204-01963	204-01964	204-01965	204-01966	204-01967		
		216	204-01968	204-01969	204-02511	204-01970	204-01971	204-01972	204-01973	204-01974		
	77-82	210	204-01975	204-01976	204-02512	204-01977	204-01978	204-01979	204-01980	204-01981		
		216	204-01982	204-01983	204-02513	204-01984	204-01985	204-01986	204-01987	204-01988		
ZA 92	67-72	210	204-01989	204-01990	204-02514	204-01991	204-01992	204-01993	204-01994	204-01995		
		216	204-01996	204-01997	204-02515	204-01998	204-01999	204-02000	204-02001	204-02002		
	77-82	210	204-02003	204-02004	204-02516	204-02005	204-02006	204-02007	204-02008	204-02009		
		216	204-02010	204-02011	204-02517	204-02012	204-02013	204-02014	204-02015	204-02016		



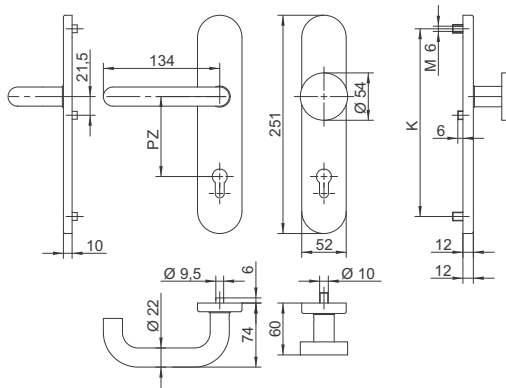


**52A/1040 G7/O**

The set consisting of door grip and rotating knob G7 type, of ZnAl alloy plates, outer with steel sockets with M6 thread, with hardened steel insert, internal equipped with a mechanism assisting the movement of handle, covered with oval masking caps, M6 screws, 8 mm square spindle



PZ	TS	Mounting spacing K	Colour									
			9016	8019	8077	F1	F3	F4	F9	ES		
PZ 72	67-72	210	204-01393	204-01394	204-02434	204-01395	204-01396	204-01397	204-01398	204-01399		
		216	204-01400	204-01401	204-02535	204-01402	204-01403	204-01404	204-01405	204-01406		
	77-82	210	204-01407	204-01408	204-02536	204-01409	204-01410	204-01411	204-01412	204-01413		
		216	204-01414	204-01415	204-02537	204-01416	204-01417	204-01418	204-01419	204-01420		
PZ 92	67-72	210	204-01421	204-01422	204-02538	204-01423	204-01424	204-01425	204-01426	204-01427		
		216	204-01428	204-01429	204-02539	204-01430	204-01431	204-01432	204-01433	204-01434		
	77-82	210	204-01435	204-01436	204-02540	204-01437	204-01438	204-01439	204-01440	204-01441		
		216	204-01442	204-01443	204-02541	204-01444	204-01445	204-01446	204-01447	204-01448		

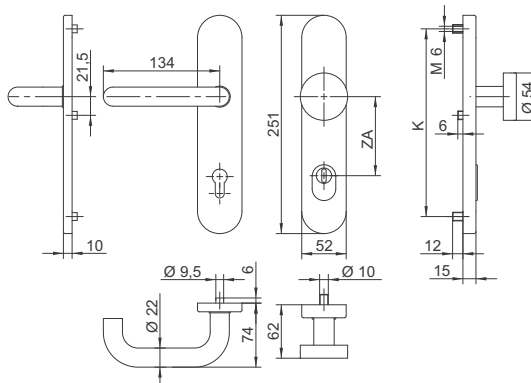


**52A/1040 G7/S ZA**

The set consists of door grip and fixed knob G7 type, of ZnAl alloy plates, outer with burglar protection of lock cylinder, internal equipped with mechanism facilitating handle movement, covered with oval masking caps, M6 screws, rotating square spindle 8 mm with M12 screw



ZA	TS	Mounting spacing K	Colour									
			9016	8019	8077	F1	F3	F4	F9	ES		
ZA 72	67-72	210	204-01449	204-01450	204-02542	204-01451	204-01452	204-01453	204-01454	204-01455		
		216	204-01456	204-01457	204-02543	204-01458	204-01459	204-01460	204-01461	204-01462		
	77-82	210	204-01463	204-01464	204-02544	204-01465	204-01466	204-01467	204-01468	204-01469		
		216	204-01470	204-01471	204-02545	204-01472	204-01473	204-01474	204-01475	204-01476		
ZA 92	67-72	210	204-01477	204-01478	204-02546	204-01479	204-01480	204-01481	204-01482	204-01483		
		216	204-01484	204-01485	204-02547	204-01486	204-01487	204-01488	204-01489	204-01490		
	77-82	210	204-01491	204-01492	204-02548	204-01493	204-01494	204-01495	204-01496	204-01497		
		216	204-01498	204-01499	204-02549	204-01500	204-01501	204-01502	204-01503	204-01504		

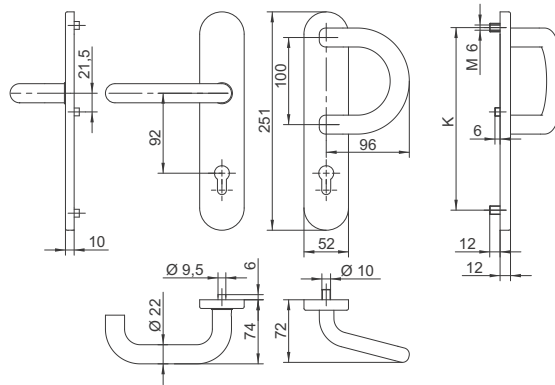


**52A/1040 P**

The set consists of door grip and handrail P type, of ZnAl alloy plates, outer with hardened steel insert, internal equipped with mechanism facilitating handle movement, covered with oval masking caps, M6 screws, square spindle 8 mm



TS	Mounting spacing K	Colour								
		9016	8019	8077	F1	F3	F4	F9	ES	
67-72	210	204-01533	204-01534	204-02550	204-01535	204-01536	204-01537	204-01538	204-01539	
	216	204-01540	204-01541	204-02551	204-01542	204-01543	204-01544	204-01545	204-01546	
77-82	210	204-01547	204-01548	204-02552	204-01549	204-01550	204-01551	204-01552	204-01553	
	216	204-01554	204-01555	204-02553	204-01556	204-01557	204-01558	204-01559	204-01560	

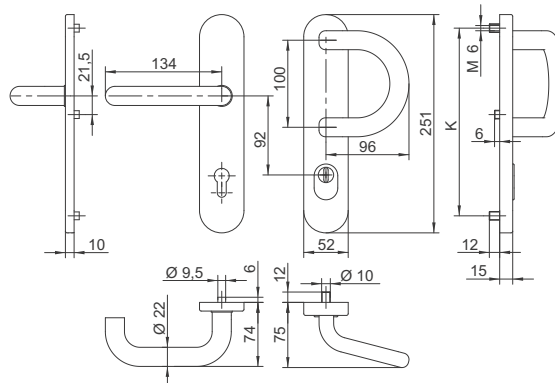


**52A/1040 P ZA**

The set consists of door grip and handrail P type, of ZnAl alloy plates, outer with burglar protection of lock cylinder, internal equipped with mechanism facilitating handle movement, covered with oval masking caps, M6 screws, square spindle 8 mm



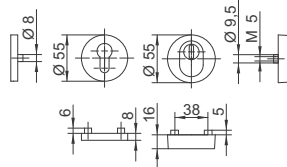
TS	Mounting spacing K	Colour								
		9016	8019	8077	F1	F3	F4	F9	ES	
67-72	210	204-02017	204-02018	204-02554	204-02019	204-02020	204-02021	204-02022	204-02023	
	216	204-02024	204-02025	204-02555	204-02026	204-02027	204-02028	204-02029	204-02030	
77-82	210	204-02031	204-02032	204-02556	204-02033	204-02034	204-02035	204-02036	204-02037	
	216	204-02038	204-02039	204-02557	204-02040	204-02041	204-02042	204-02043	204-02044	



**55 ZA**

A set of lock cylinders plates composed of internal plate of ZnAl alloy, covered with masking cap and an internal plate with burglary protection of lock cylinder

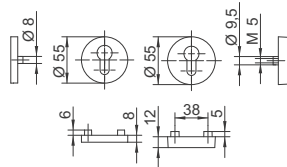
Colour										
9016	8019	8077	F1	F3	F4	F9				
209-00148	209-00149	209-00416	209-00150	209-00151	209-00152	209-00153				



**55 PZ**

A set of lock cylinders plates composed of internal plate of ZnAl alloy, covered with masking cap and an internal plate

Colour										
9016	8019	8077	F1	F3	F4	F9				
209-00142	209-00143	209-00415	209-00144	209-00145	209-00146	209-00147				





OBJECT DOOR HANDLES

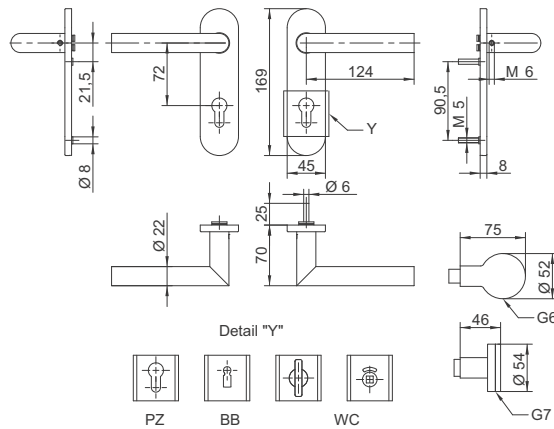
45/1010

Set consisting of door grips or door grip and a fixed knob, with extruded steel plates, covered with oval caps in three basic variants of equipment, M5 screws, square 8 mm spindle for standard version or 9 mm for fire-protected version



EN 1906, DIN 18273

Spindle	TS	Colour	Version				
			45/1010 PZ	45/1010 BB	45/1010 WC	45/1010 G6 PZ	45/1010 G7 PZ
8mm	37-45	ES	207-00001	207-00005	207-00009	207-00013	207-00021
		F1	207-00002	207-00006	207-00010	207-00014	207-00022
9mm	40-66	ES	207-00003	207-00007		207-00015	207-00023
		F1	207-00004	207-00008		207-00016	207-00024



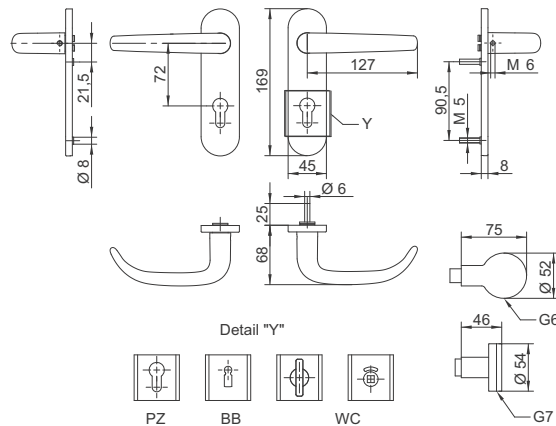
45/1015

Set consisting of door grips or door grip and a fixed knob, with extruded steel plates, covered with oval caps in three basic variants of equipment, M5 screws, square 8 mm spindle for standard version or 9 mm for fire-protected version



EN 1906, DIN 18273

Spindle	TS	Colour	Version				
			45/1015 PZ	45/1015 BB	45/1015 WC	45/1015 G6 PZ	45/1015 G7 PZ
8mm	37-45	ES	207-00029	207-00033	207-00037	207-00041	207-00049
		F1	207-00030	207-00034	207-00038	207-00042	207-00050
9mm	40-66	ES	207-00031	207-00035		207-00043	207-00051
		F1	207-00032	207-00036		207-00044	207-00052



G6



G7



EN 1906, fire-protected DIN 18273 and anti-panic  
DIN EN 179

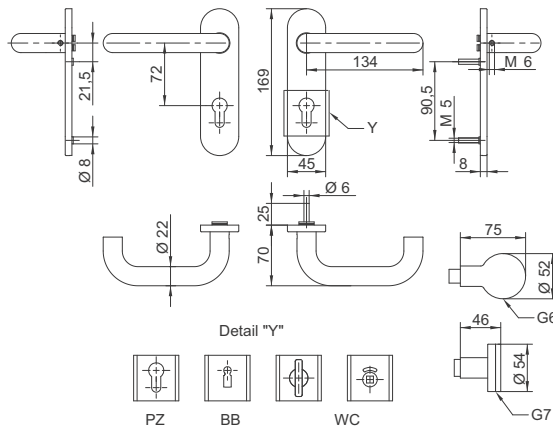
45/1040

Set consisting of door grips or door grip and a fixed knob, with extruded steel plates, covered with oval caps in three basic variants of equipment, M5 screws, square 8 mm spindle for standard version, 9 mm for fire-protected version or divided spindle for antipanic version



EN 1906, DIN 18273,  
DIN EN 179

Spindle	TS	Colour	Version				
			45/1040 PZ	45/1040 BB	45/1040 WC	45/1040 G6 PZ	45/1040 G7 PZ
8mm	37-45	ES	207-00057	207-00063	207-00069	207-00073	207-00085
		F1	207-00058	207-00064	207-00070	207-00074	207-00086
9mm	40-66	ES	207-00059	207-00065		207-00075	207-00087
		F1	207-00060	207-00066		207-00076	207-00088
9mm	40-66	ES	207-00061				
		F1	207-00062				



G6



G7

EN 1906, fire-protected DIN 18273 and anti-panic  
DIN EN 179

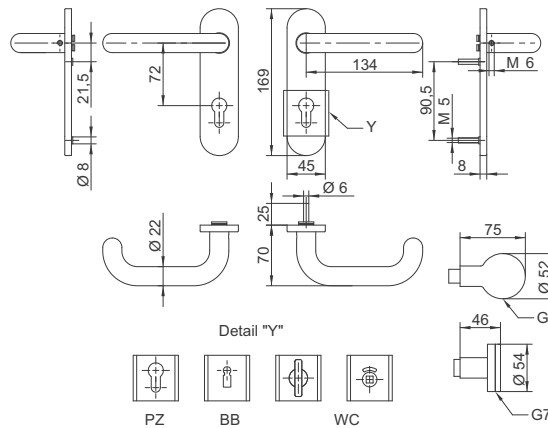
45/1042

Set consisting of door grips or door grip and a fixed knob, with extruded steel plates, covered with oval caps in three basic variants of equipment, M5 screws, square 8 mm spindle for standard version, 9 mm for fire-protected version or divided spindle for anti-panic version



EN 1906, DIN 18273,  
DIN EN 179

Spindle	TS	Colour	Version				
			45/1042 PZ	45/1042 BB	45/1042 WC	45/1042 G6 PZ	45/1042 G7 PZ
8mm	37-45	ES	207-00097	207-00103	207-00109	207-00113	207-00125
		F1	207-00098	207-00104	207-00110	207-00114	207-00126
9mm	40-66	ES	207-00099	207-00105		207-00115	207-00127
		F1	207-00100	207-00106		207-00116	207-00128
9mm	40-66	ES	207-00101				
		F1	207-00102				



G6



G7

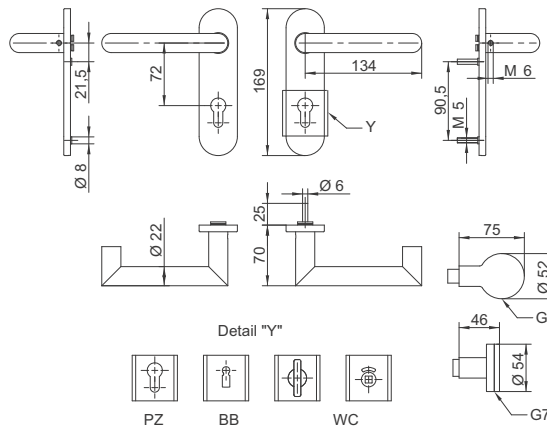
45/1060

Set consisting of door grips or door grip and a fixed knob, with extruded steel plates, covered with oval caps in three basic variants of equipment, M5 screws, square 8 mm spindle for standard version or 9 mm for fire-protected version



EN 1906, DIN 18273

Spindle	TS	Colour	Version				
			45/1060 PZ	45/1060 BB	45/1060 WC	45/1060 G6 PZ	45/1060 G7 PZ
8mm	37-45	ES	207-00137	207-00141	207-00145	207-00149	207-00157
		F1	207-00138	207-00142	207-00146	207-00150	207-00158
9mm	40-66	ES	207-00139	207-00143		207-00151	207-00159
		F1	207-00140	207-00144		207-00152	207-00160



G6



G7



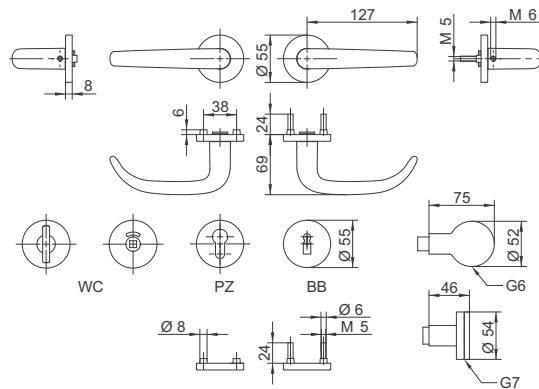
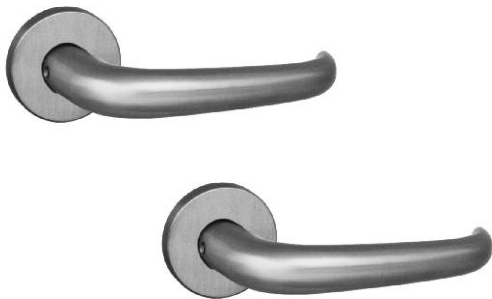
55/1015

Set consisting of door grips or door grip and a fixed knob, with round extruded steel plates, with plastic insert in the version with or without mechanism facilitating handle movement, covered with round caps with one of three basic variants of round plates, M5 screws, square 8 mm spindle for standard version or 9 mm for fire-protected version



EN 1906, DIN 18273

Spindle	TS	Colour	Version without support				
			55/1015 PZ	55/1015 BB	55/1015 WC	55/1015 G6 PZ	55/1015 G7 PZ
8mm	37-45	ES	208-00201	208-00205	208-00209	208-00213	208-00221
		F1	208-00202	208-00206	208-00210	208-00214	208-00222
9mm	40-66	ES	208-00203	208-00207		208-00215	208-00223
		F1	208-00204	208-00208		208-00216	208-00224
Spindle	TS	Colour	Version with support				
			55/1015 PZ	55/1015 BB	55/1015 WC	55/1015 G6 PZ	55/1015 G7 PZ
8mm	37-45	ES	208-00229	208-00233	208-00237	208-00241	208-00249
		F1	208-00230	208-00234	208-00238	208-00242	208-00250
9mm	40-66	ES	208-00231	208-00235		208-00243	208-00251
		F1	208-00232	208-00236		208-00244	208-00252



G6



G7

EN 1906, fire-protected DIN 18273 and anti-panic  
DIN EN 179

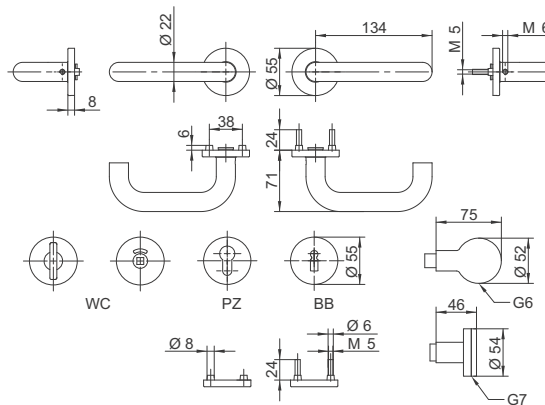
55/1040

Set consisting of door grips or door grip and a fixed knob, with round extruded steel plates, with plastic insert in the version with or without mechanism facilitating handle movement, covered with round caps with one of three basic variants of round plates, M5 screws, square 8 mm spindle for standard version or 9 mm for fire-protected version or divided spindle for anti-panic version



EN 1906, DIN 18273,  
DIN EN 179

Spindle	TS	Colour	Version without support				
			55/1040 PZ	55/1040 BB	55/1040 WC	55/1040 G6 PZ	55/1040 G7 PZ
8mm	37-45	ES	208-00257	208-00263	208-00269	208-00273	208-00285
		F1	208-00258	208-00264	208-00270	208-00274	208-00286
9mm	40-66	ES	208-00259	208-00265		208-00275	208-00287
		F1	208-00260	208-00266		208-00276	208-00288
9mm	40-66	ES	208-00261				
		F1	208-00262				
Spindle	TS	Colour	Version with support				
			55/1040 PZ	55/1040 BB	55/1040 WC	55/1040 G6 PZ	55/1040 G7 PZ
8mm	37-45	ES	208-00297	208-00303	208-00309	208-00313	208-00325
		F1	208-00298	208-00304	208-00310	208-00314	208-00326
9mm	40-66	ES	208-00299	208-00305		208-00315	208-00327
		F1	208-00300	208-00306		208-00316	208-00328
9mm	40-66	ES	208-00301				
		F1	208-00302				



G6



G7

EN 1906, fire-protected DIN 18273 and anti-panic  
DIN EN 179

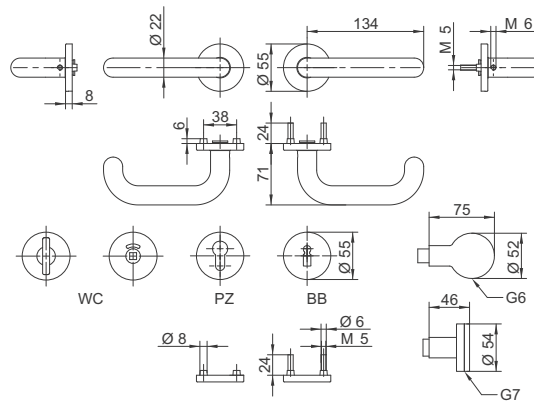
55/1042

Set consisting of door grips or door grip and a fixed knob, with round extruded steel plates, with plastic insert in the version with or without mechanism facilitating handle movement, covered with round caps with one of three basic variants of round plates, M5 screws, square 8 mm spindle for standard version or 9 mm for fire-protected version or divided spindle for anti-panic version



EN 1906, DIN 18273,  
DIN EN 179

Spindle	TS	Colour	Version without support				
			55/1042 PZ	55/1042 BB	55/1042 WC	55/1042 G6 PZ	55/1042 G7 PZ
8mm	37-45	ES	208-00337	208-00343	208-00349	208-00353	208-00365
		F1	208-00338	208-00344	208-00350	208-00354	208-00366
9mm	40-66	ES	208-00339	208-00345		208-00355	208-00367
		F1	208-00340	208-00346		208-00356	208-00368
9mm	40-66	ES	208-00341				
		F1	208-00342				
Spindle	TS	Colour	Version with support				
			55/1042 PZ	55/1042 BB	55/1042 WC	55/1042 G6 PZ	55/1042 G7 PZ
8mm	37-45	ES	208-00377	208-00383	208-00389	208-00393	208-00405
		F1	208-00378	208-00384	208-00390	208-00394	208-00406
9mm	40-66	ES	208-00379	208-00385		208-00395	208-00407
		F1	208-00380	208-00386		208-00396	208-00408
9mm	40-66	ES	208-00381				
		F1	208-00382				



G6



G7

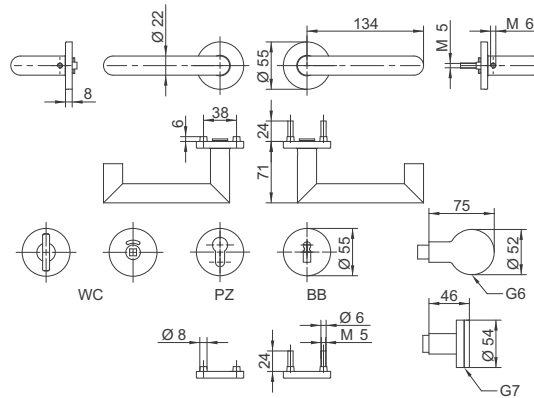
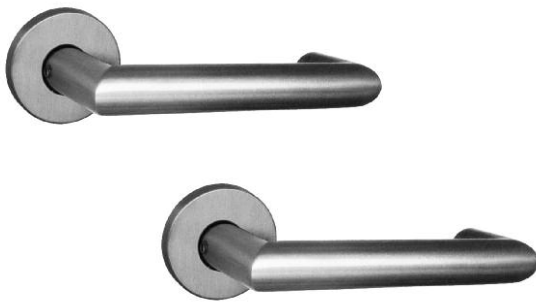
55/1060

Set consisting of door grips or door grip and a fixed knob, with round extruded steel plates, with plastic insert in the version with or without mechanism facilitating handle movement, covered with round caps with one of three basic variants of round plates, M5 screws, square 8 mm spindle for standard version or 9 mm for fire-protected version



EN 1906, DIN 18273

Spindle	TS	Colour	Version without support				
			55/1060 PZ	55/1060 BB	55/1060 WC	55/1060 G6 PZ	55/1060 G7 PZ
8mm	37-45	ES	208-00417	208-00421	208-00425	208-00429	208-00437
		F1	208-00418	208-00422	208-00426	208-00430	208-00438
9mm	40-66	ES	208-00419	208-00423		208-00431	208-00439
		F1	208-00420	208-00424		208-00432	208-00440
Spindle	TS	Colour	Version with support				
			55/1060 PZ	55/1060 BB	55/1060 WC	55/1060 G6 PZ	55/1060 G7 PZ
8mm	37-45	ES	208-00445	208-00449	208-00453	208-00457	208-00465
		F1	208-00446	208-00450	208-00454	208-00458	208-00466
9mm	40-66	ES	208-00447	208-00451		208-00459	208-00467
		F1	208-00448	208-00452		208-00460	208-00468



G6



G7



EN 1906, fire-protected DIN 18273 and burglary protected DIN 18257

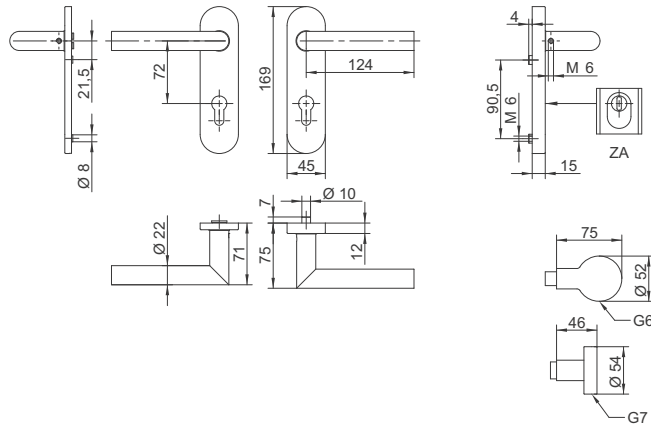
45/1010 F ES1

Set consisting of door grips or door grip and a fixed knob with steel plates, external multilayer with steel sockets, with M6 thread with the possibility of using ZA burglary protection of the lock cylinder, inner extruded, covered with oval masking caps, M6 screws, square 9 mm spindle, for door having a thickness of 40 to 66 mm



EN 1906, DIN 18273,  
DIN 18257

Spindle	TS	Colour	Version					
			45/1010 PZ	45/1010 G6 PZ	45/1010 G7 PZ	45/1010 ZA	45/1010 G6 ZA	45/1010 G7 ZA
9mm	40-66	ES	207-00165	207-00167	207-00171	207-00175	207-00177	207-00181
		F1	207-00166	207-00168	207-00172	207-00176	207-00178	207-00182



G6 PZ



G7 PZ



G6 ZA



G7 ZA

EN 1906, fire-protected DIN 18273 and burglary protected DIN 18257

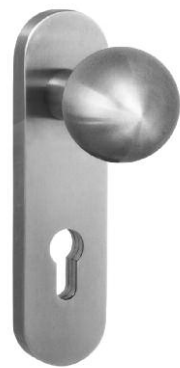
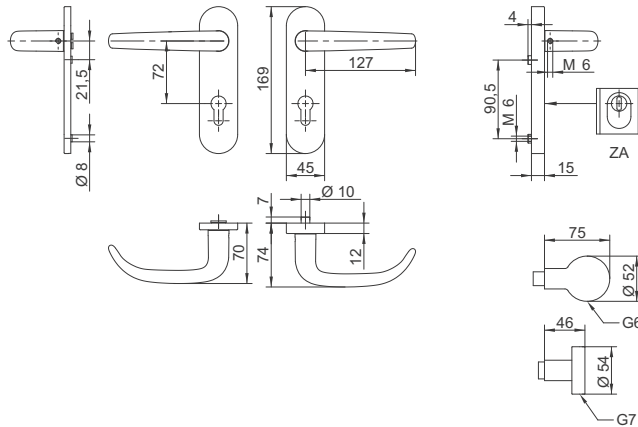
45/1015 F ES1

Set consisting of door grips or door grip and a fixed knob with steel plates, external multilayer with steel sockets, with M6 thread with the possibility of using ZA burglary protection of the lock cylinder, inner extruded, covered with oval masking caps, M6 screws, square 9 mm spindle, for door having a thickness of 40 to 66 mm



EN 1906, DIN 18273,  
DIN 18257

Spindle	TS	Colour	Version					
			45/1015 PZ	45/1015 G6 PZ	45/1015 G7 PZ	45/1015 ZA	45/1015 G6 ZA	45/1015 G7 ZA
9mm	40-66	ES	207-00185	207-00187	207-00191	207-00195	207-00197	207-00201
		F1	207-00186	207-00188	207-00192	207-00196	207-00198	207-00202



G6 PZ



G7 PZ



G6 ZA



G7 ZA

EN 1906, fire-protected DIN 18273 burglary protected DIN18257 and anti-panic DIN EN 179

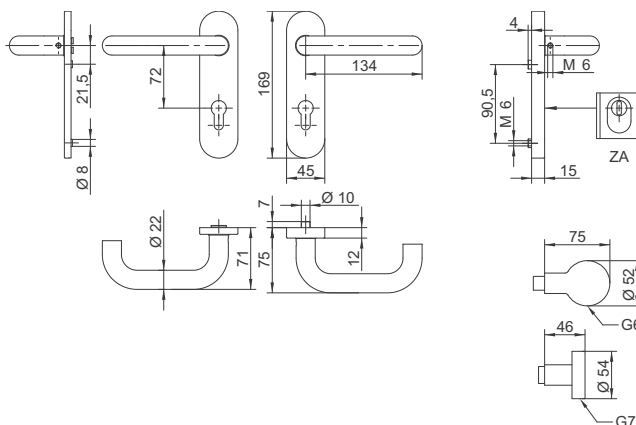
**45/1040 F ES1**

Set consisting of door grips or door grip and a fixed knob with steel plates, external multilayer with steel sockets, with M6 thread with the possibility of using ZA burglary protection of the lock cylinder, inner extruded, covered with oval masking caps, M6 screws, square 9 mm spindle, for door having a thickness of 40 to 66 mm or a divided spindle for anti-panic version



EN 1906, DIN 18273,  
DIN 18257, DIN EN 179

Spindle	TS	Colour	Version					
			45/1040 PZ	45/1040 G6 PZ	45/1040 G7 PZ	45/1040 ZA	45/1040 G6 ZA	45/1040 G7 ZA
9mm	40-66	ES	207-00205	207-00209	207-00213	207-00217	207-00221	207-00225
		F1	207-00206	207-00210	207-00214	207-00218	207-00222	207-00226
9mm	40-66	ES	207-00207			207-00219		
		F1	207-00208			207-00220		



G6 PZ



G7 PZ



G6 ZA



G7 ZA

EN 1906, fire-protected DIN 18273 burglary protected DIN18257 and anti-panic DIN EN 179

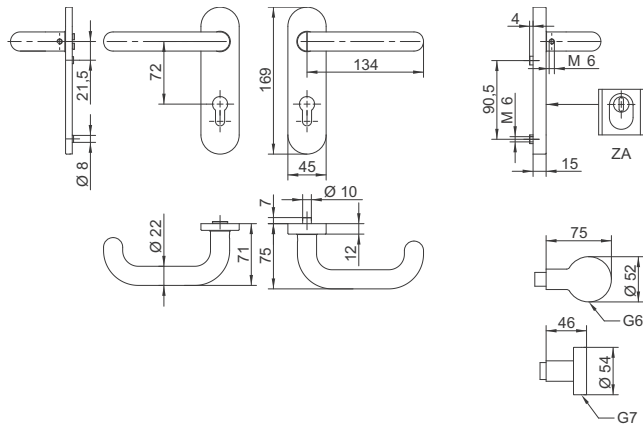
45/1042 F ES1

Set consisting of door grips or door grip and a fixed knob with steel plates, external multilayer with steel sockets, with M6 thread with the possibility of using ZA burglary protection of the lock cylinder, inner extruded, covered with oval masking caps, M6 screws, square 9 mm spindle, for door having a thickness of 40 to 66 mm or a divided spindle for anti-panic version



EN 1906, DIN 18273,  
DIN 18257, DIN EN 179

Spindle	TS	Colour	Version					
			45/1042 PZ	45/1042 G6 PZ	45/1042 G7 PZ	45/1042 ZA	45/1042 G6 ZA	45/1042 G7 ZA
9mm	40-66	ES	207-00229	207-00233	207-00237	207-00241	207-00245	207-00249
		F1	207-00230	207-00234	207-00238	207-00242	207-00246	207-00250
9mm	40-66	ES	207-00231			207-00243		
		F1	207-00232			207-00244		



G6 PZ



G7 PZ



G6 ZA



G7 ZA

EN 1906, fire-protected DIN 18273 and burglary protected DIN 18257

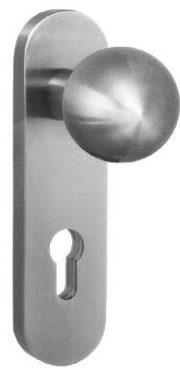
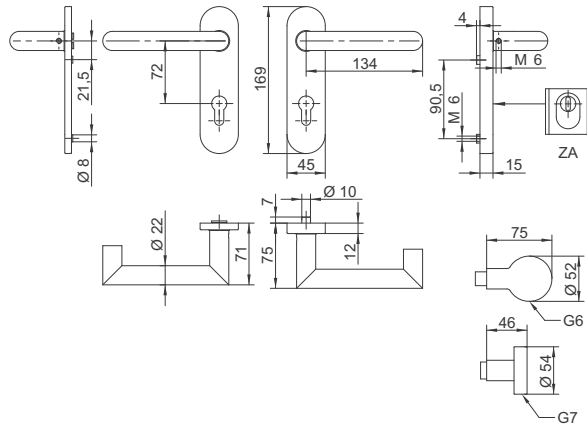
45/1060 F ES1

Set consisting of door grips or door grip and a fixed knob with steel plates, external multilayer with steel sockets, with M6 thread with the possibility of using ZA burglary protection of the lock cylinder, inner extruded, covered with oval masking caps, M6 screws, square 9 mm spindle, for door having a thickness of 40 to 66 mm



EN 1906, DIN 18273,  
DIN 18257

Spindle	TS	Colour	Version					
			45/1060 PZ	45/1060 G6 PZ	45/1060 G7 PZ	45/1060 ZA	45/1060 G6 ZA	45/1060 G7 ZA
9mm	40-66	ES	207-00253	207-00255	207-00259	207-00263	207-00265	207-00269
		F1	207-00254	207-00256	207-00260	207-00264	207-00266	207-00270



G6 PZ



G7 PZ



G6 ZA



G7 ZA

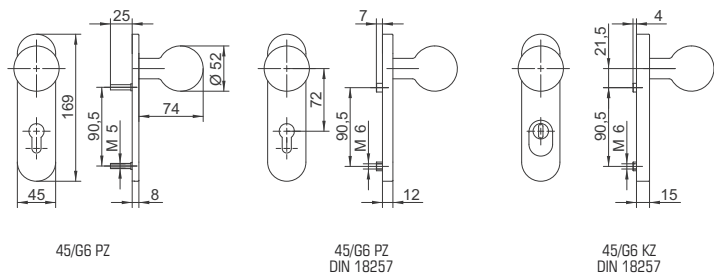
Single door knobs EN 1906, fire-protected DIN 18273 and burglary protected DIN 1825

45/G6



Object door knob G6 fixed with external steel plate with M5 threads or in case of burglary protected plates with multi-layer intrusion plate with M6 threads, covered by oval masking cape

Colour	Version					
	45/G6 PZ	45/G6 PZ DIN 18257	45/G6 ZA DIN 18257			
ES	207-00273	207-00275	207-00277			
F1	207-00274	207-00276	207-00278			

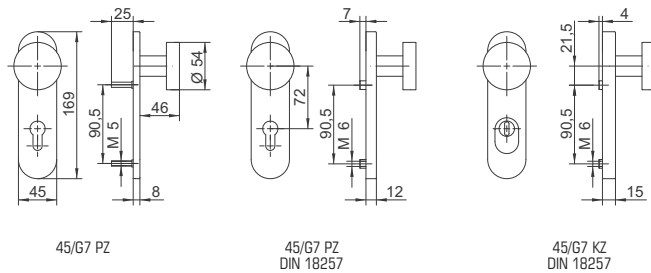


45/G7



Object door knob G7 fixed with external steel plate with M5 threads or in case of burglary protected plates with multi-layer intrusion plate with M6 threads, covered by oval masking cape

Colour	Version					
	45/G7 PZ	45/G7 PZ DIN 18257	45/G7 ZA DIN 18257			
ES	207-00279	207-00281	207-00283			
F1	207-00280	207-00282	207-00284			



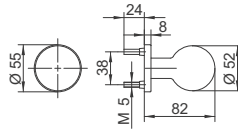
Single door knobs EN 1906, and fire-protected DIN 18273

55/G6

Object door knob G6 fixed with round external steel plate with M5 threads, covered with a round masking cap



Colour									
F1	ES								
208-00474		208-00473							

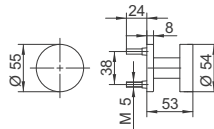


55/G7

Object door knob G7 fixed with round external steel plate with M5 threads, covered with a round masking cap



Colour									
F1	ES								
208-00478		208-00477							

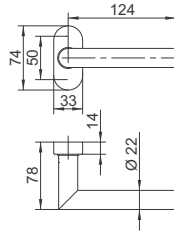


R32/1010

Door grip with extruded steel plate of, equipped with a mechanism assisting movement of the handle, protected with an oval masking cap



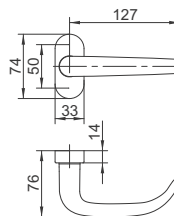
DIN 18273



Spindle	Colour								
	9016	8019	8077	F1	F4	F9	ES		
8 mm	208-00001	208-00002	208-00521	208-00003	208-00004	208-00005	208-00006		
9 mm	208-00007	208-00008	208-00522	208-00009	208-00010	208-00011	208-00012		

R32/1015

Door grip with extruded steel plate of, equipped with a mechanism assisting movement of the handle, protected with an oval masking cap



Spindle	Colour								
	9016	8019	8077	F1	F4	F9	ES		
8 mm	208-00013	208-00014	208-00523	208-00015	208-00016	208-00017	208-00018		
9 mm	208-00019	208-00020	208-00524	208-00021	208-00022	208-00023	208-00024		



R32/1040

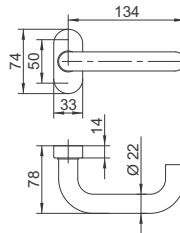
Door grip with extruded steel plate of, equipped with a mechanism assisting movement of the handle, protected with an oval masking cap



DIN 18273



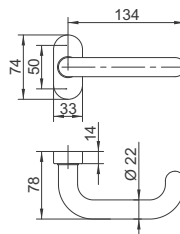
Spindle	Colour								
	9016	8019	8077	F1	F4	F9	ES		
8 mm	208-00025	208-00026	208-00525	208-00027	208-00028	208-00029	208-00030		
9 mm	208-00031	208-00032	208-00526	208-00033	208-00034	208-00035	208-00036		



R32/1042

Door grip with extruded steel plate of, equipped with a mechanism assisting movement of the handle, protected with an oval masking cap

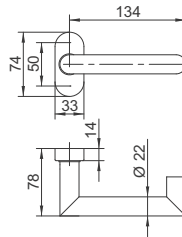
Spindle	Colour								
	9016	8019	8077	F1	F4	F9	ES		
8 mm	208-00037	208-00038	208-00527	208-00039	208-00040	208-00041	208-00042		
9 mm	208-00043	208-00044	208-00528	208-00045	208-00046	208-00047	208-00048		



**R32/1060**

Door grip with extruded steel plate of, equipped with a mechanism assisting movement of the handle, protected with an oval masking cap

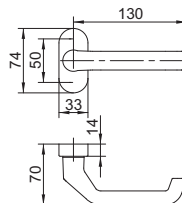
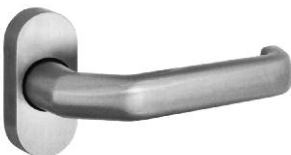
Spindle	Colour									
	9016	8019	8077	F1	F4	F9	ES			
8 mm	208-00049	208-00050	208-00529	208-00051	208-00052	208-00053	208-00054			
9 mm	208-00055	208-00056	208-00530	208-00057	208-00058	208-00059	208-00060			



**R32/1200**

Door grip with extruded steel plate of, equipped with a mechanism assisting movement of the handle, protected with an oval masking cap

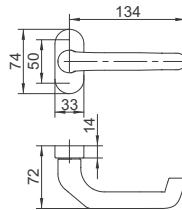
Spindle	Colour									
	9016	8019	8077	F1	F3	F4	F9	ES		
8 mm	208-00112	208-00113	208-00531	208-00114	208-00481	208-00115	208-00116	208-00117		



**R32/1300**

Door grip with extruded steel plate of, equipped with a mechanism assisting movement of the handle, protected with an oval masking cap

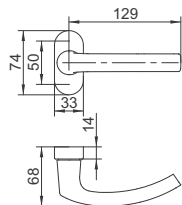
Spindle	Colour									
	9016	8019	8077	F1	F3	F4	F9	ES		
8 mm	208-00123	208-00124	208-00532	208-00125	208-00482	208-00126	208-00127	208-00128		



**R32/2000**

Door grip with extruded steel plate of, equipped with a mechanism assisting movement of the handle, protected with an oval masking cap

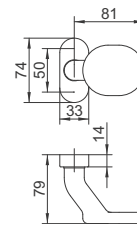
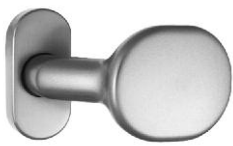
Spindle	Colour									
	9016	8019	8077	F1	F3	F4	F9	ES		
8 mm	208-00134	208-00135	208-00533	208-00136	208-00483	208-00137	208-00138	208-00139		



**R32/G3**

G3 type knob, rotating or fixed, with extruded steel plate, in case of rotating knobs equipped with a mechanism assisting movement of the handle, covered with oval or rectangular masking cap

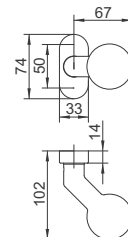
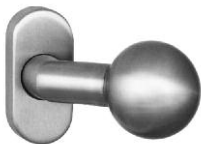
Knob	Function of the knob	Spindle	Colour											
			9016	8019	8077	F1	F4	F9						
G3	Fixed		208-00061	208-00062	208-00534	208-00063	208-00064	208-00065						
	Rotating	8 mm	208-00066	208-00067	208-00535	208-00068	208-00069	208-00070						
		9 mm	208-00071	208-00072	208-00536	208-00073	208-00074	208-00075						



**R32/G4**

G4 type knob, rotating or fixed, with extruded stainless steel plate, in case of rotating knobs equipped with a mechanism assisting movement of the handle, covered with oval or rectangular masking cap

Knob	Function of the knob	Spindle	Colour											
			9016	8019	8077	F1	F4	F9	ES					
G4	Fixed		208-00076	208-00077	208-00537	208-00078	208-00079	208-00080	208-00081					
	Rotating	8 mm	208-00082	208-00083	208-00538	208-00084	208-00085	208-00086	208-00087					
		9 mm	208-00088	208-00089	208-00539	208-00090	208-00091	208-00092	208-00093					



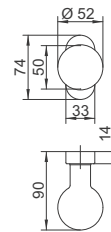
R32/G6

G6 type knob, rotating or fixed, with extruded stainless steel plate, in case of rotating knobs equipped with a mechanism assisting movement of the handle, covered with oval or rectangular masking cap



DIN 18273

Knob	Function of the knob	Spindle	Colour												
			9016	8019	8077	F1	F4	F9	ES						
G6	Fixed		208-00094	208-00095	208-00540	208-00096	208-00097	208-00098	208-00099						
	Rotating	8 mm	208-00100	208-00101	208-00541	208-0010	208-00103	208-00104	208-00105						
		9 mm	208-00106	208-00107	208-00542	208-00108	208-00109	208-00110	208-00111						



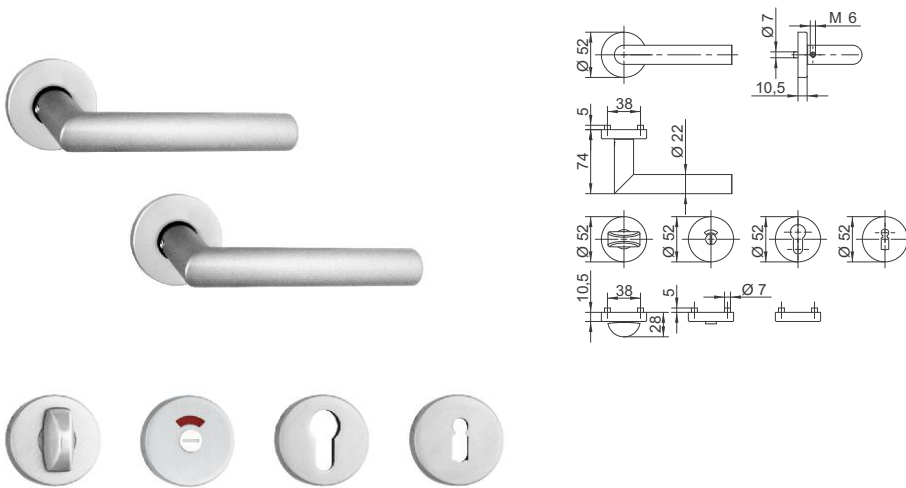


HANDLES FOR INTERNAL DOORS

**ZG50/1010**

A shared set consisting of door grips, plates made of plastic, covered with round caps, with three variants of equipment: key, lock cylinder, WC; M5 screws, 8 mm square spindle

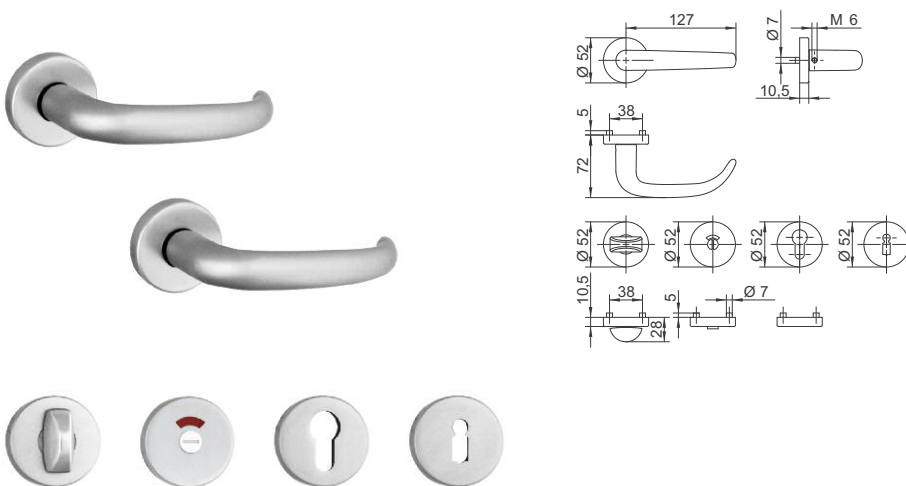
The type of hole	TS	Colour					
		9016	9005	F1	F3	F4	F9
PZ	37-45	206-00001	206-00002	206-00003	206-00172	206-00173	206-00004
BB	37-45	206-00006	206-00007	206-00008	206-00174	206-00175	206-00009
WC	37-45	206-00011	206-00012	206-00013	206-00176	206-00177	206-00014



**ZG50/1015**

A shared set consisting of door grips, plates made of plastic, covered with round caps, with three variants of equipment: key, lock cylinder, WC; M5 screws, 8 mm square spindle

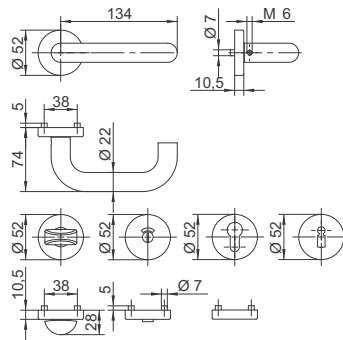
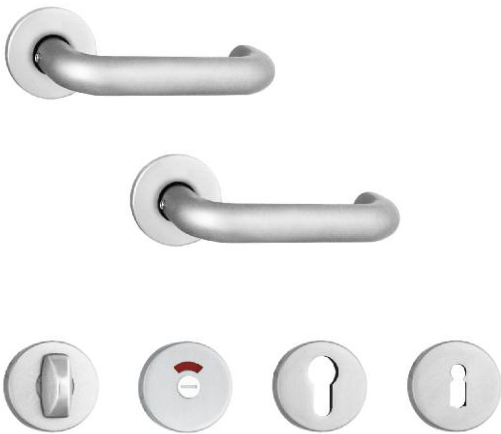
The type of hole	TS	Colour					
		9016	9005	F1	F3	F4	F9
PZ	37-45	206-00016	206-00017	206-00018	206-00178	206-00179	206-00019
BB	37-45	206-00021	206-00022	206-00023	206-00180	206-00181	206-00024
WC	37-45	206-00026	206-00027	206-00028	206-00182	206-00183	206-00029



**ZG50/1040**

A shared set consisting of door grips, plates made of plastic, covered with round caps, with three variants of equipment: key, lock cylinder, WC; M5 screws, 8 mm square spindle

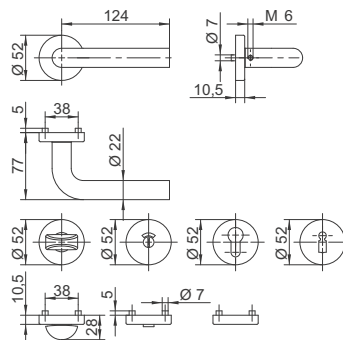
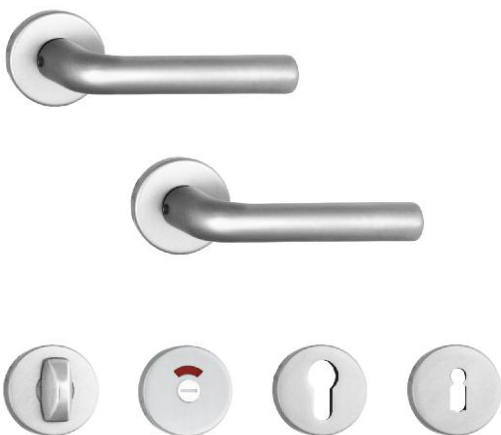
The type of hole	TS	Colour					
		9016	9005	F1	F3	F4	F9
PZ	37-45	206-00031	206-00032	206-00033	206-00184	206-00185	206-00034
BB	37-45	206-00036	206-00037	206-00038	206-00186	206-00187	206-00039
WC	37-45	206-00041	206-00042	206-00043	206-00188	206-00189	206-00044



**ZG50/1070**

A shared set consisting of door grips, plates made of plastic, covered with round caps, with three variants of equipment: key, lock cylinder, WC; M5 screws, 8 mm square spindle

The type of hole	TS	Colour					
		9016	9005	F1	F3	F4	F9
PZ	37-45	206-00046	206-00047	206-00048	206-00190	206-00191	206-00049
BB	37-45	206-00051	206-00052	206-00053	206-00192	206-00193	206-00054
WC	37-45	206-00056	206-00057	206-00058	206-00194	206-00195	206-00059

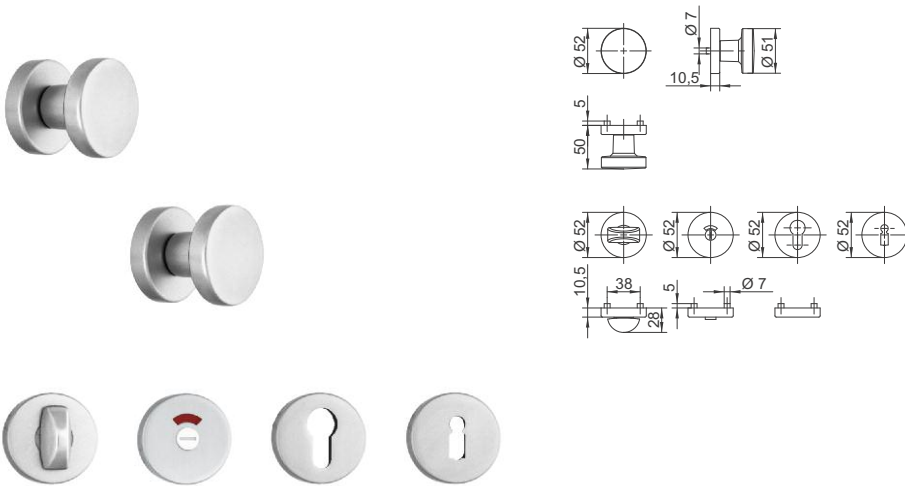




**ZG50/1080**

A set consisting of door grip and rotating knob 1080 (G5) type, plates made of plastic, covered with round caps, with three variants of equipment: key, lock cylinder, WC; M5 screws, 8 mm square spindle

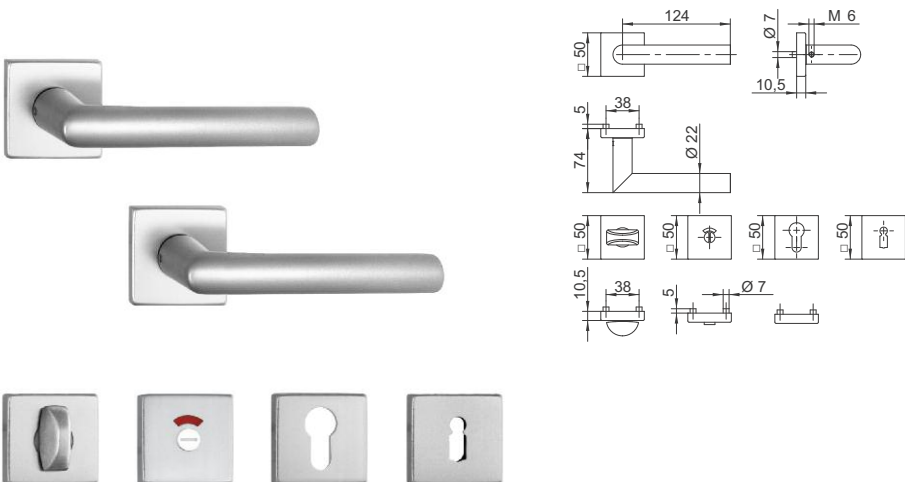
The type of hole	TS	Colour					
		9016	9005	F1	F3	F4	F9
PZ	37-45	206-00061	206-00062	206-00063	206-00196	206-00197	206-00064
BB	37-45	206-00066	206-00067	206-00068	206-00198	206-00199	206-00069
WC	37-45	206-00071	206-00072	206-00073	206-00200	206-00201	206-00074



**ZG50/1010 E**

A shared set consisting of door grips, plates made of plastic, covered with square caps, with three variants of equipment: key, lock cylinder, WC; M5 screws, 8 mm square spindle

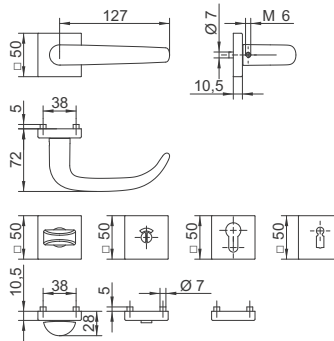
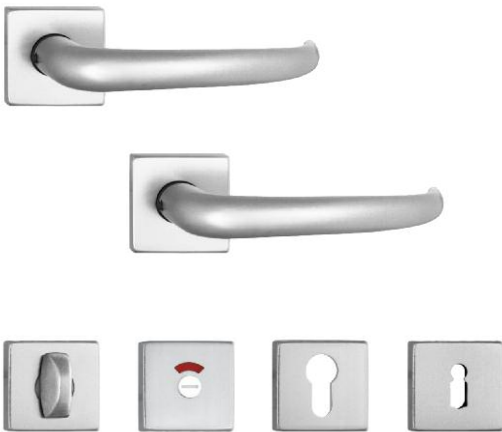
The type of hole	TS	Colour					
		9016	9005	F1	F3	F4	F9
PZ	37-45	206-00076	206-00077	206-00078	206-00202	206-00203	206-00079
BB	37-45	206-00081	206-00082	206-00083	206-00204	206-00205	206-00084
WC	37-45	206-00086	206-00087	206-00088	206-00206	206-00207	206-00089



**ZG50/1015 E**

A shared set consisting of door grips, plates made of plastic, covered with square caps, with three variants of equipment: key, lock cylinder, WC; M5 screws, 8 mm square spindle

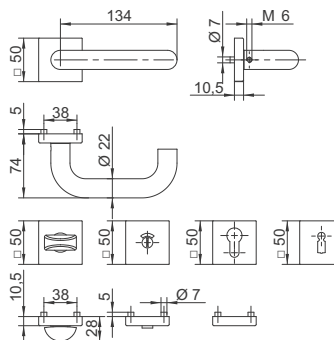
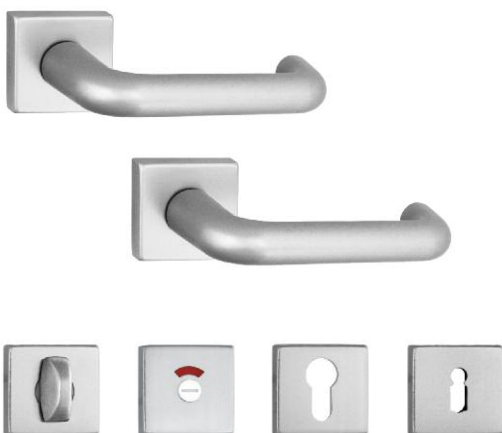
The type of hole	TS	Colour					
		9016	9005	F1	F3	F4	F9
PZ	37-45	206-00091	206-00092	206-00093	206-00208	206-00209	206-00094
BB	37-45	206-00096	206-00097	206-00098	206-00210	206-00211	206-00099
WC	37-45	206-00101	206-00102	206-00103	206-00212	206-00213	206-00104



**ZG50/1040 E**

A shared set consisting of door grips, plates made of plastic, covered with square caps, with three variants of equipment: key, lock cylinder, WC; M5 screws, 8 mm square spindle

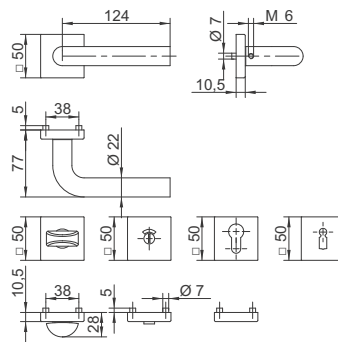
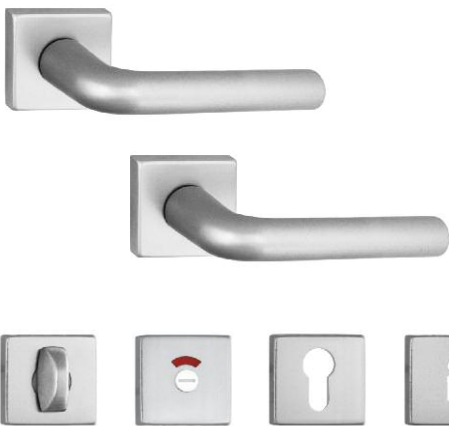
The type of hole	TS	Colour					
		9016	9005	F1	F3	F4	F9
PZ	37-45	206-00106	206-00107	206-00108	206-00214	206-00215	206-00109
BB	37-45	206-00111	206-00112	206-00113	206-00216	206-00217	206-00114
WC	37-45	206-00116	206-00117	206-00118	206-00218	206-00219	206-00119



ZG50/1070 E

A shared set consisting of door grips, plates made of plastic, covered with square caps, with three variants of equipment: key, lock cylinder, WC; M5 screws, 8 mm square spindle

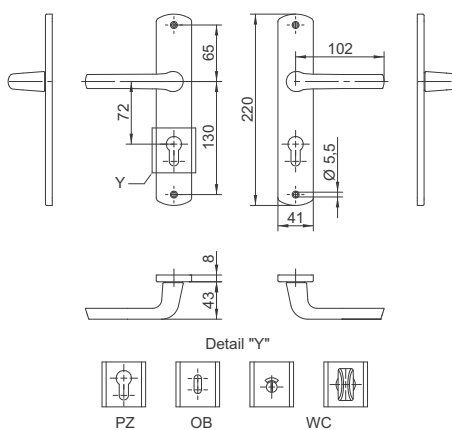
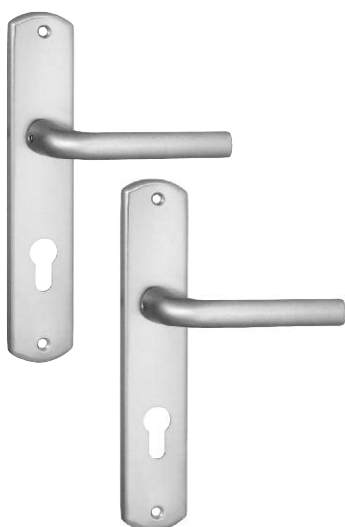
The type of hole	TS	Colour									
		9016	9005	F1	F3	F4	F9				
PZ	37-45	206-00121	206-00122	206-00123	206-00220	206-00221	206-00124				
BB	37-45	206-00126	206-00127	206-00128	206-00222	206-00223	206-00129				
WC	37-45	206-00131	206-00132	206-00133	206-00224	206-00225	206-00134				



2142/3018L

Set of door grips with extruded plates with three variants of embodiment: key, lock cylinder, WC; M4 screws, 8 mm square spindle

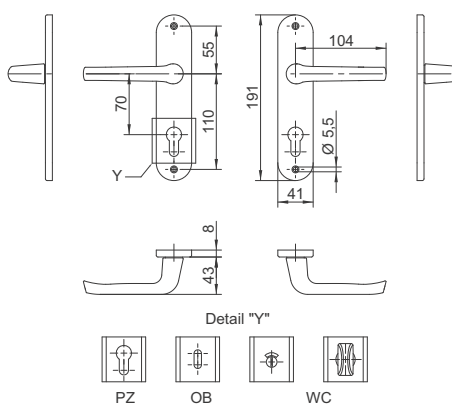
The type of hole	TS	Colour									
		9016	F1	F2	F3	F4	F9				
PZ	37-45	206-00136	206-00137	206-00138	206-00139	206-00140	206-00141				
OB	37-45	206-00142	206-00143	206-00144	206-00145	206-00146	206-00147				
WC	37-45	206-00148	206-00149	206-00150	206-00151	206-00152	206-00153				



2151/3012L

Set of door grips with extruded plates with three variants of embodiment: key, lock cylinder, WC; M4 screws, 8 mm square spindle

The type of hole	TS	Colour									
		9016	F1	F2	F3	F4	F9				
PZ	37-45	206-00154	206-00155	206-00156	206-00157	206-00158	206-00159				
OB	37-45	206-00160	206-00161	206-00162	206-00163	206-00164	206-00165				
WC	37-45	206-00166	206-00167	206-00168	206-00169	206-00170	206-00171				



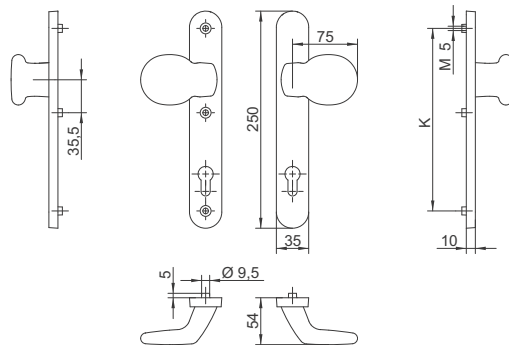


HANDRAILS, DOOR KNOBS AND STOPS

**35 G1**

Bilateral fixed knobs G1 type with plates 35, M5 screws

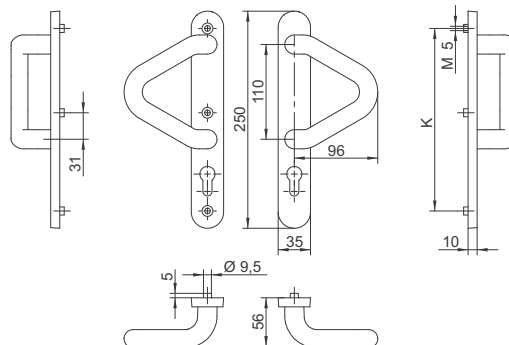
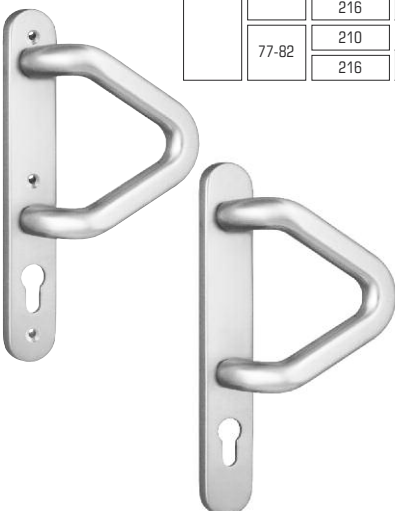
PZ	TS	Mounting spacing K	Colour									
			9016	8019	8077	F1	F4	F9				
PZ 72	67-72	210	205-00001	205-00002	205-00699	205-00003	205-00004	205-00005				
		216	205-00006	205-00007	205-00700	205-00008	205-00009	205-00010				
	77-82	210	205-00011	205-00012	205-00701	205-00013	205-00014	205-00015				
		216	205-00016	205-00017	205-00702	205-00018	205-00019	205-00020				
PZ 92	67-72	210	205-00021	205-00022	205-00703	205-00023	205-00024	205-00025				
		216	205-00026	205-00027	205-00704	205-00028	205-00029	205-00030				
	77-82	210	205-00031	205-00032	205-00705	205-00033	205-00034	205-00035				
		216	205-00036	205-00037	205-00706	205-00038	205-00039	205-00040				



**35 V**

Bilateral handrails V type with plates 35, M5 screws

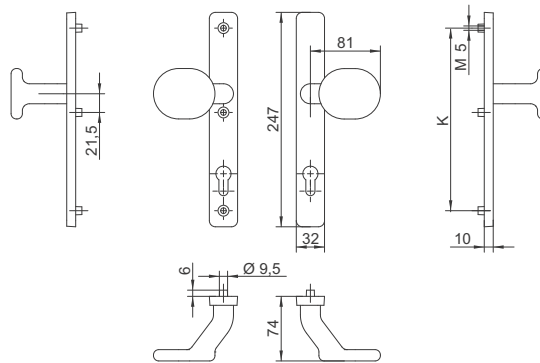
PZ	TS	Mounting spacing K	Colour									
			9016	8019	8077	F1	F4	F9				
PZ 72	67-72	210	205-00041	205-00042	205-00707	205-00043	205-00044	205-00045				
		216	205-00046	205-00047	205-00708	205-00048	205-00049	205-00050				
	77-82	210	205-00051	205-00052	205-00709	205-00053	205-00054	205-00055				
		216	205-00056	205-00057	205-00710	205-00058	205-00059	205-00060				
PZ 92	67-72	210	205-00061	205-00062	205-00711	205-00063	205-00064	205-00065				
		216	205-00066	205-00067	205-00712	205-00068	205-00069	205-00070				
	77-82	210	205-00071	205-00072	205-00713	205-00073	205-00074	205-00075				
		216	205-00076	205-00077	205-00714	205-00078	205-00079	205-00080				



**32 G3**

Bilateral fixed knobs G3 type with plates 32, M5 screws

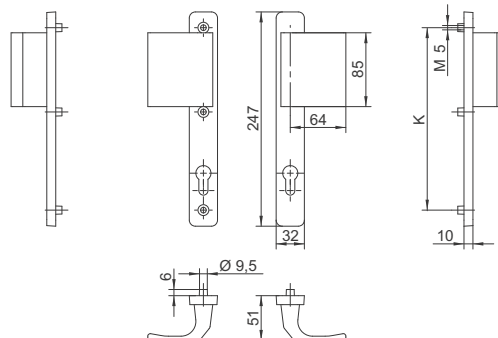
PZ	TS	Mounting spacing K	Colour									
			9016	8019	8077	F1	F4	F9				
PZ 72	67-72	210	205-00344	205-00345	205-00715	205-00346	205-00347	205-00348				
		216	205-00364	205-00365	205-00716	205-00366	205-00367	205-00368				
	77-82	210	205-00349	205-00350	205-00717	205-00351	205-00352	205-00353				
		216	205-00369	205-00370	205-00718	205-00371	205-00372	205-00373				
PZ 92	67-72	210	205-00354	205-00355	205-00719	205-00356	205-00357	205-00358				
		216	205-00374	205-00375	205-00720	205-00376	205-00377	205-00378				
	77-82	210	205-00359	205-00360	205-00721	205-00361	205-00362	205-00363				
		216	205-00379	205-00380	205-00722	205-00381	205-00382	205-00383				



**32 L1**

Bilateral handrails L1 type with plates 32, M5 screws

PZ	TS	Mounting spacing K	Colour									
			9016	8019	8077	F1	F4	F9				
PZ 72	67-72	210	205-00101	205-00102	205-00723	205-00103	205-00104	205-00105				
		216	205-00384	205-00385	205-00724	205-00386	205-00387	205-00388				
	77-82	210	205-00106	205-00107	205-00725	205-00108	205-00109	205-00110				
		216	205-00389	205-00390	205-00726	205-00391	205-00392	205-00393				
PZ 92	67-72	210	205-00111	205-00112	205-00727	205-00113	205-00114	205-00115				
		216	205-00394	205-00395	205-00728	205-00396	205-00397	205-00398				
	77-82	210	205-00116	205-00117	205-00729	205-00118	205-00119	205-00120				
		216	205-00399	205-00400	205-00730	205-00401	205-00402	205-00403				

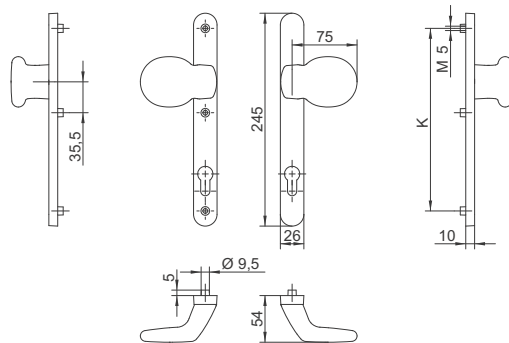




26 G1

Bilateral fixed knobs G1 type with plates 26, M5 screws

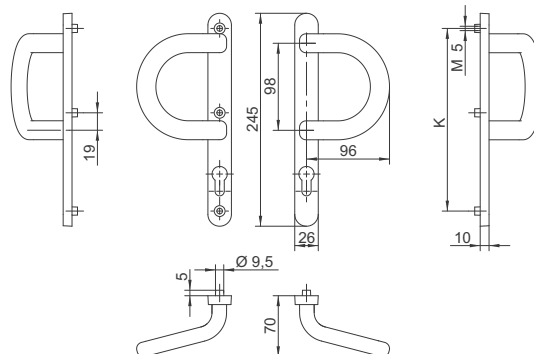
PZ	TS	Mounting spacing K	Colour						
			9016	8019	8077	F1	F4	F9	
PZ 72	67-72	210	205-00121	205-00122	205-00731	205-00123	205-00124	205-00125	
		216	205-00126	205-00127	205-00732	205-00128	205-00129	205-00130	
	77-82	210	205-00131	205-00132	205-00733	205-00133	205-00134	205-00135	
		216	205-00136	205-00137	205-00734	205-00138	205-00139	205-00140	
PZ 92	67-72	210	205-00141	205-00142	205-00735	205-00143	205-00144	205-00145	
		216	205-00146	205-00147	205-00736	205-00148	205-00149	205-00150	
	77-82	210	205-00151	205-00152	205-00737	205-00153	205-00154	205-00155	
		216	205-00156	205-00157	205-00738	205-00158	205-00159	205-00160	



26 P

Bilateral handrails P type with plates 26, M5 screws

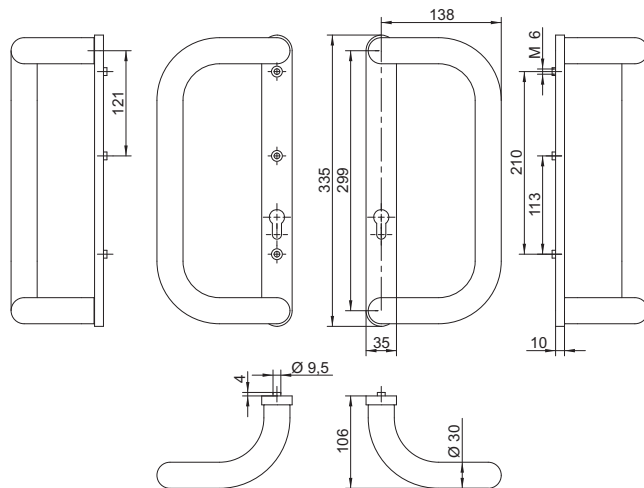
PZ	TS	Mounting spacing K	Colour						
			9016	8019	8077	F1	F4	F9	
PZ 72	67-72	210	205-00161	205-00162	205-00739	205-00163	205-00164	205-00165	
		216	205-00166	205-00167	205-00740	205-00168	205-00169	205-00170	
	77-82	210	205-00171	205-00172	205-00741	205-00173	205-00174	205-00175	
		216	205-00176	205-00177	205-00742	205-00178	205-00179	205-00180	
PZ 92	67-72	210	205-00181	205-00182	205-00743	205-00183	205-00184	205-00185	
		216	205-00186	205-00187	205-00744	205-00188	205-00189	205-00190	
	77-82	210	205-00191	205-00192	205-00745	205-00193	205-00194	205-00195	
		216	205-00196	205-00197	205-00746	205-00198	205-00199	205-00200	



**P300 D / P300 D**

Bilateral tubular handrails D type with plates 35-300, M6 screws

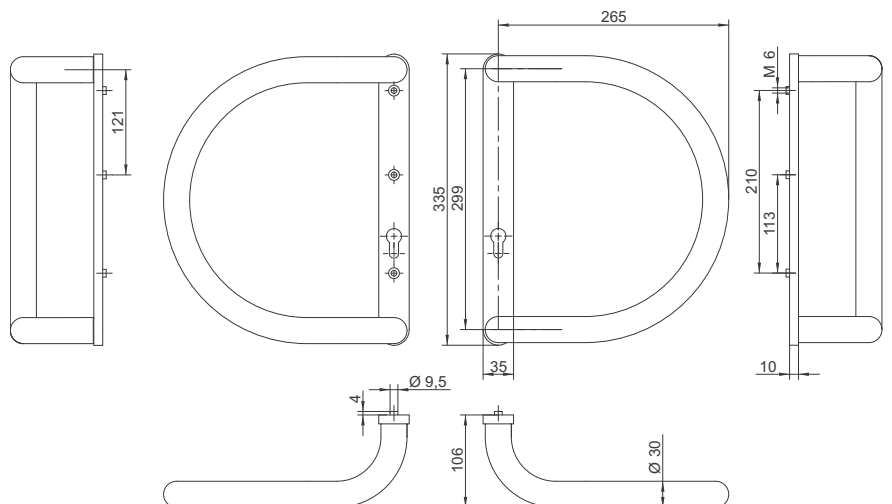
PZ	TS	Colour								
		9016	8019	8077	F1	F4	F9			
PZ 72	67-72	205-00201	205-00202	205-00747	205-00203	205-00204	205-00205			
	77-82	205-00206	205-00207	205-00748	205-00208	205-00209	205-00210			
PZ 92	67-72	205-00211	205-00212	205-00749	205-00213	205-00214	205-00215			
	77-82	205-00216	205-00217	205-00750	205-00218	205-00219	205-00220			



**P300 O / P300 O**

Bilateral tubular handrails O type with plates 35-300, M6 screws

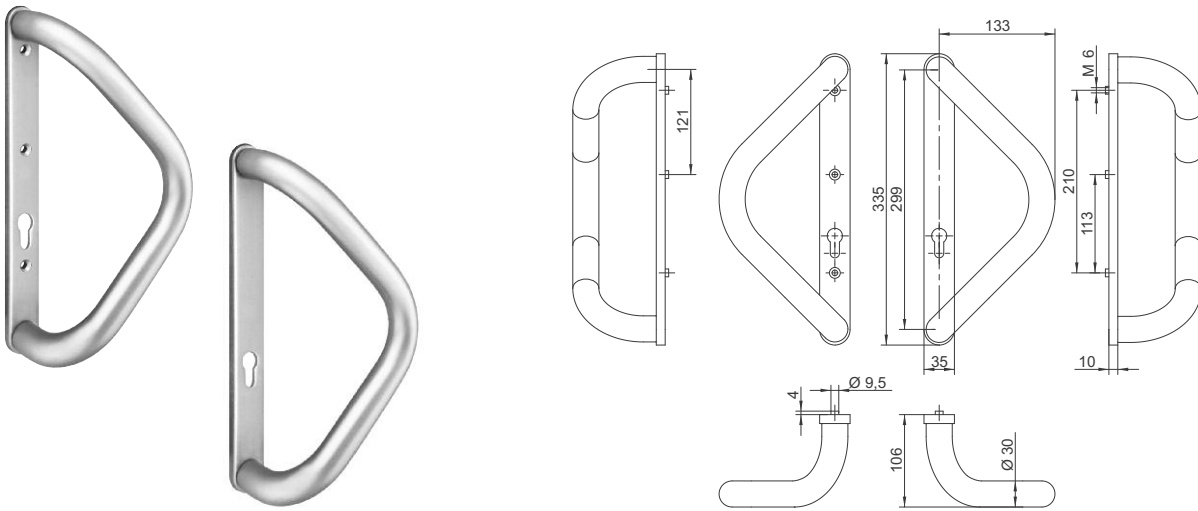
PZ	TS	Colour								
		9016	8019	8077	F1	F4	F9			
PZ 72	67-72	205-00221	205-00222	205-00751	205-00223	205-00224	205-00225			
	77-82	205-00226	205-00227	205-00752	205-00228	205-00229	205-00230			
PZ 92	67-72	205-00231	205-00232	205-00753	205-00233	205-00234	205-00235			
	77-82	205-00236	205-00237	205-00754	205-00238	205-00239	205-00240			



**P300 V / P300 V**

Bilateral tubular handrails V type with plates 35-300, M6 screws

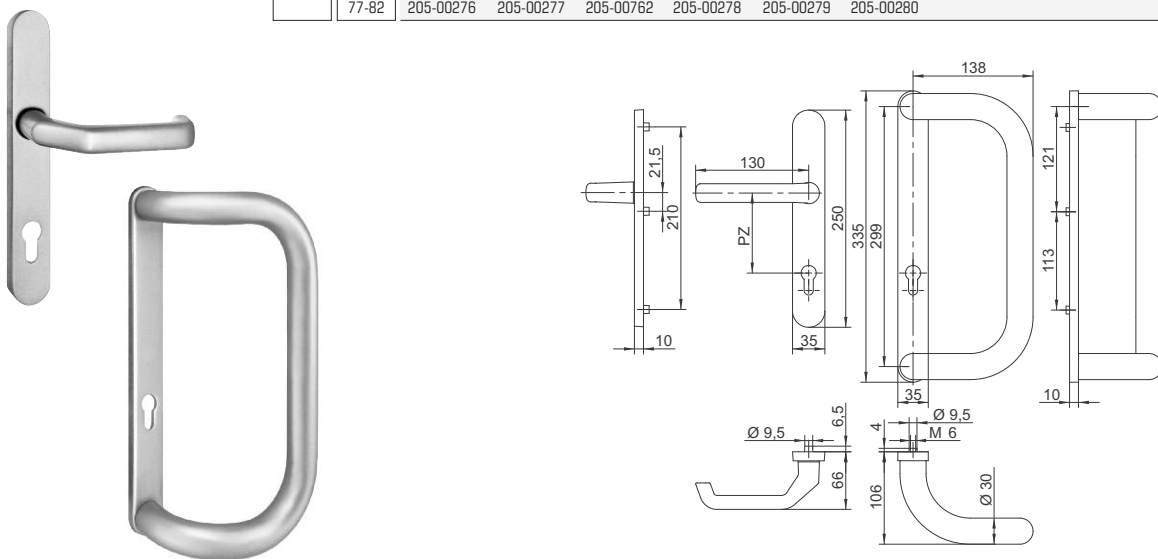
PZ	TS	Colour								
		9016	8019	8077	F1	F4	F9			
PZ 72	67-72	205-00241	205-00242	205-00755	205-00243	205-00244	205-00245			
	77-82	205-00246	205-00247	205-00756	205-00248	205-00249	205-00250			
PZ 92	67-72	205-00251	205-00252	205-00757	205-00253	205-00254	205-00255			
	77-82	205-00256	205-00257	205-00758	205-00258	205-00259	205-00260			



**35/1200 / P300 D**

A set consists of a door grip and a D tubular handrail and plates, equipped with a one-side mechanism facilitating the handle movement, M6 screws, 8mm square spindle

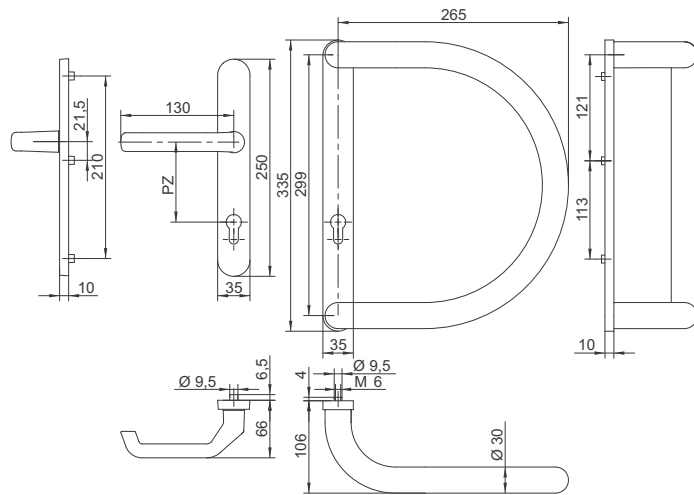
PZ	TS	Colour								
		9016	8019	8077	F1	F4	F9			
PZ 72	67-72	205-00261	205-00262	205-00759	205-00263	205-00264	205-00265			
	77-82	205-00266	205-00267	205-00760	205-00268	205-00269	205-00270			
PZ 92	67-72	205-00271	205-00272	205-00761	205-00273	205-00274	205-00275			
	77-82	205-00276	205-00277	205-00762	205-00278	205-00279	205-00280			



**35/1200 / P300 O**

Set consisting of door grip, tubular handrail O type and plates equipped with one-side mechanism facilitating movement of the handle, M6 screws, 8 mm square spindle

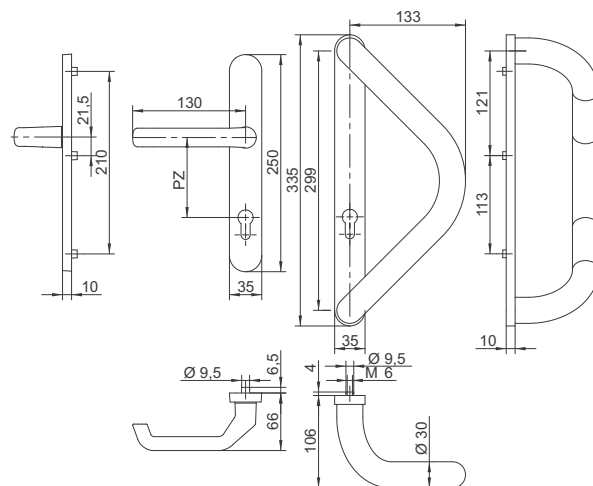
PZ	TS	Colour								
		9016	8019	8077	F1	F4	F9			
PZ 72	67-72	205-00281	205-00282	205-00763	205-00283	205-00284	205-00285			
	77-82	205-00286	205-00287	205-00764	205-00288	205-00289	205-00290			
PZ 92	67-72	205-00291	205-00292	205-00765	205-00293	205-00294	205-00295			
	77-82	205-00296	205-00297	205-00766	205-00298	205-00299	205-00300			



**35/1200 / P300 V**

Set consisting of door grip, tubular handrail V type and plates equipped with one-side mechanism facilitating movement of the handle, M6 screws, 8 mm square spindle

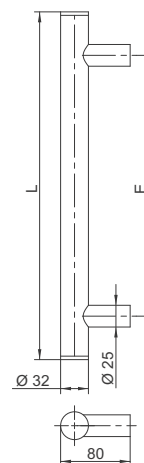
PZ	TS	Colour								
		9016	8019	8077	F1	F4	F9			
PZ 72	67-72	205-00301	205-00302	205-00767	205-00303	205-00304	205-00305			
	77-82	205-00306	205-00307	205-00768	205-00308	205-00309	205-00310			
PZ 92	67-72	205-00311	205-00312	205-00769	205-00313	205-00314	205-00315			
	77-82	205-00316	205-00317	205-00770	205-00318	205-00319	205-00320			



**PR I**

Straight tubular handrail

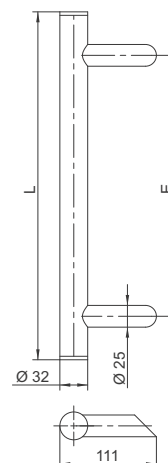
L	E	Colour
		ES
400	300	205-00321
600	400	205-00322
800	600	205-00323
1000	800	205-00324
1200	1000	205-00325
1400	1200	205-00326
2000	1800	205-00327



**PR II**

Oblique tubular handrail

L	E	Colour
		ES
400	300	205-00328
600	400	205-00329
800	600	205-00330
1000	800	205-00331
1200	1000	205-00332
1400	1200	205-00333
1800	1300	205-00771
2000	1800	205-00334





# MOUNTING ELEMENTS

**FKS**



Configuration of spindles and screws for balcony and door sets

### Balcony set

Table 1.1 Balcony sets

Set: four M5 screws and 7mm square spindle

TS	Length of screws	Spindle length	Code
58-63	M5x65	7x125	212-00001
63-68	M5x70	7x130	212-00002
68-73	M5x75	7x135	212-00003
73-78	M5x80	7x140	212-00004
78-83	M5x85	7x145	212-00005

### Balcony set

Table 1.2 Balcony sets for shutters

Set: four M5 screws and 7mm square spindle

TS	Length of screws	Spindle length	Code
58-63	M5x65	7x115	212-00006
63-68	M5x70	7x120	212-00007
68-73	M5x75	7x125	212-00008
73-78	M5x80	7x130	212-00009
78-83	M5x85	7x135	212-00010

### M5 set

Table 2.1 Sets for profile doors.

Set: three M5 screws and 8mm square spindle

TS	Length of screws	Spindle length	Code
57-62	M5x70	8x120	212-00011
62-67	M5x75	8x130	212-00012
67-72	M5x80	8x130	212-00013
72-77	M5x85	8x140	212-00014
77-82	M5x90	8x140	212-00015
82-87	M5x95	8x150	212-00016
87-92	M5x100	8x150	212-00017
92-97	M5x105	8x160	212-00018
97-102	M5x110	8x160	212-00019

Configuration of spindles and screws for balcony and door sets

### M5 set

Table 2.2 Sets for profile doors with a knob or a handrail

Set: three M5 screws and 8mm square spindle

TS	Length of screws	Spindle length	Code
57-62	M5x70	8x90	212-00020
62-67	M5x75	8x100	212-00021
67-72	M5x80	8x100	212-00022
72-77	M5x85	8x110	212-00023
77-82	M5x90	8x110	212-00024
82-87	M5x95	8x120	212-00025
87-92	M5x100	8x120	212-00026
92-97	M5x105	8x130	212-00027
97-102	M5x110	8x130	212-00028

### M6 set

Table 2.3 Sets for profile/ anti-burglary doors (35)

Set: three M6 screws and 8mm square spindle

TS	Length of screws	Spindle length	Code
37-42	M6x50	8x100	212-00029
42-47	M6x55	8x110	212-00030
47-52	M6x60	8x110	212-00031
52-57	M6x65	8x120	212-00032
57-62	M6x70	8x120	212-00033
62-67	M6x75	8x130	212-00034
67-72	M6x80	8x130	212-00035
72-77	M6x85	8x140	212-00036
77-82	M6x90	8x140	212-00037
82-87	M6x95	8x150	212-00038
87-92	M6x100	8x150	212-00039
92-97	M6x105	8x160	212-00040
97-102	M6x110	8x160	212-00041
102-107	M6x115	8x170	212-00042
107-112	M6x120	8x170	212-00043
112-117	M6x125	8x180	212-00044



Configuration of spindles and screws for balcony and door sets

### M6 set

Table 2.4 Sets for profile/ anti-burglary doors (35) with a knob or a handrail  
Set: three M6 screws and 8mm square spindle

TS	Length of screws	Relieved spindle length	Code
37-42	M6x50	8x70	212-00045
42-47	M6x55	8x80	212-00046
47-52	M6x60	8x80	212-00047
52-57	M6x65	8x90	212-00048
57-62	M6x70	8x90	212-00049
62-67	M6x75	8x100	212-00050
67-72	M6x80	8x100	212-00051
72-77	M6x85	8x110	212-00052
77-82	M6x90	8x110	212-00053
82-87	M6x95	8x120	212-00054
87-92	M6x100	8x120	212-00055
92-97	M6x105	8x130	212-00056
97-102	M6x110	8x130	212-00057
102-107	M6x115	8x140	212-00058
107-112	M6x120	8x140	212-00059
112-117	M6x125	8x150	212-00060

### M6 set

Table 2.5 Set for profile/ anti-burglary doors (52)

Set: three M6 screws with increased strength and 8mm square spindle

TS	Length of screws	Relieved spindle length	Code
67-72	M6x80/10.9	8x130	212-00158
72-77	M6x85/10.9	8x140	212-00159
77-82	M6x90/10.9	8x140	212-00160
82-87	M6x95/10.9	8x150	212-00161
87-92	M6x100/10.9	8x150	212-00162
92-97	M6x105/10.9	8x160	212-00163
97-102	M6x110/10.9	8x160	212-00164
102-107	M6x115/10.9	8x170	212-00165
107-112	M6x120/10.9	8x170	212-00166
112-117	M6x125/10.9	8x180	212-00167

Configuration of spindles and screws for balcony and door sets

### M6 set

Table 2.6 Set for profile/ anti-burglary doors (52) with a knob or a handrail  
Set: three M6 screws with increased strength and 8mm square spindle

TS	Length of screws	Relieved spindle length	Code
67-72	M6x80/10.9	8x100	212-00168
72-77	M6x85/10.9	8x110	212-00169
77-82	M6x90/10.9	8x110	212-00170
82-87	M6x95/10.9	8x120	212-00171
87-92	M6x100/10.9	8x120	212-00172
92-97	M6x105/10.9	8x130	212-00173
97-102	M6x110/10.9	8x130	212-00174
102-107	M6x115/10.9	8x140	212-00175
107-112	M6x120/10.9	8x140	212-00176
112-117	M6x125/10.9	8x150	212-00177

Table 2.7 HST mounting sets - handle/ handle

TS	Length of screws	Relieved spindle length	Code
67-72	M6x85	10x160mm	212-00125
72-77	M6x90	10x165mm	212-00412
77-82	M6x95	10x170mm	212-00126
82-87	M6x100	10x175mm	212-00413
87-92	M6x105	10x180mm	212-00127
92-97	M6x110	10x185mm	212-00414
97-102	M6x115	10x190mm	212-00415
102-107	M6x120	10x195mm	212-00416
107-112	M6x125	10x200mm	212-00417
112-117	M6x130	10x210mm	212-00418

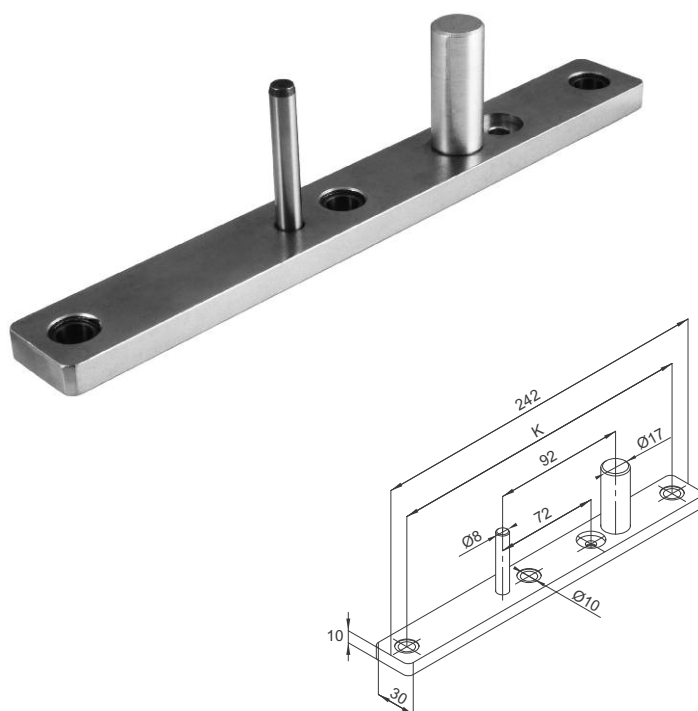
Table 2.8 HST mounting sets handle/ grip

TS	Length of screws	Relieved spindle length	Code
67-72	M6x80	10x100mm	212-00129
72-77	M6x85	10x105mm	212-00419
77-82	M6x90	10x110mm	212-00130
82-87	M6x95	10x115mm	212-00386
87-92	M6x100	10x120mm	212-00131
92-97	M6x105	10x125mm	212-00420
97-102	M6x110	10x130mm	212-00421
102-107	M6x115	10x135mm	212-00422
107-112	M6x120	10x140mm	212-00423
112-117	M6x125	10x150mm	212-00424

Table 2.9 HST mounting sets handle/ shutter

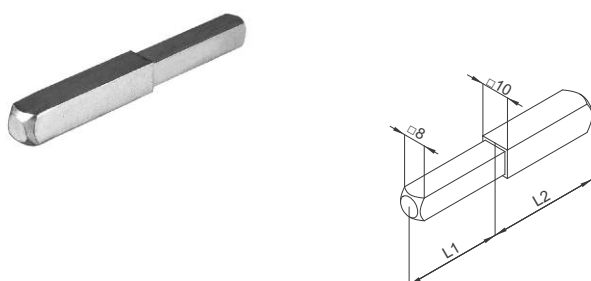
TS	Length of screws	Relieved spindle length	Code
67-72	M6x85	10x140mm	212-00425
72-77	M6x90	10x145mm	212-00426
77-82	M6x95	10x150mm	212-00427
82-87	M6x100	10x155mm	212-00428
87-92	M6x105	10x160mm	212-00429
92-97	M6x110	10x165mm	212-00430
97-102	M6x115	10x170mm	212-00431
102-107	M6x120	10x175mm	212-00432
107-112	M6x125	10x180mm	212-00433
112-117	M6x130	10x190mm	212-00434

TEMPLATE FOR DRILLING HOLES IN DOORS



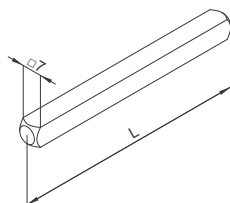
Description	Mounting spacing K	Code
Drilling template	210	548-00036
	216	548-00215

ONE-SIDE GRADUATED SPINDLES

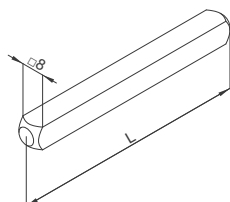


Dimension	Length L	Code
□ 8/10mm	8/10x70	700-00201
	8/10x80	700-00202
	8/10x90	700-00203
	8/10x100	700-00204
	8/10x110	700-00205

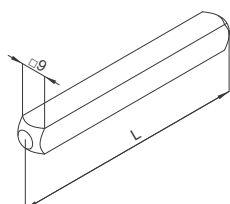
**SPINDLES**



7 mm



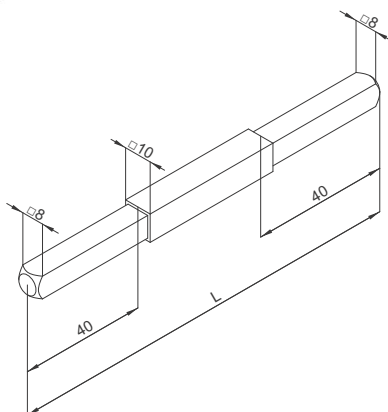
8 mm



9 mm

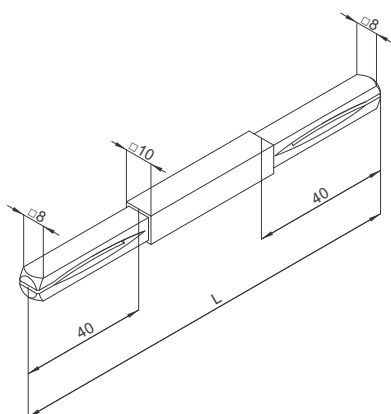
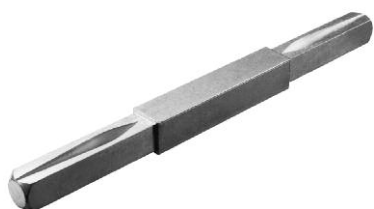
Dimension	Length L	Code
□ 7mm	55	545-00051
	60	545-00039
	65	545-00012
	75	545-00057
	90	545-00076
	110	545-00015
□ 8mm	65	545-00160
	70	545-00167
	80	545-00173
	90	545-00184
	100	545-00154
	115	545-00157
	120	545-00004
	130	545-00145
	135	545-00166
	140	545-00148
	145	545-00172
	150	545-00151
	155	545-00013
	160	545-00193
□ 9mm	110	700-00798
	130	700-00799
	150	700-00800

**BOTH-SIDED GRADUAL SPINDLES**



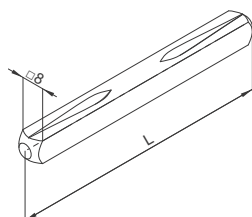
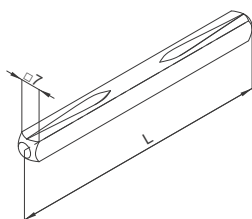
Dimension	Length L	Code
□ 8/10/8mm	80	700-00189
	90	700-00190
	100	700-00191
	110	700-00192
	130	700-00193

**BOTH-SIDED GRADUAL SPINDLES WITH DOUBLE NOTCH**



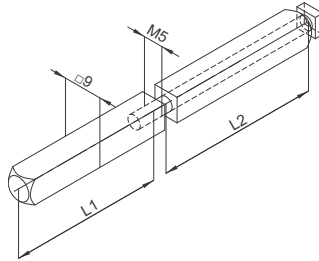
Dimension	Length L	Code
□ 8/10/8mm	80	700-00820
	90	700-00821
	100	700-00822
	110	700-00823
	130	700-00824

**SPINDLES WITH NOTCH ON BOTH SIDES**



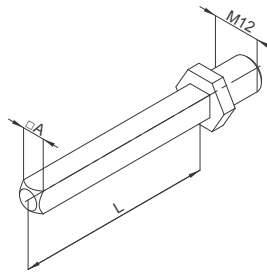
Dimension	Length L	Code
□ 7mm	80	700-00825
	90	700-00826
	100	700-00827
	110	700-00828
	130	700-00829
□ 8mm	80	700-00830
	90	700-00831
	100	700-00832
	110	700-00833
	130	700-00834

**ANTI-PANIC SPINDLES**



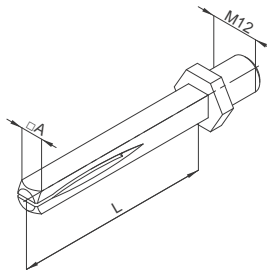
Dimension	Length L1+L2	Code
□ 9mm	80 (40+40)	700-00835
	96 (48+48)	700-00836
	110 (55+55)	700-00837
	120 (60+60)	700-00838
	130 (65+65)	700-00839
	150 (75+75)	700-00840

**SPINDLES WITH SCREW FOR HANDLE-KNOBS**



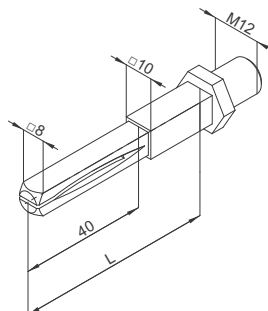
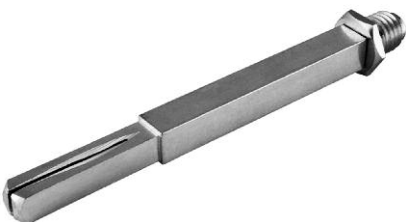
Dimension A	Length L	Code
□ 8mm	70	700-01201
	75	700-01202
	85	700-01203
	95	700-01204
	100	700-01205
	115	700-00315
□ 9mm	100	700-00788
	120	700-00787

**SPINDLES WITH NOTCH WITH SCREW FOR HANDLE-KNOBS**



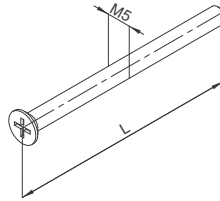
Dimension A	Length L	Code
□ 8mm	90	700-00807
	95	700-00808
	100	700-00809
	115	700-00810
	130	700-00965
	140	700-00812
□ 9mm	100	700-00813
	115	700-00814

**GRADUAL SPINDLES WITH NOTCH WITH SCREW FOR HANDLE-KNOBS**



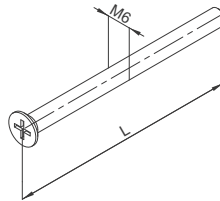
Dimension	Length L	Code
□ 8/10mm	80	700-00815
	115	700-00816
	125	700-00817
	135	700-00818
	150	700-00819

**M5 SCREWS**



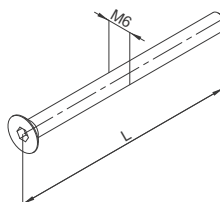
Dimension	Length L	Code
M5	55	700-00128
	60	700-00129
	65	700-00130
	70	700-00131
	75	700-00132
	80	700-00133
	85	700-00134
	90	700-00135
	100	700-00138
120	700-00140	

**M6 SCREWS**



Dimension	Length L	Code
M6	55	700-00144
	60	700-00145
	65	700-00146
	70	700-00147
	80	700-00148
	85	700-00149
	90	700-00150
	95	700-00151
	100	700-00152
	120	700-00153

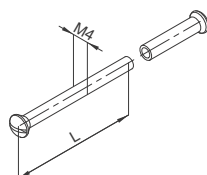
**M6 MOUNTING SCREWS WITH INCREASED STRENGTH**



Dimension	Length L	Code
M6	50	700-00159
	55	700-00160
	60	700-00161
	70	700-00162
	80	700-00163
	90	700-00164
	100	700-00165

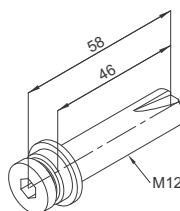


SET OF SCREWS FOR INTERNAL EXTRUDED SIGNS



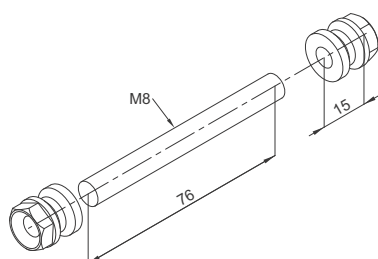
Dimension	Length L	Code
M4	45	212-00061

ONE-SIDED SCREW FOR TUBULAR HANDRAILS PRI AND PRII



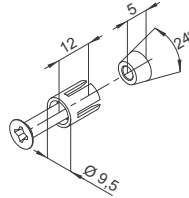
Dimension	Length L	Code
M12	58	700-00188

TWO-SIDED SCREW FOR TUBULAR HANDRAILS PRI AND PRII



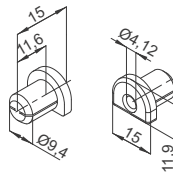
Dimension	Length L	Code
M8	76	700-00879

**BRASS DOWEL**



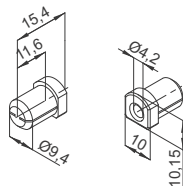
Description	Code
Brass dowel M5	700-00357
Brass dowel M6	700-00841

**PLASTIC DOWEL FOR PLATES 35A**



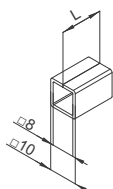
Description	Code
Plastic dowel for plates 35A	549-00043

**PLASTIC DOWEL FOR ROSETTES R32**



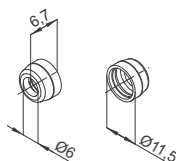
Description	Code
Plastic dowel for plates R32	549-00044

**SPINDLE REDUCTION OF DOOR HANDLES**



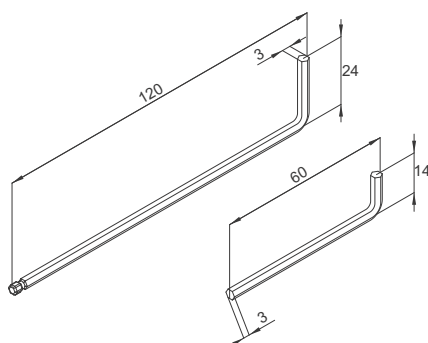
Dimension	Length	Code
□ 10/ □ 8mm	20	548-00180
	30	548-00214

**WINDOW ROSETTES SPINDLE**



Description	Code
Window rosettes spindle Ø12	549-00005

**ALLEN KEYS**



Opis	Code	
⊙ 3	L= 120 (with ball)	700-00350
	L=60	700-00351







**FKS**

**OKUCIA OKIENNE I DRZWIOWE Sp. z o.o.**  
Bronikowo, ul. Morownicka 1c, 64-030 Śmigiel  
tel. +48 65 51 88 024, tel./fax +48 65 51 88 030  
mail: fks@fks.home.pl, zamowienia@ifks.pl

[www.fks.home.pl](http://www.fks.home.pl)